



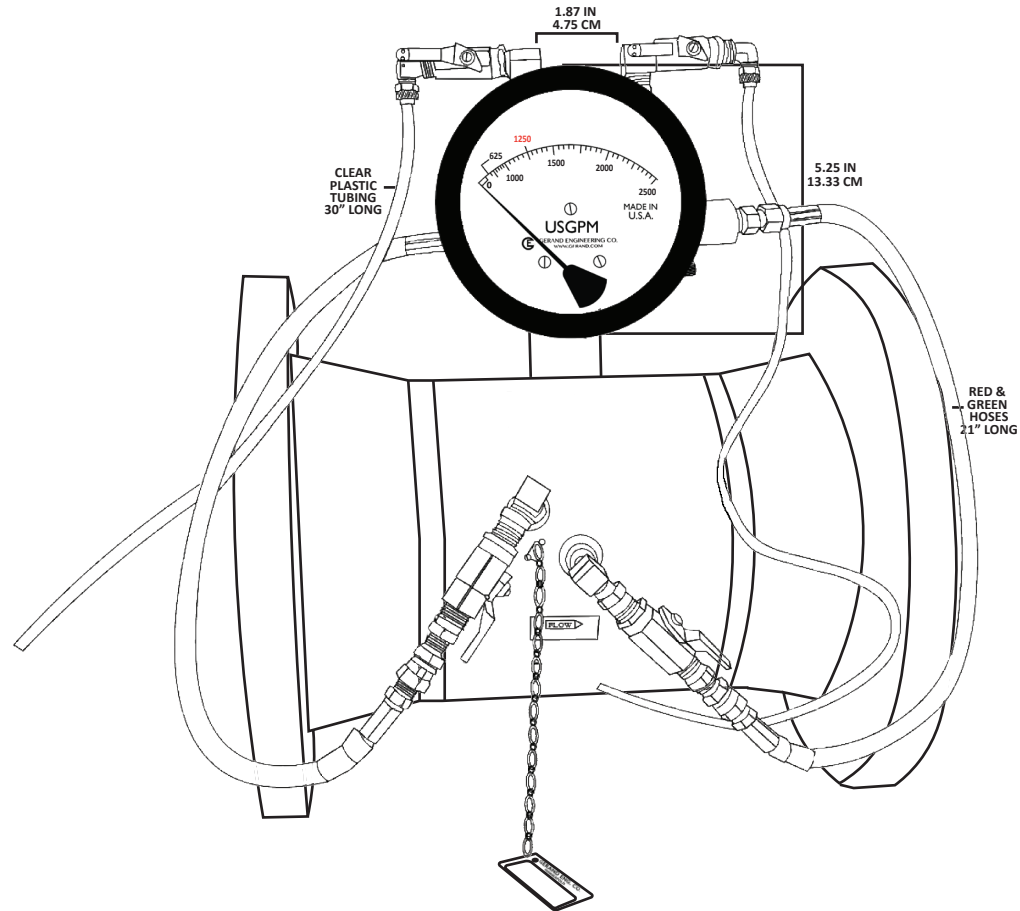
GERAND ENGINEERING

141 CHESHIRE LANE N, SUITE 100, MINNEAPOLIS MN 55441
952.374.1320 WWW.GERAND.COM

FIRE PUMP TEST METER G-1250-6

CONSTRUCTION & SPECIFICATIONS

- VENTURI: ZINC PLATED STEEL
- VALVES: ONE PIECE BRASS BODY
ZINC DIECAST STEEL HANDLE
- ID TAG: Chain: brass
Tag: Aluminum
- HOSES: GOODYEAR 3/6" FREON CHARGE HOSES WITH NYTRILE CORE, POLYESTER BRAID AND NYTRILE COVER WITH PVC FOR ABRASION RESISTANCE

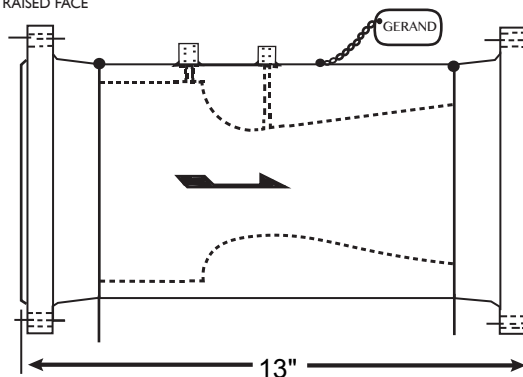


METER DATA

- CONSTRUCTION: ALUMINUM BODY
- OPERATION: BUNA "N" DIAPHRAGM
- ACCURACY: $\pm 2.0\%$
- TEMPERATURE: 200° F MAX
- PRESSURE: 1500 PSI MAX
- APPROX. WEIGHT: 3 LBS/EACH

4 1/2" DIAL STANDARD - 6" AVAILABLE

WELD-NECK FLANGES
RAISED FACE



WEIGHTS & DIMENSIONS

- WEIGHT: 71 LBS
- SHIPPING DIMENSIONS: 13" x 13" x 21" BOX