

# FIRE PUMP TEST METER K-1250-8

## CONSTRUCTION & SPECIFICATIONS

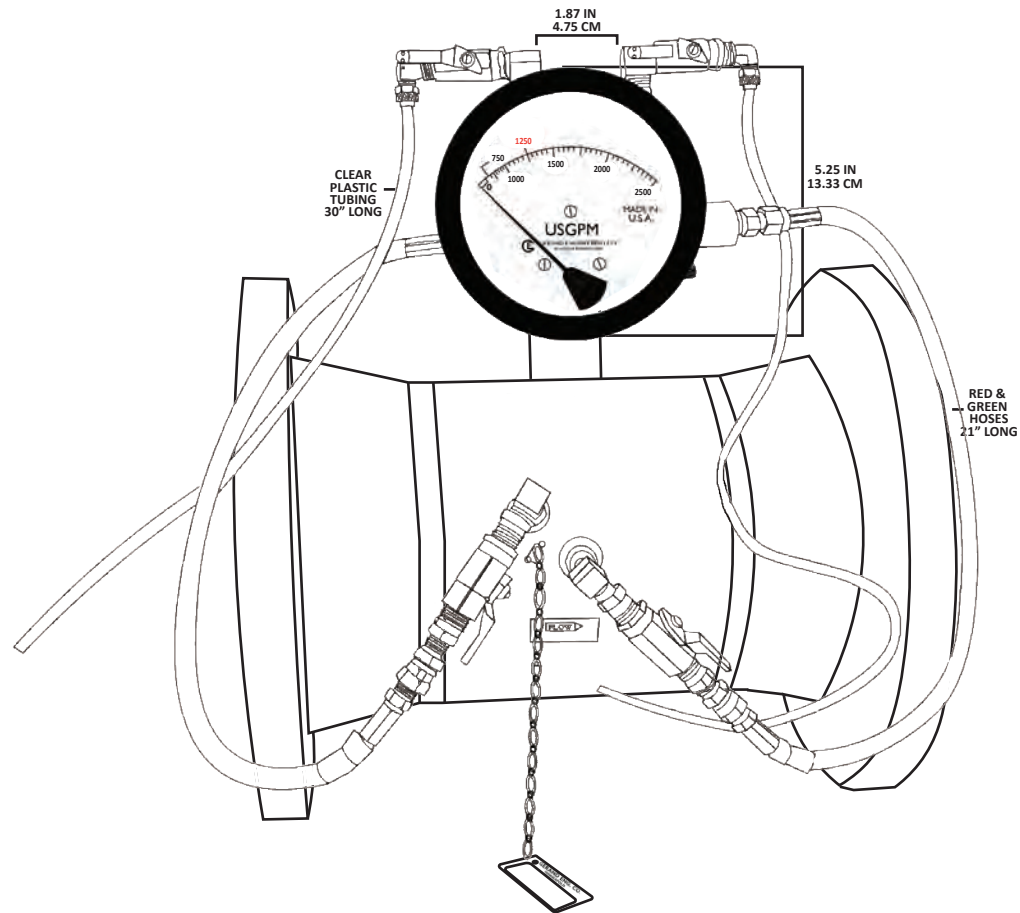
**MATERIALS:** CA36 ASTM B16 BRASS

**VALVES:** RATED AT 600 WOG  
 VALVE BODY: CAST BRONZE ASTM B584  
 TAIL PIECE: CA-360 B-16  
 BALL: BRASS CA-360 HARD CHROME P  
 LATED SEALS: REINFORCED PTFE, 15%  
 GLASS FILLED HANDLE: STEEL ASTM B633  
 W/ZINC PLATING

**BRASS FITTING:** PIPE NIPPLE - B16 / 1/8" NEEDLE VALVE-B16  
 DISCONNECTS-B16

**ID TAG:** CHAIN: BRASS  
 TAG: ALUMINUM -3.21" THICK #200 MILL  
 SET SCREW: STEEL ZINC PLATED

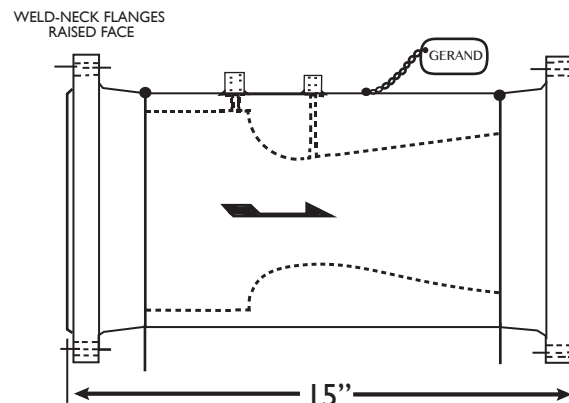
**HOSES:** GOODYEAR 3/16" FREON CHARGING HOSES  
 WITH NYTRIEE CORE, POLYESTER BRAID  
 AND NYTRILE COVER WITH PVC  
 FOR ABRASION RESISTANCE.



## METER DATA

**CONSTRUCTION:** ALUMINUM BODY  
**OPERATION:** BUNA "N" DIAPHRAGM  
**ACCURACY:** ±2.0%  
**TEMPERATURE:** 200° F MAX  
**PRESSURE:** 1500 PSI MAX  
**APPROX. WEIGHT:** 3 LBS/EACH

4 1/2" DIAL STANDARD - 6" AVAILABLE



## WEIGHTS & DIMENSIONS

**WEIGHT:** 125 LBS

**SHIPPING DIMENSIONS:** 16" x 16" x 27"  
 with PALLET