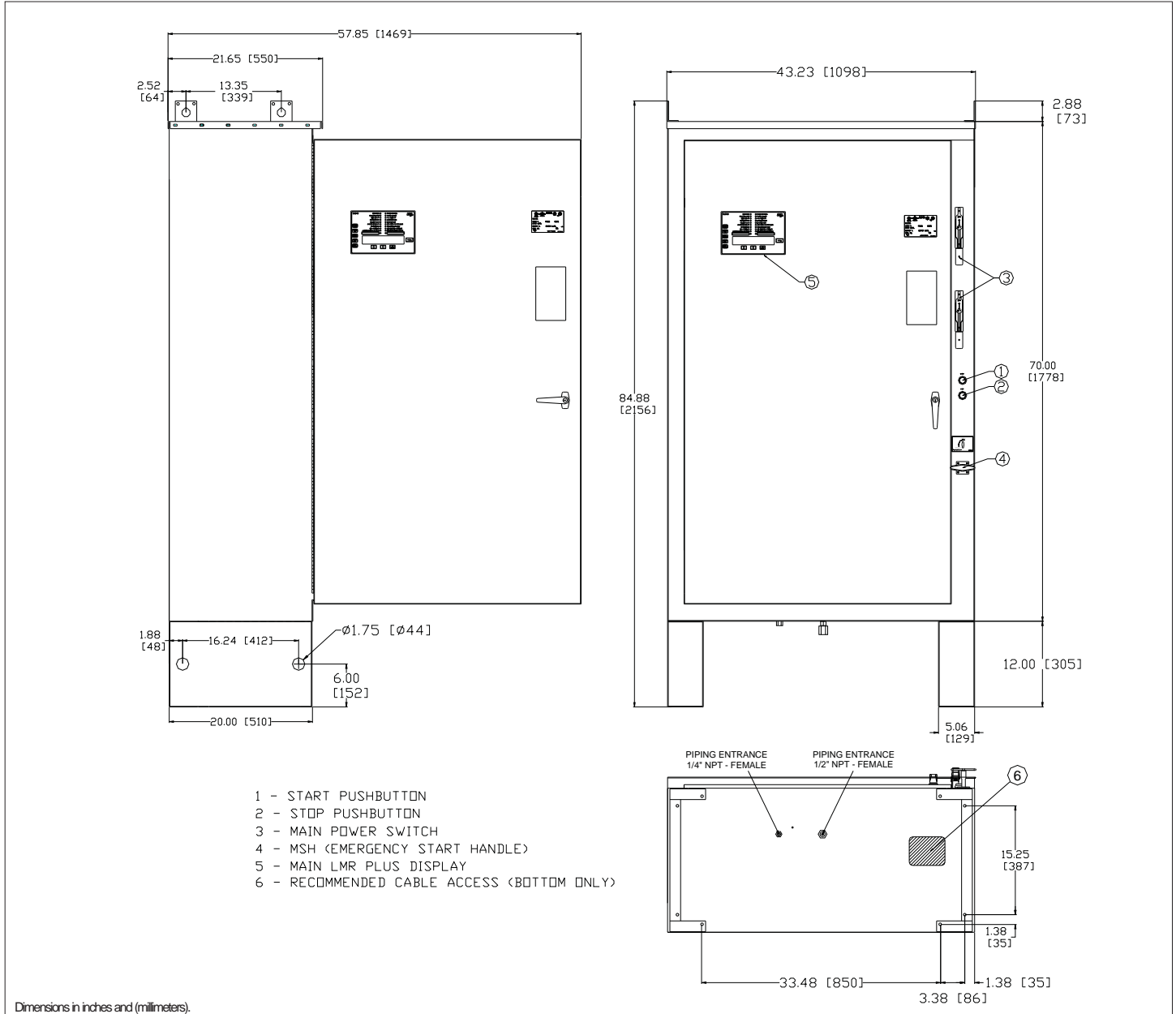


Dimensions

Standard Enclosure - Type NEMA 2, 3R, 12



Motor Hp	Line Voltage	Withstand Rating			Approx. Weight Lbs. (Kg)
		Standard	Intermediate	High	
200 - 250	200 - 208V	100,000	Consult Factory	Consult Factory	575 (260)
250 - 300	220 - 240V				
350 - 500	* 380 - 415V				
450 - 600	440 - 480V				
550 - 700	550 - 600V	25,000	35,000		

* Coils available: 380V-50Hz, 380V-60Hz, 415V-50Hz, 415V-60Hz



NOTES:
1. All enclosures finished in FirePump red.
2. Cable Entrance bottom only.
3. Standard Enclosure type NEMA 2.