

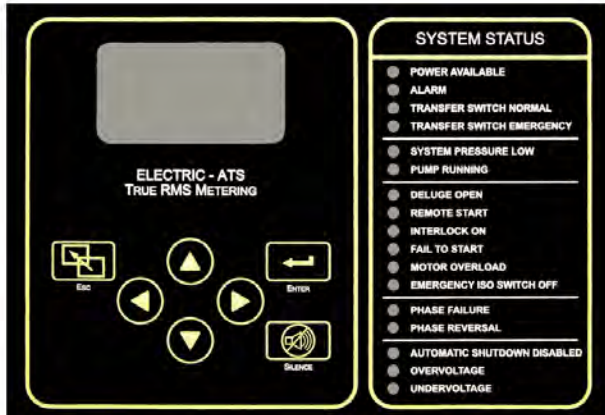
**FTA1300  
WYE-DELTA OPEN FIRE PUMP  
CONTROLLERS**

**STANDARD SUBMITTAL PACKAGE**

***Firetrol***<sup>®</sup>

NOTE: The drawings included herein are for standard controllers.  
Actual "as built" drawings may differ from those seen here.

# FTA1300 Wye-Delta, Open Transition Starting Electric Fire Pump Controllers Product Description



**Description**—Firetrol® FTA1300 Wye-Delta, Open Transition Starting Fire Pump Controllers are used with delta-wound squirrel cage motors. FTA1300 controllers are of the open circuit transition type in which the motor circuit is opened during the transition from start to run. The controller monitors, displays and records fire pump system information.

Actuating the controller by the pressure switch, START push-button or deluge valve contact closes the start contactor connecting the motor to the line in the wye connection. The motor will draw approximately 33% of its normal inrush current and develop approximately 33% of its normal starting torque. After a time delay, the motor is automatically reconnected in delta, applying full voltage to the motor windings. These controllers are recommended especially for use with generator sets.

**Approvals** – Firetrol fire pump controllers are listed by Underwriters' Laboratories, Inc., in accordance with UL218, *Standard for Fire Pump Controllers*, CSA, *Standard for Industrial Control Equipment*, and approved by Factory Mutual. They are built to meet or exceed the requirements of the approving authorities as well as NEMA and the latest editions of NFPA 20, *Installation of Centrifugal Fire Pumps*, and NFPA 70, *National Electrical Code*.

**Standard Features**—The following are included as standard with each controller:

- Voltage surge protector
- Main Disconnect Switch sized for connected motor horsepower and voltage
- Fire pump Circuit Breaker
- Single handle Isolating Disconnect Switch/Circuit Breaker mechanism
- Motor contactor
- Emergency Manual Run Mechanism to mechanically close motor contactor contacts in an emergency condition
- Built-in Start and Stop push-buttons to bypass automatic start circuits
- Minimum Run Timer / Off Delay Timer

- Daylight Savings Time Option
- Weekly Test Timer
- Elapsed Time Meter
- Door mounted display/interface panel featuring a 128 x 64 pixel backlit LCD Graphical Display, Membrane Type User Control Push-buttons and easy to read LED Indicators for:
  - POWER AVAILABLE
  - ALARM
  - TRANSFER SWITCH NORMAL (If unit ordered with Automatic Power Transfer Switch)
  - TRANSFER SWITCH EMERGENCY (If unit ordered with Automatic Power Transfer Switch)
  - SYSTEM PRESSURE LOW
  - PUMP RUNNING
  - DELUGE OPEN
  - REMOTE START
  - INTERLOCK ON
  - FAIL TO START
  - MOTOR OVERLOAD
  - EMERGENCY ISO SWITCH OFF (If unit ordered with Automatic Power Transfer Switch)
  - PHASE FAILURE
  - PHASE REVERSAL
  - AUTOMATIC SHUTDOWN DISABLED
  - OVERVOLTAGE
  - UNDERVOLTAGE
- Digital Pressure Display
- USB Host Controller and Port
- Solid State Pressure Transducer
- Data Log
- Event Log (3000 Events)
- True RMS Metering with simultaneous 3 Phase Display of Amps, Volts, Frequency, Pressure and Alarm Messages
- Disk Error message
- Disk Near Full message
- Pressure Error message
- Motor Over 320% message
- Local Start message
- Remote Start message
- Emergency Start message
- Fail To Start message
- Undervoltage message
- Overvoltage message
- NEMA Type 2 (IEC IP22) enclosure
- Suitable for use as Service Equipment
- Each standard controller comes with user set options for:
  - Interlock Alarm
  - Low Pressure Audible
  - Low Suction
  - Pump Run
  - User Defined Input
  - Weekly Test

**Firetrol®**

**EMERSON**  
Network Power

# FTA1000 — FTA1930 Electric Fire Pump Controllers Specifications

## Main Fire Pump Controller

The main fire pump controller shall be a factory assembled, wired and tested unit and shall conform to all the requirements of the latest edition of NFPA 20, Standard for the Installation of Stationary Pumps for Fire Protection and NFPA 70, National Electrical Code.

The controller shall be listed by Underwriters Laboratories, Inc., in accordance with UL218, Standard for Fire Pump Controllers, CSA, and Canadian Standards Association CSA-C22.2, Standard for Industrial Control Equipment (cULus), approved by Factory Mutual and approved by the City of New York for fire pump service.

## Starting Method

The controller shall be of the combined manual and automatic type designed for:

- Full Voltage Starting
- Wye (Star)-Delta Open Transition Starting
- Wye (Star)-Delta Closed Transition Starting
- Part Winding Starting
- Primary Resistance Reduced Voltage Starting
- Autotransformer Reduced Voltage Starting
- Digital Soft Start Reduced Current Starting

of the fire pump motor having the horsepower, voltage, phase and frequency rating shown on the plans and drawings. The controller components shall be housed in a NEMA Type 2 (IEC IP22) drip-proof, wall mounted enclosure.

## Withstand Ratings (Short Circuit Current Ratings)

All controller components shall be front mounted, wired and front accessible for maintenance. The minimum withstand rating of the controllers shall not be less than 100,000 Amps RMS Symmetrical at 200-600 Volts\*. If the available system fault current exceeds these ratings, the controllers shall be supplied with a withstand rating of 150,000 or 200,000 Amps RMS Symmetrical, as required.

\*Note: 100,000 Amp withstand rating not available in some larger horsepower. Consult factory for details.

## Isolation Switch and Circuit Breaker

The controller shall include a motor rated combination isolating disconnect switch/circuit breaker, mechanically interlocked and operated with a single, externally mounted handle. When moving the handle from OFF to ON, the interlocking mechanism shall sequence the isolating disconnect switch ON first, and then the circuit breaker. When the handle is moved from ON to OFF, the interlocking mechanism shall sequence the circuit breaker OFF first, and then the isolating disconnect switch.

The isolating disconnect switch/circuit breaker shall be mechanically interlocked so that the enclosure door cannot be opened with the handle in the ON position except by a hidden tool operated bypass mechanism. The isolating disconnect switch/circuit breaker shall be capable of being padlocked in the OFF position for installation and maintenance safety, and shall also be capable of being locked in the ON position without affecting the tripping characteristics of the circuit breaker. The controller door shall have a locking type handle and three point cam and roller vault type hardware. The circuit breaker

trip curve adjustment shall be factory set, tested and sealed for the full load amps of the connected motor. The circuit breaker shall be capable of being field tested to verify actual pick up, locked rotor, and instantaneous trip points after field installation without disturbing incoming line and load conductors.

## Operator Interface

The fire pump controller shall feature an operator interface with user keypad. The interface shall monitor and display motor operating conditions, including all alarms, events, and pressure conditions. All alarms, events, and pressure conditions shall be displayed with a time and date stamp. The display shall be a 128x64 Backlit LCD capable of customized graphics. The display and interface shall be NEMA rated for Type 2, 3R, 4, 4X, and 12 protection and shall be fully accessible without opening the controller door. The display and user interface shall utilize multiple levels of password protection for system security. A minimum of 3 password levels shall be provided.

## Ammeter/Voltmeter

The fire pump controller operator interface shall be capable of displaying true RMS digital motor voltage and current measurements for all three phases simultaneously. Displays requiring push-button and selector switches to toggle between phases or current and voltage shall not be accepted.

Voltage and current shall be measured by True RMS technology to provide the most accurate measurement for all sine waves, including non-sinusoidal waveforms. Average responding meters will not be accepted.

## Digital Status/Alarm Messages

The digital display shall indicate text messages for the status and alarm conditions of:

- Motor On
- Minimum Run Time / Off Delay Time
- Fail to Start
- Under Voltage
- Locked Rotor Trip
- Emergency Start
- Drive Not Installed
- Disk Error
- Disk Near Full
- Sequential Start Time
- Local Start
- Remote Start
- System Battery Low
- Over Voltage
- Over Frequency
- Motor Over 320%
- Motor Overload
- Printer Error
- Pressure Error

The Sequential Start Timer and Minimum Run Timer/Off Delay Timer shall be displayed as numeric values reflecting the value of the remaining time.

## LED Visual Indicators

LED indicators, visible with the door closed, shall indicate:

- Power Available
- Pump Running
- Remote Start
- Deluge Open
- Phase Failure
- Interlock On
- Motor Overload
- Automatic Shutdown
- Overvoltage
- Alarm
- System Pressure Low
- Transfer Switch Normal
- Transfer Switch Emergency
- Phase Reversal
- Fail To Start
- Emerg. Iso. Switch Off
- Undervoltage

### Data Logging

The digital display shall monitor the system and log the following data:

- Motor Calls/Starts
- Pump Last Run Time
- Last Pump Start
- Last Phase Fail/Reversal
- Last Locked Rotor Current
- Max Starting Currents
- Min/Max Voltage per Phase while idle (not running)
- Min Voltage per Phase during Start
- Min/Max Voltage per Phase during Run
- Pump Total Run Time
- Total Controller Pwr On Time
- Min/Max System Pressure
- Last Locked Rotor Trip
- Min/Max Frequency
- Max Run Currents

### Event Recording

Memory - The controller shall record all operational and alarm events to system memory. All events shall be time and date stamped and include an index number. The system memory shall have the capability of storing 3000 events and allow the user access to the event log via the user interface. The user shall have the ability to scroll through the stored messages in groups of 1 or 10.

### USB Host Controller

The controller shall have a built-in USB Host Controller. A USB port capable of accepting a USB Flash Memory Disk shall be provided. The controller shall save all operational and alarm events to the flash memory on a daily basis. Each saved event shall be time and date stamped. The total amount of historical data saved shall solely depend on the size of the flash disk utilized. The controller shall have the capability to save settings and values to the flash disk on demand via the user interface.

### Serial Communications

The controller shall feature a RS485 serial communications port for use with 2 or 4 wire Modbus RTU communications.

### Solid State Pressure Transducer

The controller shall be supplied with a solid state pressure transducer with a range of 0-300 psi (0-20.7 bar)  $\pm 1$  psi. The solid state pressure switch shall be used for both display of the system pressure and control of the fire pump controller. Systems using analog pressure devices or mercury switches for operational control will not be accepted.

The START, STOP and SYSTEM PRESSURE shall be digitally displayed and adjustable through the user interface. The pressure transducer shall be mounted inside the controller to prevent accidental damage. The pressure transducer shall be directly pipe mounted to a bulkhead pipe coupling without any other supporting members. Field connections shall be made externally at the controller coupling to prevent distortion of the pressure switch element and mechanism.

### Seismic Certification

The controller shall be certified to meet or exceed the requirements of the 2006 International Building Code and the 2010 California Building Code for Importance Factor 1.5 Electrical Equipment for Sds equal to 1.88 or less severe seismic regions. Qualifications shall be based upon successful tri-axial shake-table testing in accordance with ICC-ES AC-156. Certification without testing shall be unacceptable. Controller shall be clearly labeled as rated for installation in seismic areas and a Certificate of Conformance shall be provided with the controller. **NOTE:** Not available on Model FTA1500 Controllers

### Operation

A digitally set On Delay (Sequential Start) timer shall be provided as standard. Upon a call to start, the user interface shall display a message indicating the remaining time value of the On Delay timer.

The controller shall be field programmable for manual stop or automatic stop. If set for automatic stopping, the controller shall allow the user to select either a Minimum Run Timer or an Off Delay Timer. Both timers shall be programmable through the user interface.

A nonadjustable restart delay timer shall be provided to allow the residual voltage of the motor to decay prior to restarting the motor. At least 2 seconds, but no more than 3 seconds, shall elapse between stopping and restarting the pump motor.

A weekly test timer shall be provided as standard. The controller shall have the ability to program the time, date, and frequency of the weekly test. In addition, the controller shall have the capability to display a preventative maintenance message for a service inspection. The message text and frequency of occurrence shall be programmable through the user interface.

A Lamp Test feature shall be included. The user interface shall also have the ability to display the status of the system inputs and outputs.

A Audible Test feature shall be included to test the operation of the audible alarm device.

The controller shall not start the fire pump motor under a single-phase condition. If the motor is already running when a phase loss occurs, the controller shall continue to run the motor, but still display a Phase Failure alarm.

The fire pump controller software shall be automatically upgradable through the USB port by simply inserting a flash disk with the new software. Fire pump controllers that require laptop computers, handheld equipment or specialized devices for software upgrades shall be prohibited.

The controller shall be a Firetrol brand.

### Emerson Network Power - Global Headquarters

1050 Dearborn Drive  
Columbus, OH 43085  
Tel +1 614 888 0246

EmersonNetworkPower.com

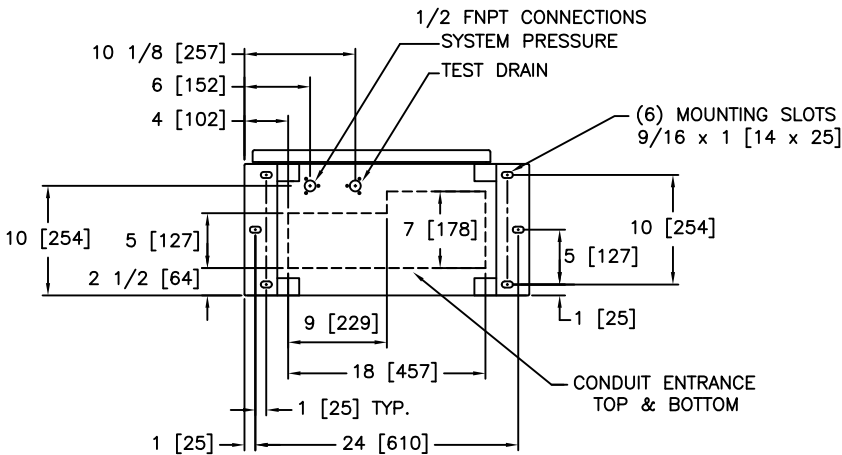
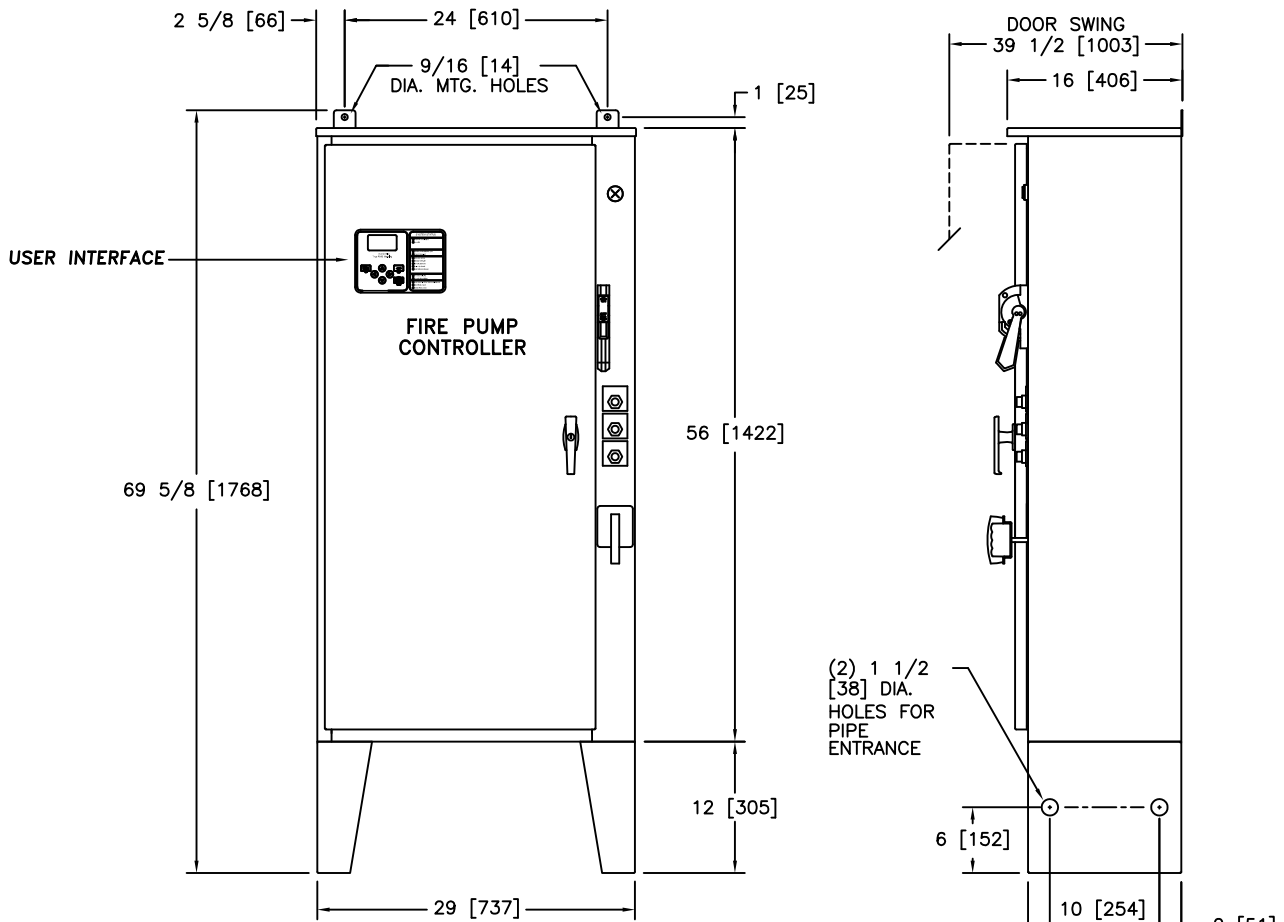
### ASCO Power Technologies - Firetrol Brand Products

111 Corning Road, Suite 120  
Cary, NC 27518  
Tel +1 919 460 5200 • Fax +1 919 460 5250

Firetrol.com

While every precaution has been taken to ensure accuracy and completeness herein, ASCO assumes no responsibility, and disclaims all liability, for damages resulting from use of this information or for any errors or omissions. Information and specifications are subject to change without notice. Emerson, Consider It Solved., Emerson Network Power, the Emerson Network Power Logo, ASCO, Firetrol and the Firetrol Logo are trademarks or registered trademarks of Emerson Electric Co. All other names and logos referred to are trade names, trademarks, or registered trademarks of their respective owners. ©2013 Emerson Electric Co. SP1000-50 (C)

**EMERSON. CONSIDER IT SOLVED.™**



DO NOT INSTALL IN AMBIENT TEMPERATURES BELOW 41°F [5°C].

ALL DIMENSIONS - INCHES [MM]  
SHIPPING WEIGHT - POUNDS [KG]

THIS DIMENSION DRAWING COVERS FTA1300 CONTROLLERS AT THE HORSEPOWER, VOLTAGE AND WITHSTAND RATINGS AS LISTED IN THE TABLE. FOR OTHER HORSEPOWER OR WITHSTAND RATINGS, REFER TO ED1300-02

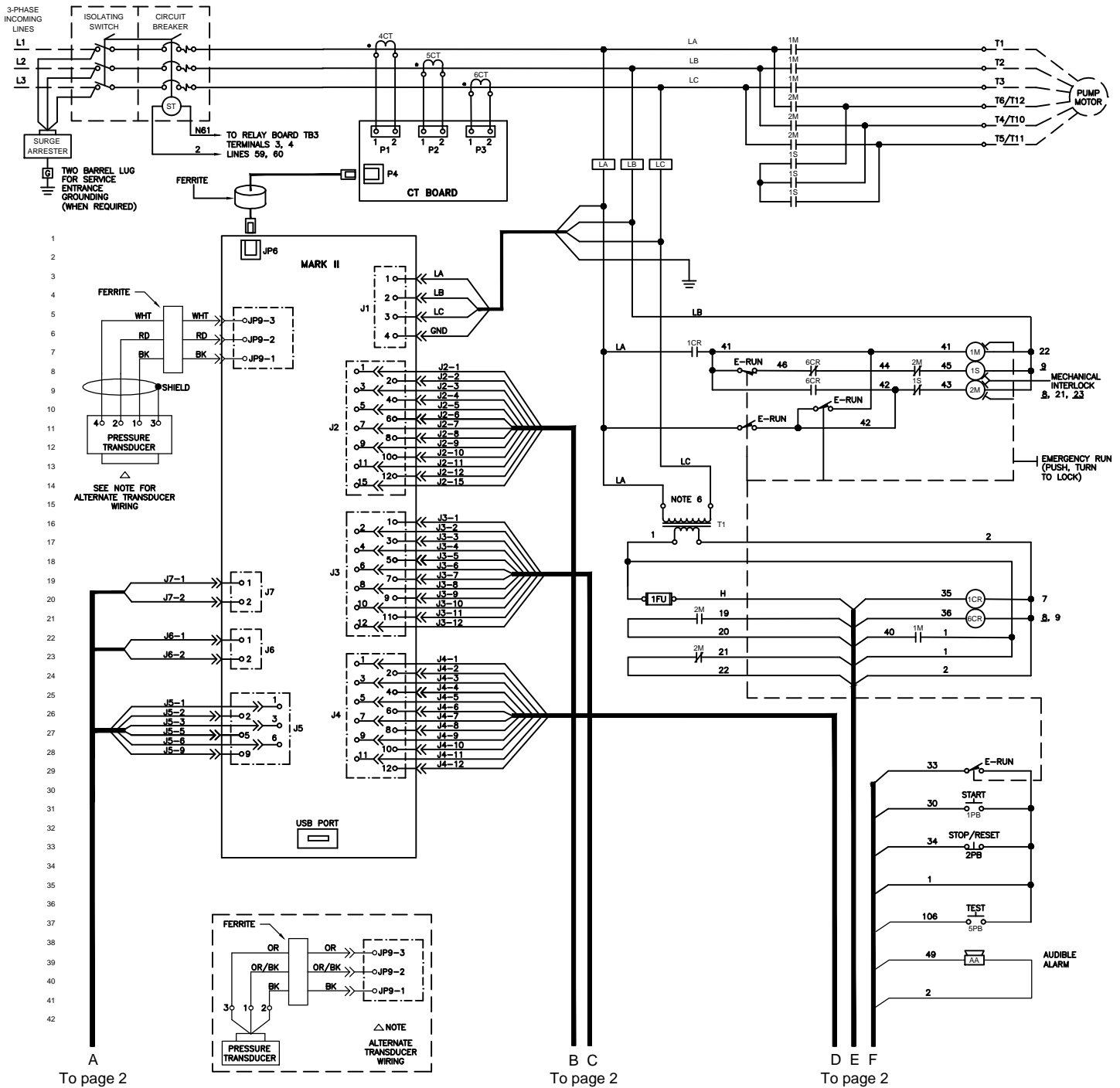
SPECIFICATIONS AND DIMENSIONS SUBJECT TO CHANGE WITHOUT NOTICE. DO NOT USE FOR CONSTRUCTION. REQUEST CONSTRUCTION DRAWINGS FROM FIRETROL OR YOUR LOCAL FIRETROL REPRESENTATIVE.

<b>STANDARD WITHSTAND RATINGS</b>	
200-600V - 100,000 Amps RMS Sym.	
<b>INTERMEDIATE WITHSTAND RATINGS</b>	
200-600V - 150,000 Amps RMS Sym.	
<b>HIGH WITHSTAND RATINGS</b>	
200-600V - 200,000 Amps RMS Sym.	
LINE VOLTAGE	MOTOR HORSEPOWER
200	□ 75-100
208	□ 75-125
220-240	□ 75-125
380-415	□ 125-200
440-480	□ 200-250
550-600	□ 200-300

<b>APPROXIMATE SHIPPING WEIGHT</b>
<b>335 [152]</b>

<b>REVISED MOTOR HORSEPOWER CHART</b>		C	237364	JMW	TEF	05-31-12
<b>ADDED COMPONENTS TO MEET FM REQUIREMENTS</b>		B	228550	JC	TEF	08-10-10
<b>PROJECT NAME:</b>		REV. TO SHEET	ECN NO.	BY	APP.	DATE
<b>DIMENSIONS AND SHIPPING WEIGHT</b> FTA1300						 THIRD ANGLE PROJECTION
<b>OPEN TRANSITION WYE-DELTA FIRE PUMP CONTROLLER</b>						
<b>DRAWN BY</b>	<b>DATE</b>	<b>MANUFACTURING TOLERANCES TO BE IN ACCORDANCE WITH ASCO PROCEDURE MP-1-003. FOR PLASTIC PARTS SEE MP-1-055</b>		<b>ASSEM. REF. NO.</b>		<b>COMPUTER GENERATED DRAWING</b>
<b>CHECKED</b>		<b>PROPERTY OF ASCO POWER TECHNOLOGIES. USE PERMITTED FOR OUR WORK ONLY. ALL RIGHTS OF DESIGN OR INVENTION ARE RESERVED.</b>		<b>SCALE</b> 1:1	<b>SIZE</b> A	
<b>PROJECT APPROVAL</b>				<b>DWG. NO.</b>		
<b>FINAL APPROVAL</b>	TEF 07-23-02	<b>ASCO</b> ASCO POWER TECHNOLOGIES, L.P. FLORHAM PARK, NEW JERSEY 07932 U.S.A.		<b>DRAWING REV.</b> C	<b>ECN NO.</b> 237364	<b>SHEET 1 OF 1</b>





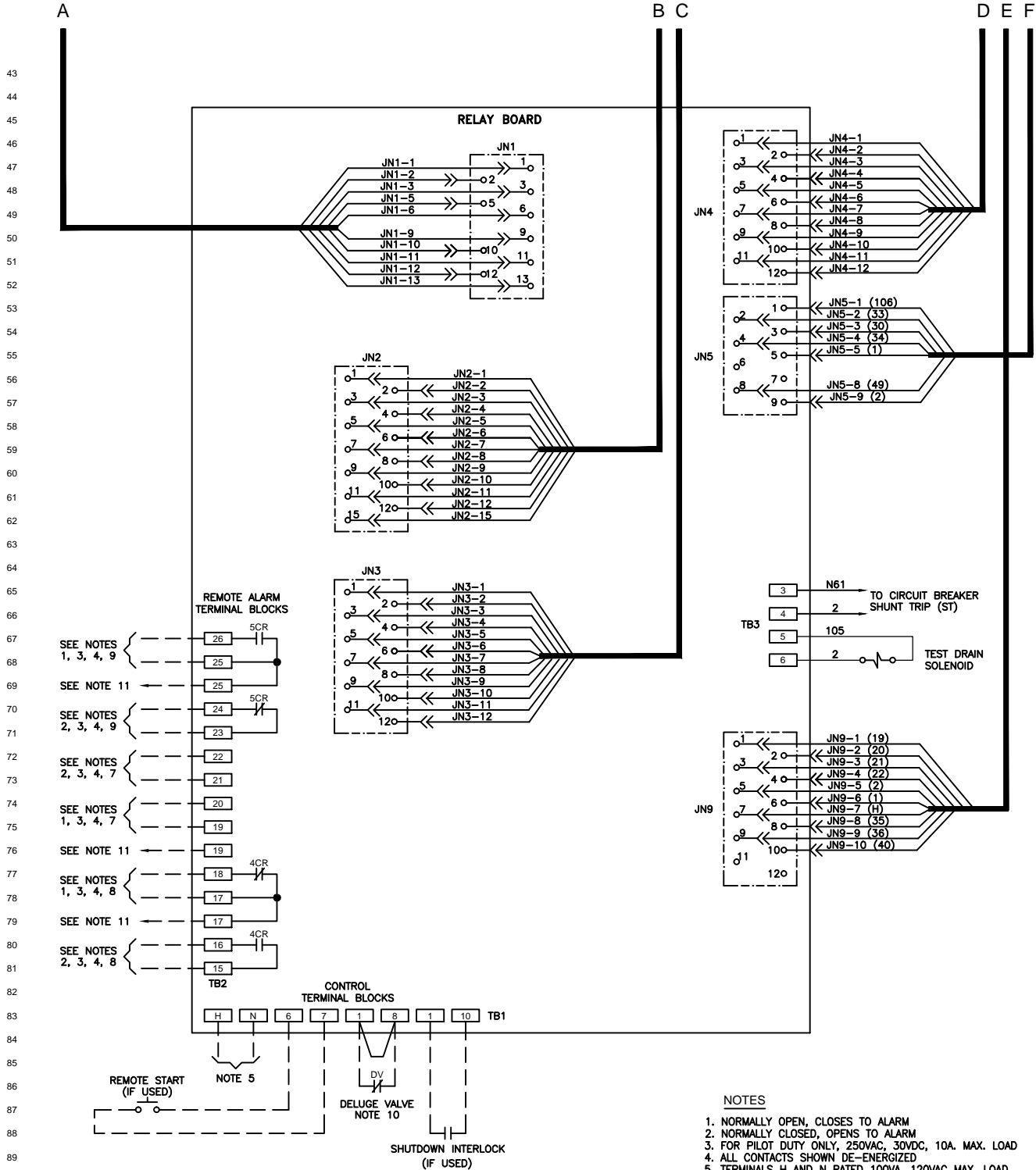
To page 2

To page 2

To page 2

ADDED TEST SOLENOID AND AUDIBLE ALARM TO COMPLY WITH NEW FM STD.				REV. TO D	ECH NO. 228528	BY JC	APP. TEF	DATE 08-30-10
CHANGED PC-1051 TO CT BOARD				REV. TO C	ECH NO. 225139	BY JC	APP. TEF	DATE 11-15-09
REMOVED PRINTER / CHANGED FLOPPY TO USB				REV. TO B	ECH NO. -	BY JC	APP. TEF	DATE 06-15-07
<b>WIRING SCHEMATIC</b>						FTA1300		
<b>OPEN TRANSITION WYE-DELTA FIRE PUMP CONTROLLER</b>								
THIRD ANGLE PROJECTION								
BY	DATE	MANUFACTURING TOLERANCES TO BE IN ACCORDANCE WITH ASCO PROCEDURE MP-1-003. FOR PLASTIC PARTS SEE MP-1-055			ASSEM. REF. NO.			
CHECKED		PROPERTY OF ASCO POWER TECHNOLOGIES. USE PERMITTED FOR OUR WORK ONLY. ALL RIGHTS OF DESIGN OR INVENTION ARE RESERVED.			COMPUTER GENERATED DRAWING			
PROJECT APPROVAL					SCALE	1:1	SIZE	A
FINAL APPROVAL	TEF	05-10-02	ASCO			WS1300-50		DWG. NO.
			ASCO POWER TECHNOLOGIES, L.P. FLORHAM PARK, NEW JERSEY 07932 U.S.A.			DRAWING REV. D		ECH NO. 228528
							SHEET 1 OF 2	

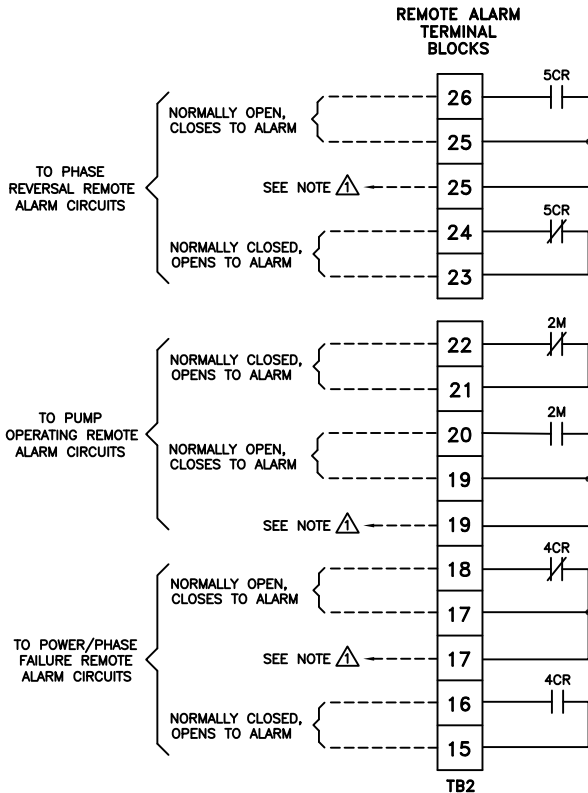




43  
44  
45  
46  
47  
48  
49  
50  
51  
52  
53  
54  
55  
56  
57  
58  
59  
60  
61  
62  
63  
64  
65  
66  
67  
68  
69  
70  
71  
72  
73  
74  
75  
76  
77  
78  
79  
80  
81  
82  
83  
84  
85  
86  
87  
88  
89

ADDED TEST SOLENOID AND AUDIBLE ALARM TO COMPLY WITH NEW FM STD.				REV. TO D	ECH NO. 228528	BY JC	APP. TEF	DATE 08-30-10
CHANGED PC-1051 TO CT BOARD				REV. TO C	ECH NO. 225139	BY JC	APP. TEF	DATE 11-15-09
REMOVED PRINTER / CHANGED FLOPPY TO USB				REV. TO B	ECH NO. -	BY JC	APP. TEF	DATE 06-15-07
WIRING SCHEMATIC						FTA1300		
OPEN TRANSITION WYE-DELTA FIRE PUMP CONTROLLER								
DRAWN BY TEF			DATE 05-10-02		MANUFACTURING TOLERANCES TO BE IN ACCORDANCE WITH ASCO PROCEDURE MP-1-003. FOR PLASTIC PARTS SEE MP-1-055		ASSEM. REF. NO.	
CHECKED					PROPERTY OF ASCO POWER TECHNOLOGIES. USE PERMITTED FOR OUR WORK ONLY. ALL RIGHTS OF DESIGN OR INVENTION ARE RESERVED.			
PROJECT APPROVAL					COMPUTER GENERATED DRAWING			
FINAL APPROVAL TEF			DATE 05-10-02		SCALE 1:1		SIZE A	
ASC			ASC		DWG. NO. WS1300-50		DRAWING REV. D	
ASC			ASC		ECH NO. 228528		SHEET 2 OF 2	



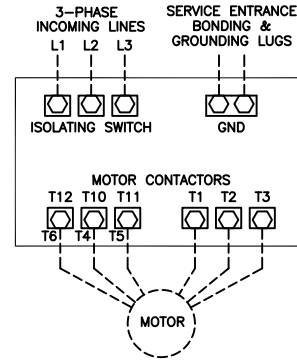


Δ SPARE TERMINALS PROVIDED FOR PARALLEL CONNECTION OF REMOTE ALARMS (IF REQUIRED)

NOTE: TERMINALS FOR CUSTOMER CONNECTIONS REQUIRE 3.5MM SLOTTED SCREW DRIVER

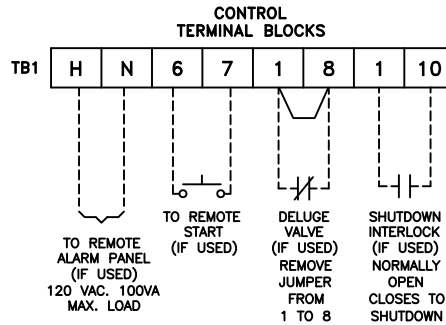
TERMINAL TIGHTENING TORQUE		
TERMINAL TYPE	WIRE SIZE	TIGHTENING TORQUE
CONTROL AND ALARM TERMINALS	#14-12 AWG [2.5-4 MM <sup>2</sup> ]	5.6 lb-in [.6 Nm]

-NOTE-  
ALARM CONTACT  
RATING PILOT DUTY  
250 VAC, 30 VDC  
10 A. MAX. LOAD



- NOTES**
- 1- Incoming line terminals are provided to accommodate wire sizes at 125% of motor full load current per NFPA 70-2008, *National Electrical Code*, Table 430-250, Section 695.6(c), and Table 310-16, 75' rated Copper conductors.
  - 2- Controller is phase rotation sensitive. Incoming lines L1, L2 and L3 must be in ABC, right hand rotation sequence for proper operation of the phase monitor.
  - 3- Motor connections shown are typical. Since motor connections vary widely, refer to the motor connection diagram for specific wiring arrangement.
  - 4- For incoming line terminals and motor terminals field wire capacity refer to drawing FC1300-51

NOTE: USE COPPER CONDUCTORS ONLY FOR ALL CONNECTIONS



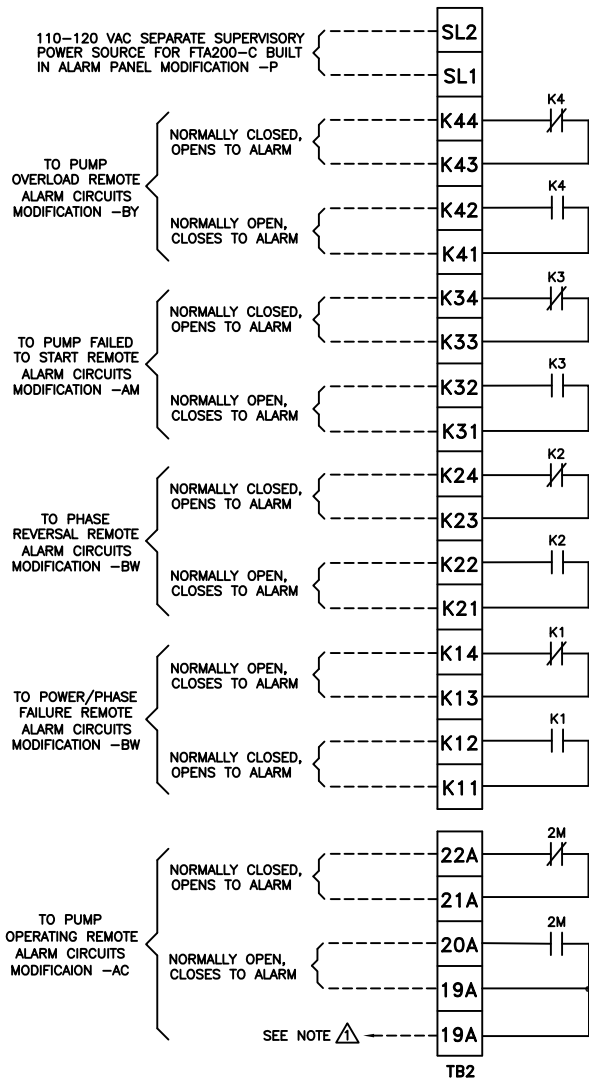
PRESSURE SYSTEM  
CONNECTION  
1/2" FNPT

**Firetrol**®

ADD NOTE FOR COPPER CONDUCTORS ONLY-UPDATED LOGO AND TITLE BLOCK				REV. TO A	ECN NO. 226253	BY JC	APP. TEF	DATE 12-09-09		
FIELD CONNECTIONS				FTA1300						
WYE-DELTA OPEN TRANSITION FIRE PUMP CONTROLLER				THIRD ANGLE PROJECTION						
DRAWN BY	TEF	DATE	05-06-02	MANUFACTURING TOLERANCES TO BE IN ACCORDANCE WITH ASCO PROCEDURE MP-1-003. FOR PLASTIC PARTS SEE MP-1-055	ASSEM. REF. NO.	COMPUTER GENERATED DRAWING				
CHECKED				PROPERTY OF ASCO POWER TECHNOLOGIES. USE PERMITTED FOR OUR WORK ONLY. ALL RIGHTS OF DESIGN OR INVENTION ARE RESERVED.		SCALE	1:1	SIZE	A	
PROJECT APPROVAL						FC1300-50				
FINAL APPROVAL	TEF	DATE	05-06-02	ASCO® ASCO POWER TECHNOLOGIES, L.P. FLORHAM PARK, NEW JERSEY 07932 U.S.A.		DRAWING REV.	A	ECN NO.	226253	SHEET 1 OF 2



MODIFICATION  
TERMINAL BLOCKS  
(IF USED)



$\Delta$  SPARE TERMINALS PROVIDED FOR PARALLEL CONNECTION OF REMOTE ALARMS (IF REQUIRED)

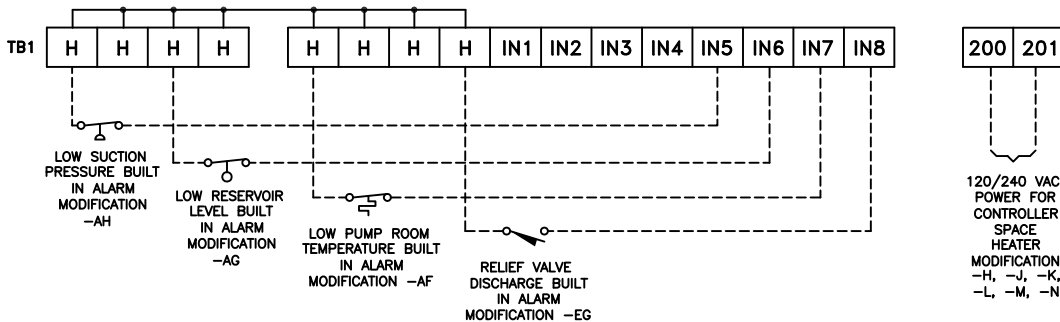
NOTE: TERMINALS FOR CUSTOMER CONNECTIONS REQUIRE 3.5MM SLOTTED SCREW DRIVER

TERMINAL TIGHTENING TORQUE		
TERMINAL TYPE	WIRE SIZE	TIGHTENING TORQUE
CONTROL AND ALARM TERMINALS	#14-12 AWG [2.5-4 MM <sup>2</sup> ]	5.6 lb-in [0.6 Nm]

-NOTE-  
ALARM CONTACT RATING PILOT DUTY 250 VAC, 30 VDC 10 A. MAX. LOAD

NOTE: USE COPPER CONDUCTORS ONLY FOR ALL CONNECTIONS

MODIFICATION TERMINAL BLOCKS (IF USED)



ADD NOTE FOR COPPER CONDUCTORS ONLY-UPDATED LOGO AND TITLE BLOCK				REV. TO A	ECN NO. 226253	BY JC	APP. TEF	DATE 12-09-09
FIELD CONNECTIONS				FTA1300				
WYE-DELTA OPEN TRANSITION FIRE PUMP CONTROLLER				THIRD ANGLE PROJECTION				
BY	DATE	MANUFACTURING TOLERANCES TO BE IN ACCORDANCE WITH ASCO PROCEDURE MP-1-003. FOR PLASTIC PARTS SEE MP-1-055	ASSEM. REF. NO.	COMPUTER GENERATED DRAWING				
CHECKED		PROPERTY OF ASCO POWER TECHNOLOGIES. USE PERMITTED FOR OUR WORK ONLY. ALL RIGHTS OF DESIGN OR INVENTION ARE RESERVED.		SCALE 1:1	SIZE A			
PROJECT APPROVAL				DWG. NO.		FC1300-50		
FINAL APPROVAL	TEF 05-06-02	ASCO® ASCO POWER TECHNOLOGIES, L.P. FLORHAM PARK, NEW JERSEY 07932 U.S.A.		DRAWING REV. A	ECN NO. 226253	SHEET 2 OF 2		



LINE TERMINALS—WIRE CAPACITY AND QUANTITY (CU) 1

MAXIMUM MOTOR HORSEPOWER						WIRE SIZE (CU) PER PHASE	WIRE SIZE SERVICE ENTRANCE GROUND LUG (CU) <span style="border: 1px solid black; border-radius: 50%; padding: 2px;">2</span>
200V	208V	220—240V	380—415V	440—480V	550—600V		
25	25	30	50	60	75	(1) #14 AWG—#1/0 AWG (1) 2.5 MM <sup>2</sup> —50 MM <sup>2</sup>	(2) #14 AWG—#2/0 AWG (2) 2.5 MM <sup>2</sup> —70 MM <sup>2</sup>
30	30	40	60	75	100	(1) #2 AWG—#4/0 AWG (1) 35 MM <sup>2</sup> —100 MM <sup>2</sup>	(2) #14 AWG—#2/0 AWG (2) 2.5 MM <sup>2</sup> —70 MM <sup>2</sup>
50	50	60	100	125	---	(1) #4 AWG—300 kcmil (1) 25 MM <sup>2</sup> —150 MM <sup>2</sup>	(2) #14 AWG—#2/0 AWG (2) 2.5 MM <sup>2</sup> —70 MM <sup>2</sup>
60	60	---	---	150	150	(1) #6 AWG—350 kcmil (1) 16 MM <sup>2</sup> —185 MM <sup>2</sup>	(2) #6 AWG—250 kcmil (2) 16 MM <sup>2</sup> —120 MM <sup>2</sup>
100	100	100	150	250	300	(1) 250 kcmil—500 kcmil (1) 120 MM <sup>2</sup> —240 MM <sup>2</sup>	(2) #6 AWG—250 kcmil (2) 16 MM <sup>2</sup> —120 MM <sup>2</sup>
---	125	125	200	---	---	(2) #3/0 AWG—250 kcmil (2) 95 MM <sup>2</sup> —120 MM <sup>2</sup>	(2) #6 AWG—250 kcmil (2) 16 MM <sup>2</sup> —120 MM <sup>2</sup>
200	200	250	350	500	500	(3) #2/0 AWG—400 kcmil (3) 70 MM <sup>2</sup> —200 MM <sup>2</sup>	(2) #6 AWG—250 kcmil (2) 16 MM <sup>2</sup> —120 MM <sup>2</sup>
250	250	300	500	600	---	(4) #4/0 AWG—500 kcmil (4) 100 MM <sup>2</sup> —240 MM <sup>2</sup>	(2) #6 AWG—250 kcmil (2) 16 MM <sup>2</sup> —120 MM <sup>2</sup>

MOTOR TERMINALS—WIRE CAPACITY AND QUANTITY (CU) 1

MAXIMUM MOTOR HORSEPOWER						WIRE SIZE (CU) PER PHASE
200V	208V	220—240V	380—415V	440—480V	550—600V	
60	60	60	100	150	150	(1) #6 AWG—#2/0 AWG (1) 16 MM <sup>2</sup> —70 MM <sup>2</sup>
75	75	100	150	200	250	(1) #6 AWG—250 kcmil (1) 16 MM <sup>2</sup> —120 MM <sup>2</sup>
150	150	150	250	350	450	(1) #4 AWG—400 kcmil (1) 25 MM <sup>2</sup> —200 MM <sup>2</sup>
---	---	200	300	450	500	(2) #4 AWG—500 kcmil (2) 25 MM <sup>2</sup> —240 MM <sup>2</sup>
250	250	300	500	600	---	(2) 250 kcmil—500 kcmil (2) 120 MM <sup>2</sup> —240 MM <sup>2</sup>

- 1 FOR CORRECT WIRE SIZING, REFER TO **NATIONAL ELECTRICAL CODE**, NFPA 70.
- 2 WHEN REQUIRED BY AUTHORITY HAVING JURISDICTION.



UPDATED LINE TERMINAL HP / VOLTAGE CHART		C	235649	JC	TEF	02-13-12	
SEE ECN		B	228839	TEF	TEF	09/02/10	
UPDATED LOGO AND TITLE BLOCK		A	226994	JC	TEF	12/08/09	
PROJECT NAME:		REV. TO	ECN NO.	BY	APP.	DATE	
FIELD CONNECTIONS		FTA1300				 THIRD ANGLE PROJECTION	
WYE-DELTA OPEN TRANSITION FIRE PUMP CONTROLLER LINE AND MOTOR FIELD WIRE TERMINAL CAPACITY							
BY	DATE	MANUFACTURING TOLERANCES TO BE IN ACCORDANCE WITH ASCO PROCEDURE MP-1-003. FOR PLASTIC PARTS SEE MP-1-055		ASSEM. REF. NO.		COMPUTER GENERATED DRAWING	
DRAWN BY	JC	02-13-12			SCALE 1:1 SIZE A		
CHECKED			PROPERTY OF ASCO POWER TECHNOLOGIES. USE PERMITTED FOR OUR WORK ONLY. ALL RIGHTS OF DESIGN OR INVENTION ARE RESERVED.		DWG. NO.		
PROJECT APPROVAL			ASCO POWER TECHNOLOGIES, L.P. FLORHAM PARK, NEW JERSEY 07932 U.S.A.		<b>FC1300-51</b>		
FINAL APPROVAL	TEF	02-13-12			DRAWING REV.	C	ECN NO.