

FTA200-A REMOTE ALARM PANEL

(FOR USE WITH ELECTRIC FIRE PUMP CONTROLLERS)

STANDARD SUBMITTAL PACKAGE

Firetrol[®]

NOTE: The drawings included herein are for standard controllers.
Actual "as built" drawings may differ from those seen here.

FTA200-A Remote Alarm Panels for Electric Fire Pump Controllers

Product Description



Description—Firetrol® FTA200 alarm panels are designed to meet the NPFA 20 specifications requiring a remote alarm panel when the pump house or pump room is not constantly attended. The alarm panel must be installed in a location that is under supervision at all times.

Approvals—These alarm panels are listed by Underwriter’s Laboratories, Inc., in accordance with UL508, *Standard for Industrial Controls*, certified by CSA, *Standard for Industrial Control Equipment (cUL)* and approved by Factory Mutual. They are designed to meet or exceed the requirements of the approving authorities listed above as well as NFPA 20, *Installation of Centrifugal Fire Pumps*.

Standard Features—The following are included as standard with each controller:

Type A - Type A panels provide audible and visible alarm indication for the following conditions:

- Supervisory Voltage Normal
- Pump Operating
- Pump Phase Failure
- Pump Phase Reversal

Construction - FTA200 alarm panels make use of printed circuit boards which provide reliable and trouble free service. The enclosures are NEMA Type 2 (IEC IP11) drip-proof for indoor wall mounting. The standard enclosure color is red.

Mounted on the enclosure door are the pilot lights for visible alarm indication, the audible device for audible alarm indication, the SILENCE ALARM pushbutton and the PUSH-TO-TEST pushbutton.

Each pilot light will illuminate to indicate its alarm condition and will remain lighted until the abnormal condition has been corrected. The audible alarm will sound when the alarm conditions occur and will continue to sound until the abnormal condition has been corrected or the SILENCE ALARM pushbutton has been pressed. Pressing the SILENCE ALARM pushbutton will silence the audible alarm but will not extinguish the pilot light. If another alarm condition occurs the audible alarm will again sound until silenced by the SILENCE ALARM pushbutton or until the abnormal condition has been corrected.

The PUSH-TO-TEST pushbutton is supplied for manually testing the pilot lights, audible alarm and output circuits.

Modifications—The following are available as modifications to the controllers:

Special Enclosures

- F NEMA Type 4X, 304 stainless (IEC IP66)
- Y NEMA Type 1 (IEC IP10) Flush Mount, Painted Steel

Consult Factory for other style enclosures.

Additional Alarm Functions

Each additional alarm function ordered will include a control relay and pilot light and will provide audible and visible alarm. There is no limit as to the number of additional alarm functions that can be supplied, however, enclosure size and weight may be affected. Consult the Factory for dimensions and shipping weights when ordering more than 2 additional alarms.

Standard remote alarms may be ordered by using the Suffix Letters indicated for the corresponding alarm function on the Electric Fire Pump Controller. Alarm functions must exist in the controller to be ordered as remote alarms.

Standard Remote Alarms

- AM Pump Fail To Start
- BY Pump Overload
- EG Relief Valve Discharge
- EJ Flow Meter On

Non-Standard Remote Alarms

- BT When ordering, specify the number of alarms required, the function of each and the nameplate marking of each.

Substitute Amber for Red Pilot Lights

- LA To meet local code requirements.

Operation on 220-240 Volts

- BA Panel is supplied as standard for operation on 110-120 volts.

“Pump Start” Pushbutton

- BS Mounted on enclosure door.

Emerson Network Power - Global Headquarters

1050 Dearborn Drive
Columbus, OH 43085
Tel +1 614 888 0246

EmersonNetworkPower.com

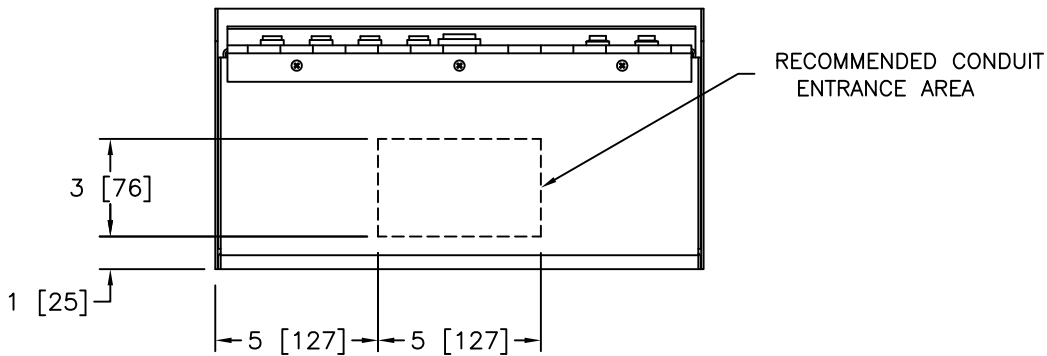
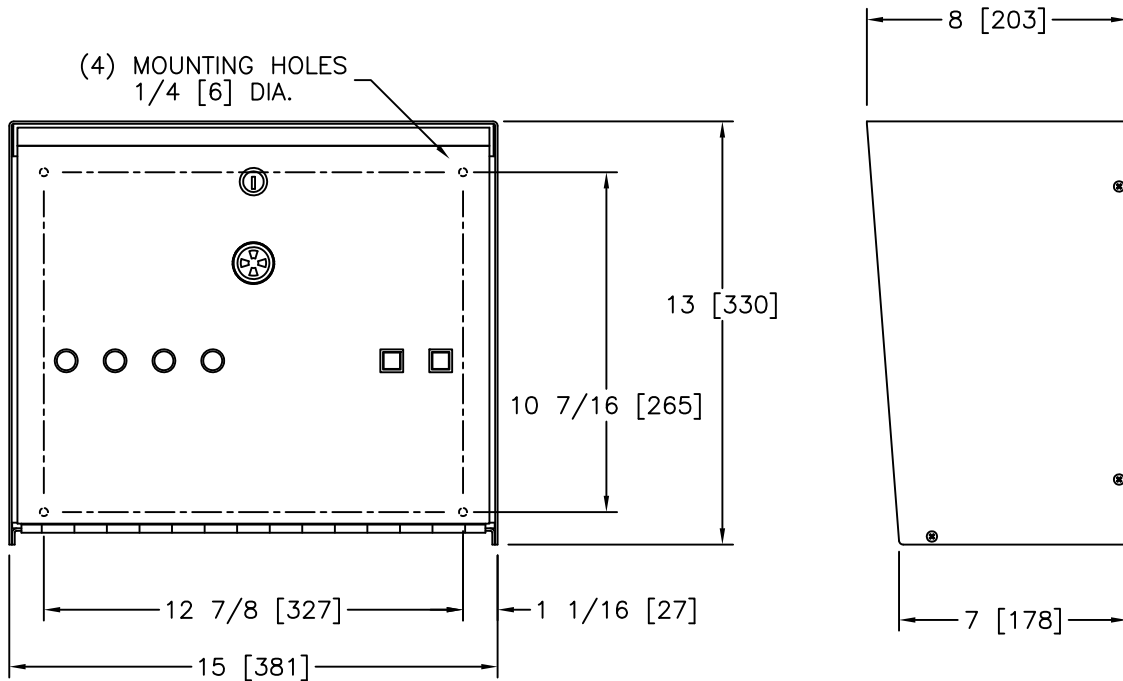
ASCO Power Technologies - Firetrol Brand Products

111 Corning Road, Suite 120
Cary, NC 27518
Tel +1 919 460 5200 • Fax +1 919 460 5250

Firetrol.com

While every precaution has been taken to ensure accuracy and completeness herein, ASCO assumes no responsibility, and disclaims all liability, for damages resulting from use of this information or for any errors or omissions. Information and specifications are subject to change without notice. Emerson, Consider It Solved., Emerson Network Power, the Emerson Network Power Logo, ASCO, Firetrol and the Firetrol Logo are trademarks or registered trademarks of Emerson Electric Co. All other names and logos referred to are trade names, trademarks, or registered trademarks of their respective owners. ©2013 Emerson Electric Co. PD200-50 (A)

EMERSON. CONSIDER IT SOLVED.™



NOTES

1. COMPONENT LAYOUT ON THE DOOR IS TYPICAL ONLY
2. RECOMMENDED FRONTAL CLEARANCE IS 36 [915] MINIMUM.

APPROXIMATE SHIPPING WEIGHT
TYPE A AND F - 18 [8.2]

NEMA TYPE 2 ENCLOSURE

DO NOT INSTALL IN AMBIENT TEMPERATURES BELOW 41°F [5°C]

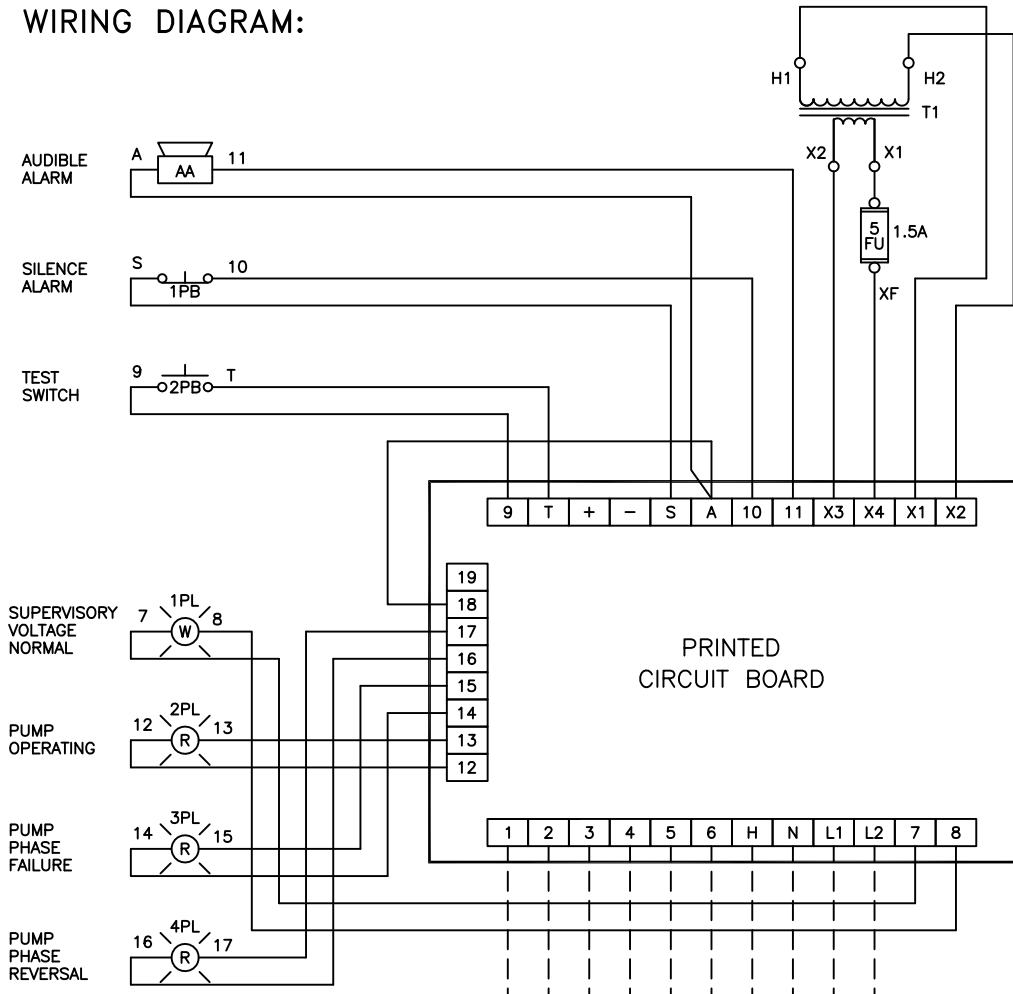
ALL DIMENSION - INCHES [MM]
SHIPPING WEIGHT - POUNDS [KG]

SPECIFICATIONS AND DIMENSIONS SUBJECT TO CHANGE WITHOUT NOTICE. DO NOT USE FOR CONSTRUCTION. REQUEST CONSTRUCTION DRAWINGS FROM YOUR LOCAL FIRETROL REPRESENTATIVE OR FROM THE FACTORY.



REMOVED TYPE B, D, E, AND G ALARM PANELS				H	229706	JW	TEF	11-16-10
PROJECT NAME:				REV. TO SHEET	ECN NO.	BY	APP.	DATE
DIMENSIONAL DRAWING				FTA200-A & FTA200-F				 THIRD ANGLE PROJECTION
REMOTE ALARM PANELS								
BY	DATE	MANUFACTURING TOLERANCES TO BE IN ACCORDANCE WITH ASCO PROCEDURE MP-1-003. FOR PLASTIC PARTS SEE MP-1-055			ASSEM. REF. NO.			COMPUTER GENERATED DRAWING
DRAWN BY	TEF	02-06-97	PROPERTY OF ASCO POWER TECHNOLOGIES. USE PERMITTED FOR OUR WORK ONLY. ALL RIGHTS OF DESIGN OR INVENTION ARE RESERVED.			SCALE	1:1	SIZE A
CHECKED			 ASCO POWER TECHNOLOGIES, L.P. FLORHAM PARK, NEW JERSEY 07932 U.S.A.			DWG. NO.		
PROJECT APPROVAL						DD200-01		
FINAL APPROVAL	TEF	02-06-97	DRAWING REV.	H	ECN NO.	229706	SHEET 1 OF 1	

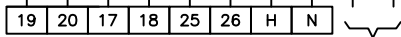
WIRING DIAGRAM:



FIELD CONNECTIONS:

TERMINALS IN ELECTRIC FIRE PUMP CONTROLLER:

- FTA750 FTA1000
- FTA1250 FTA1300
- FTA1350 FTA1500
- FTA1750 FTA1800
- FTA1930 FTA2000



SEPARATE RELIABLE 110-120 VOLT, 50-60 HERTZ SUPERVISORY POWER

MINIMUM WIRE SIZE-LENGTH OF RUN FOR FIELD CONNECTIONS:
 #12AWG WIRE - 7000 FEET
 #14AWG WIRE - 4500 FEET
 #16AWG WIRE - 3000 FEET



REMOVED FTA200-B		F	229706	JW	TEF	11-16-10		
PROJECT NAME:		REV. TO SHEET	ECN NO.	BY	APP.	DATE		
WIRING DIAGRAM/FIELD CONNECTION FTA200-A						<p>THIRD ANGLE PROJECTION</p>		
REMOTE ALARM PANEL FOR ELECTRIC FIRE PUMP CONTROLLERS								
DRAWN BY	BY	DATE	MANUFACTURING TOLERANCES TO BE IN ACCORDANCE WITH ASCO PROCEDURE MP-1-003. FOR PLASTIC PARTS SEE MP-1-055		ASSEM. REF. NO.			
CHECKED			PROPERTY OF ASCO POWER TECHNOLOGIES. USE PERMITTED FOR OUR WORK ONLY. ALL RIGHTS OF DESIGN OR INVENTION ARE RESERVED.		COMPUTER GENERATED DRAWING			
PROJECT APPROVAL					SCALE 1:1	SIZE A		
FINAL APPROVAL	TEF	04-01-93			DWG. NO. WS200-01			
			ASCO POWER TECHNOLOGIES, L.P. FLORHAM PARK, NEW JERSEY 07932 U.S.A.		DRAWING REV. F	ECN NO. 229706	SHEET 1 OF 1	