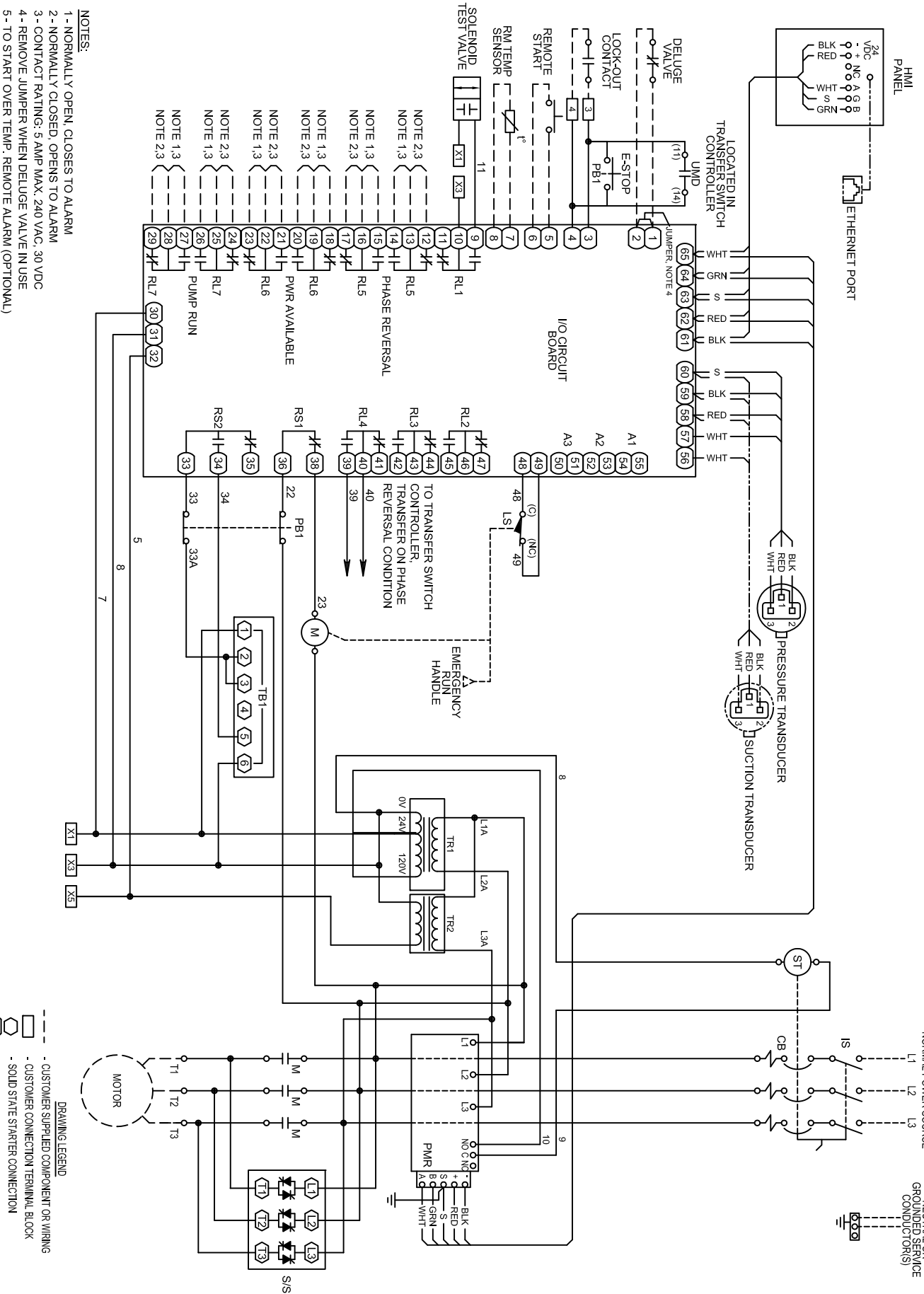


1-02901-01 A

REVISIONS

NEW RELEASE PER ECN L00141
REV. A: 07-16-08 REMOVED CR1 & CR2 RELAY; ADDED 1 NC CONTACT FOR PB1; REMOVED CONN FOR SOFT-START
REV. B: 05-24-2010 REVERSE N.O. & N.C. CONTACTS OF RL1, TR2 & TR3 ADDED. ADD TEST SOLENOID TO RL1.
REV. C: 11-03-08 RAMP-UP CONN, BETWEEN TB & S, ECN 17030, SDC



- NOTES:**
- 1 - NORMALLY OPEN, CLOSES TO ALARM
 - 2 - NORMALLY CLOSED, OPENS TO ALARM
 - 3 - CONTACT RATING: 5 AMP MAX. 240 VAC. 30 VDC
 - 4 - REMOVE JUMPER WHEN DELUGE VALVE IN USE
 - 5 - TO START OVER TEMP. REMOTE ALARM (OPTIONAL)

SUITABLE FOR USE AS SERVICE EQUIPMENT

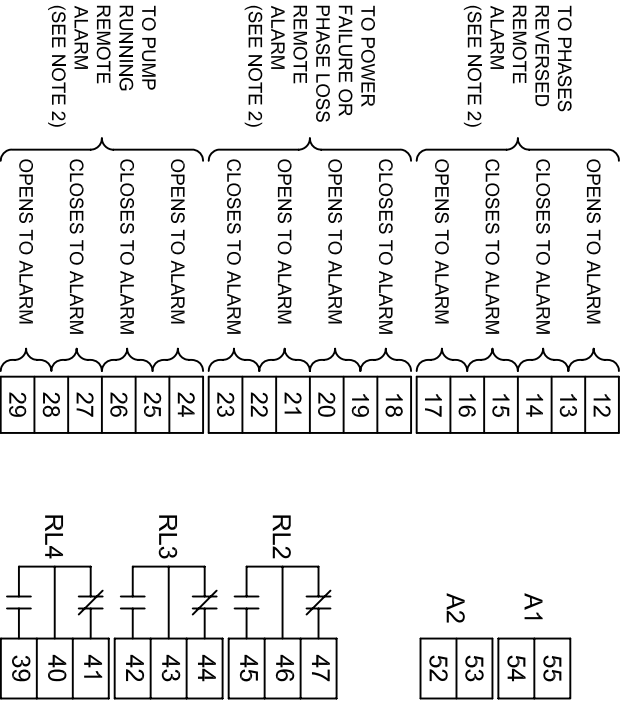
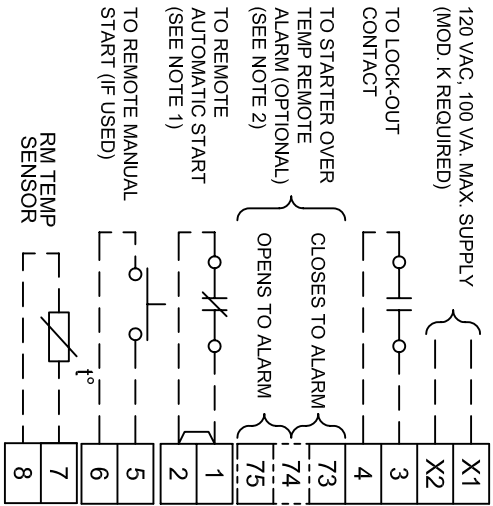


DRAWING LEGEND

- CUSTOMER SUPPLIED COMPONENT OR WIRING
- CUSTOMER CONNECTION TERMINAL BLOCK
- SOLID STATE STARTER CONNECTION
- I/O CIRCUIT BOARD CONNECTION
- DEVICE TERMINATION AND DESIGNATION
- OPTIONAL EQUIPMENT

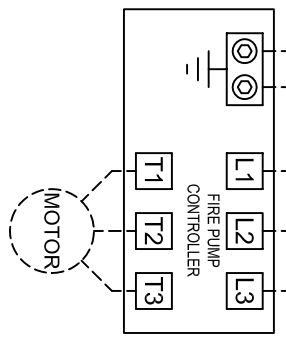
2-02901-01 A

REVISIONS
 NEW RELEASE
 PER EON L00141
 REV. A: G SERIES
 PRODUCT LAUNCH
 PER EON E00787



- NOTES:**
- REMOVE JUMPER IF A REMOTE AUTOMATIC START DEVICE IS USED. THE CONTACT ON THE DEVICE OPEN TO START THE PUMP.
 - ALARM CONTACT RATING: 5 AMP MAX. 240 VAC. 30 VDC.
 - GENERATOR START CONTACT RATING: 5 AMP MAX. 30 VDC.

NEUTRAL OR GROUND(S) CONDUCTOR(S)
 POWER



WATER PRESSURE CONNECTION
 1/2" FNPT

SUITABLE FOR USE AS SERVICE EQUIPMENT

LINE TERMINAL LUG SIZE (PER PHASE)

HORSEPOWER	WIRE CAPACITY (COPPER WIRE)		
	200V.	230V.	575 V.
5 - 25	5 - 30	5 - 60	5 - 60
30	---	60	100
40 - 60	40 - 75	75 - 125	100 - 150
75 - 150	100 - 200	150 - 350	200 - 350
200	250	400	400-450
---	---	5	5
5 - 60	5 - 75	7.5 - 100	7.5 - 150
75 - 100	100 - 125	125 - 200	200 - 250

MOTOR TERMINAL LUG SIZE (PER PHASE)

HORSEPOWER	WIRE CAPACITY (COPPER WIRE)		
	200V.	230V.	575 V.
5 - 15	5 - 20	5 - 30	5 - 40
20 - 30	35 - 30	40 - 60	50 - 60
40 - 50	40 - 60	75 - 100	75 - 125
60 - 100	75 - 125	125 - 200	150 - 250
125 - 200	150 - 250	250 - 400	300 - 500
---	---	5 - 50	5 - 60
40 - 50	40 - 60	60 - 100	75 - 125
60 - 100	75 - 125	125 - 200	150 - 250

NEUTRAL OR GROUNDING CONDUCTORS

5 - 25	5 - 30	5 - 50	5 - 60	5 - 60	5 - 75
30 - 60	40 - 75	60 - 125	75 - 150	75 - 150	100 - 200
75 - 100	100 - 125	150 - 200	200 - 250	200 - 250	250 - 350
125 - 200	150 - 250	250 - 400	300 - 450	300 - 500	400 - 500

CONDUCTOR NOTES
 - FOR PROPER WIRE SIZING, REFER TO THE NATIONAL ELECTRICAL CODE, NFPA 70 OR OTHER LOCAL CODES.
 - CONTROLLER IS PHASE ROTATION SENSITIVE. OBSERVE PHASE ROTATION, L1-L2-L3 MUST BE IN ABC SEQUENCE.
 - THE LINE AND MOTOR TERMINALS WILL ACCOMMODATE, AS A MINIMUM, COPPER CABLES CAPABLE OF CARRYING 125% OF THE MOTOR FULL LOAD CURRENT.

TITLE: BUL. 10620 FIRE PUMP CONTROLLERS. MADE BY: SDC APP'D: DJD DATE: 05/30/08 SCALE: 1 FILE: 10620-2-6 SHEET: 1 OF 1

JOSLYN CLARK CONTROLS, LLC
 ELIZABETHTOWN, NC USA 28337
A 10-10620-2
 DES. TLV REV. G