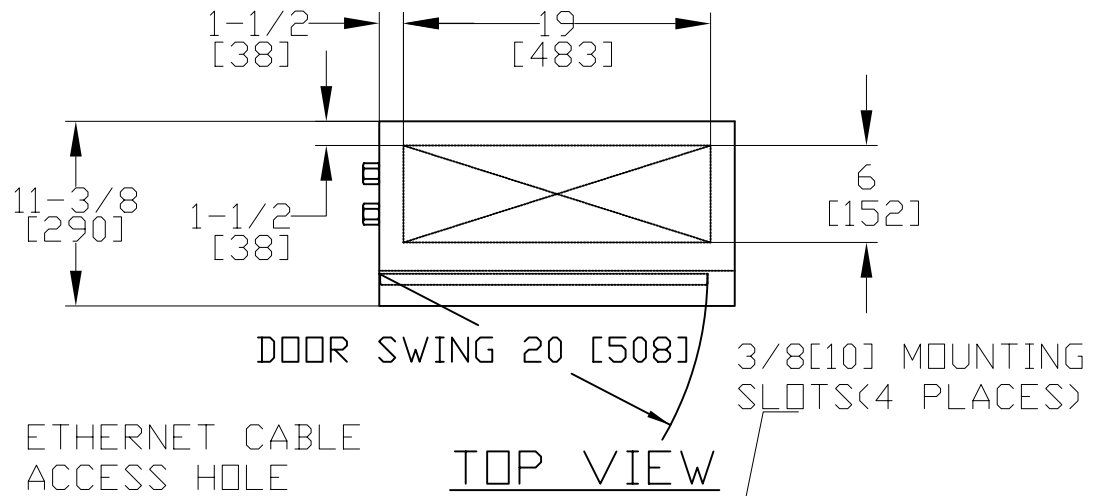


# CABINET OUTLINE

TYPE 2 [IP21], 3R [IP22]  
OR 12 [IP52] ENCLOSURE.

ALL DIMENSIONS ARE  
SHOWN IN INCHES [mm].

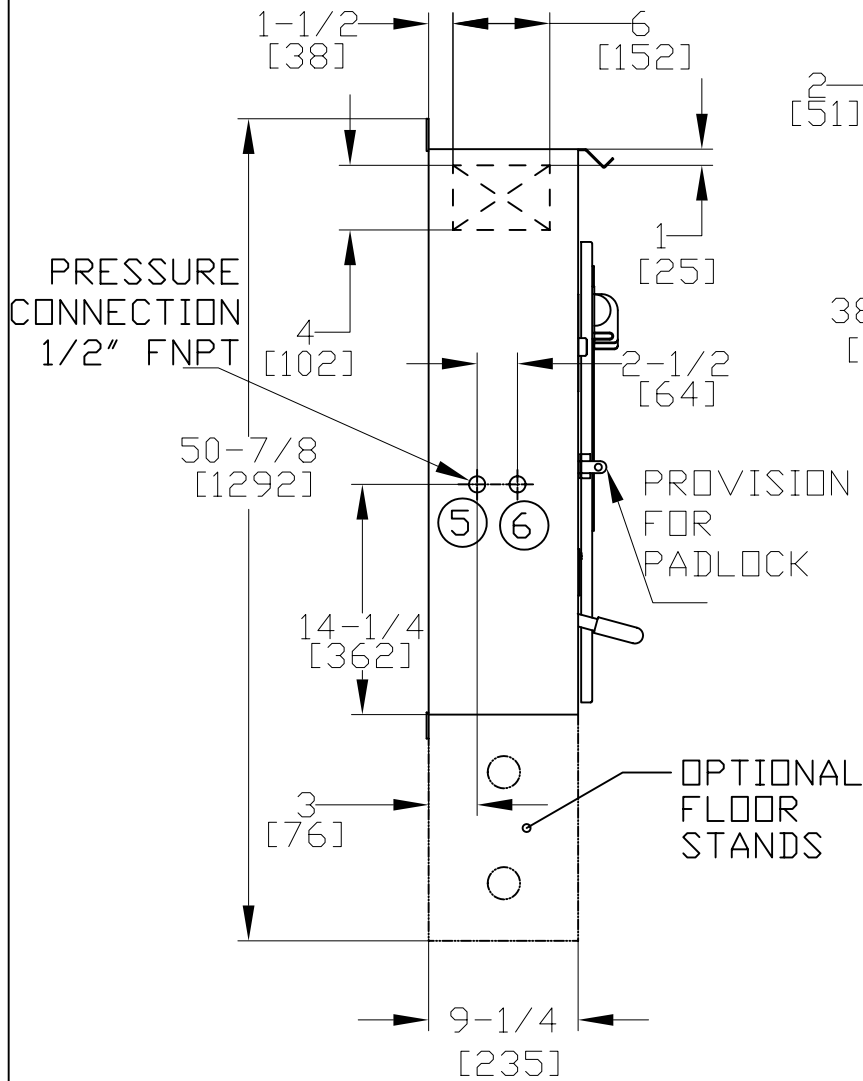


ETHERNET CABLE ACCESS HOLE

DOOR SWING 20 [508]

3/8 [10] MOUNTING SLOTS (4 PLACES)

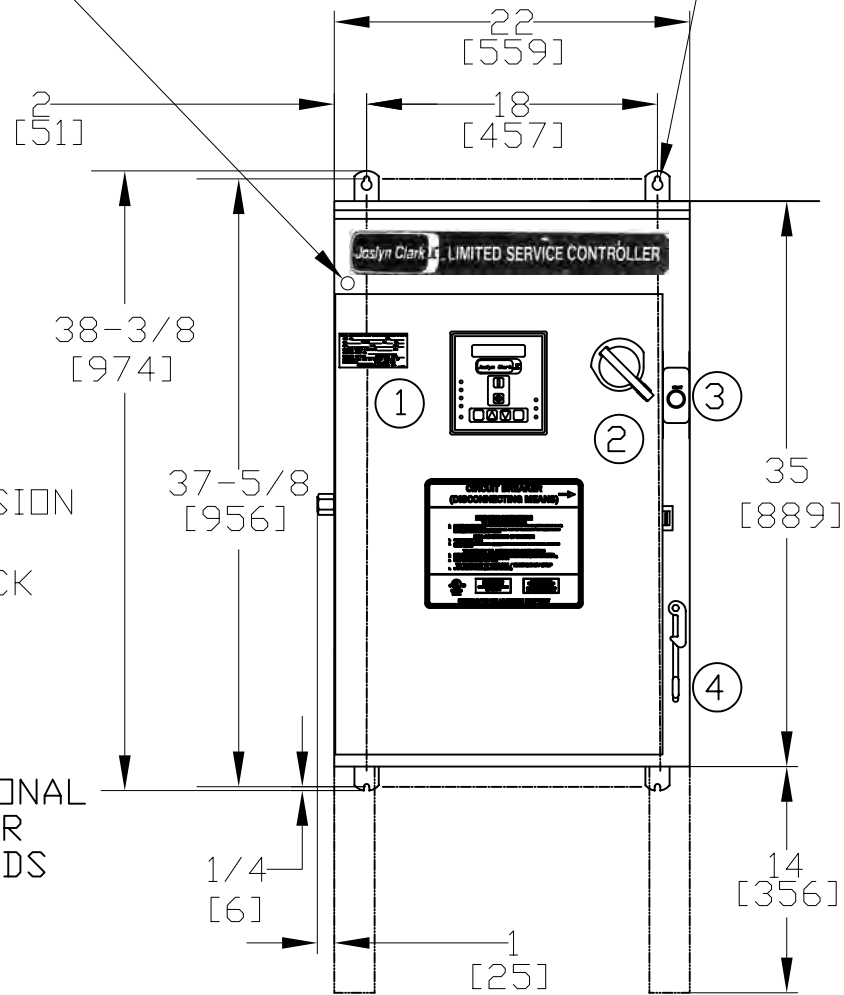
TOP VIEW



PRESSURE CONNECTION  
1/2" FNPT

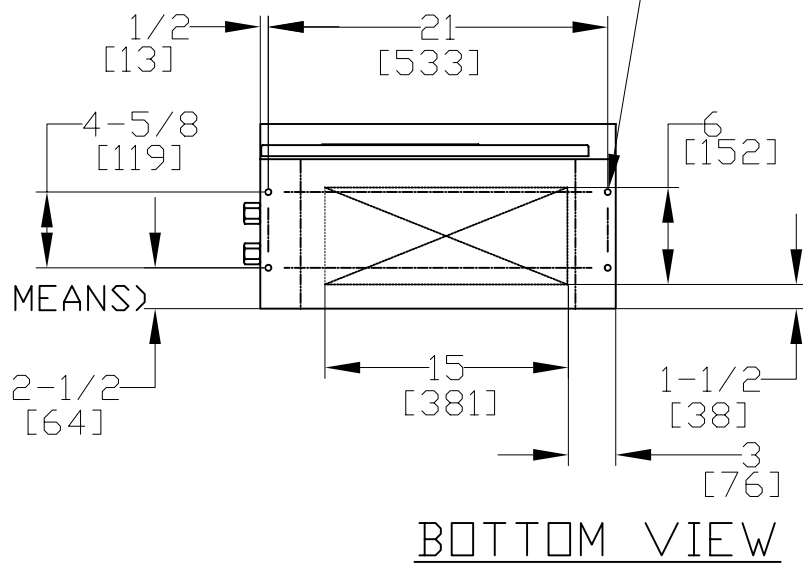
PROVISION FOR  
PADLOCK

OPTIONAL  
FLOOR  
STANDS



FRONT VIEW

Ø1/2 [13]  
MOUNTING HOLES  
(4 PLACES)



BOTTOM VIEW

- ① HUMAN INTERFACE MODULE PANEL
- ② CIRCUIT BREAKER (DISCONNECTING MEANS)
- ③ E-STOP PUSHBUTTON
- ④ EMERGENCY RUN HANDLE
- ⑤ PRESSURE TRANSDUCER
- ⑥ SUCTION TRANSDUCER (OPTIONAL)

--- CONDUIT ENTRANCE AREAS  
(BOTH SIDES, TOP AND BOTTOM)

A10-466820-1

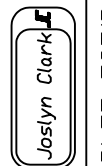
REVISIONS  
RELEASED PER  
ECN L00246

DES LVL  
E  
REV.

A10-466820-1

SHEET 1 OF 1 SHEET

JOSLYN CLARK CONTROLS, LLC  
LANCASTER, S.C. USA 29720-8842



FILE: 466820-1

PLOT FCT'R:

TITLE BUL. E10663 LIMITED SERVICE PUMP CONTROLLER

MADE BY L&T APP'D BY JMD DATE 01/16/09