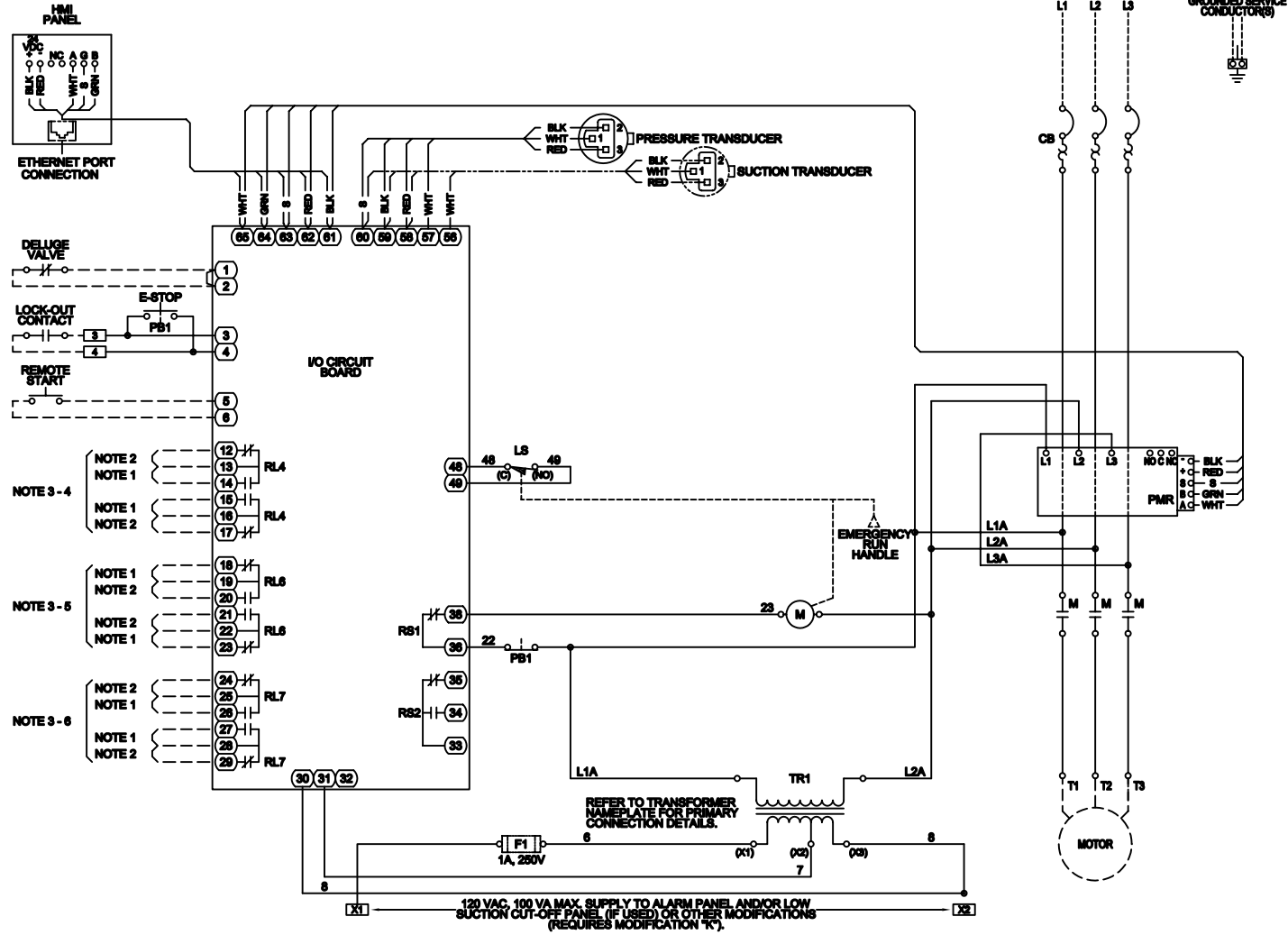


1-10663-1

REVISIONS
NEW RELEASE
PER ECN L00246



- NOTES:
- 1 - NORMALLY OPEN, CLOSSES TO ALARM
 - 2 - NORMALLY CLOSED, OPENS TO ALARM
 - 3 - CONTACT RATING: 5 AMP MAX, 240 VAC, 30 VDC
 - 4 - REMOVE JUMPER WHEN DELUGE VALVE IN USE

- DRAWING LEGEND
- - - CUSTOMER SUPPLIED COMPONENT OR WIRING
 - CUSTOMER CONNECTION TERMINAL BLOCK
 - I/O CIRCUIT BOARD CONNECTION
 - ⊗ DEVICE TERMINATION AND DESIGNATION
 - ⊕ OPTIONAL EQUIPMENT

TITLE BUL. E10663 LIMITED SERVICE CONTROLLERS
THREE PHASE WIRING SCHEMATIC

MADE BY NS APPD JMO
DATE 01/16/09

JOSLYN CLARK CONTROLS, LLC
LANCASTER, SC USA 29720-8842

SCALE: 1 FILE: 10663-1-E

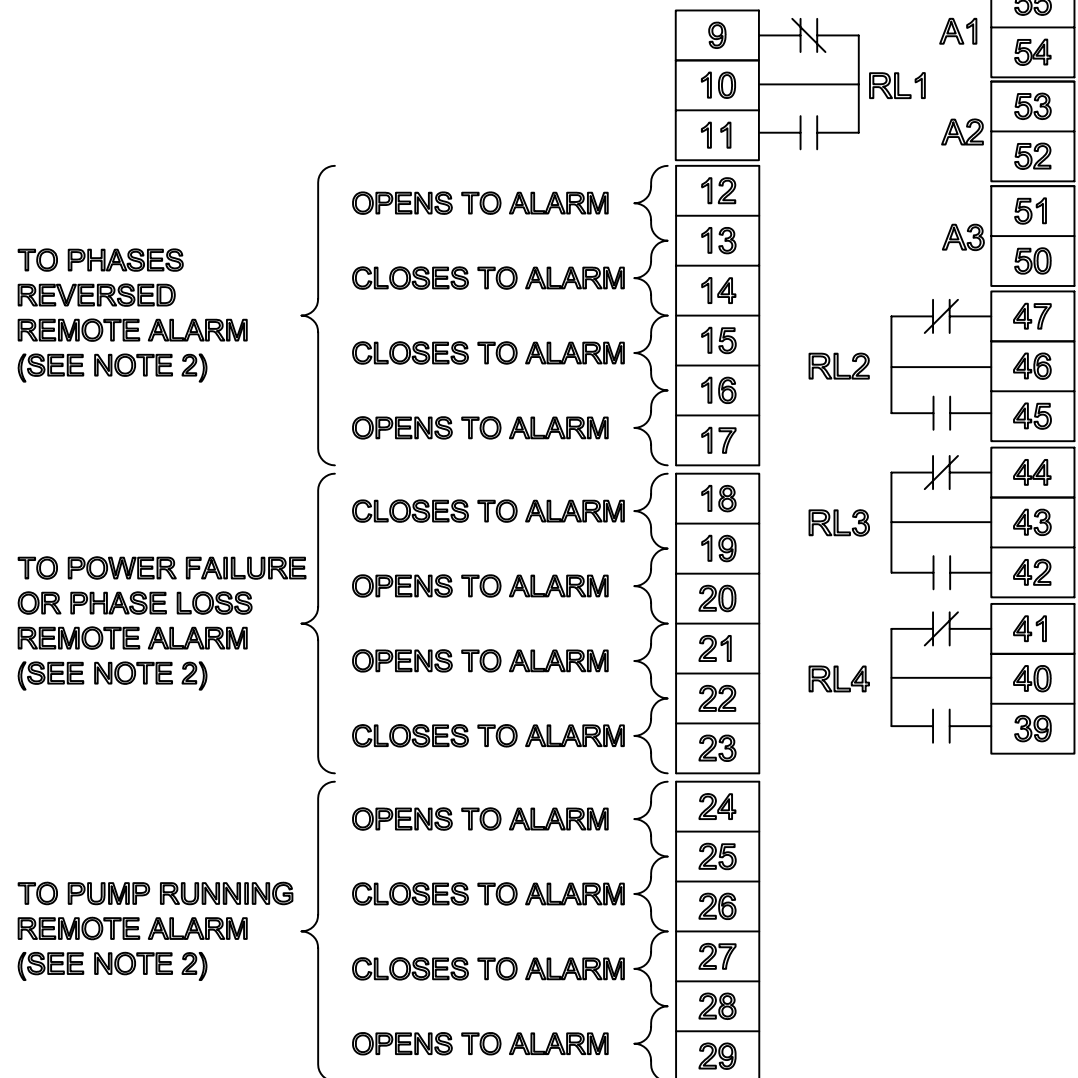
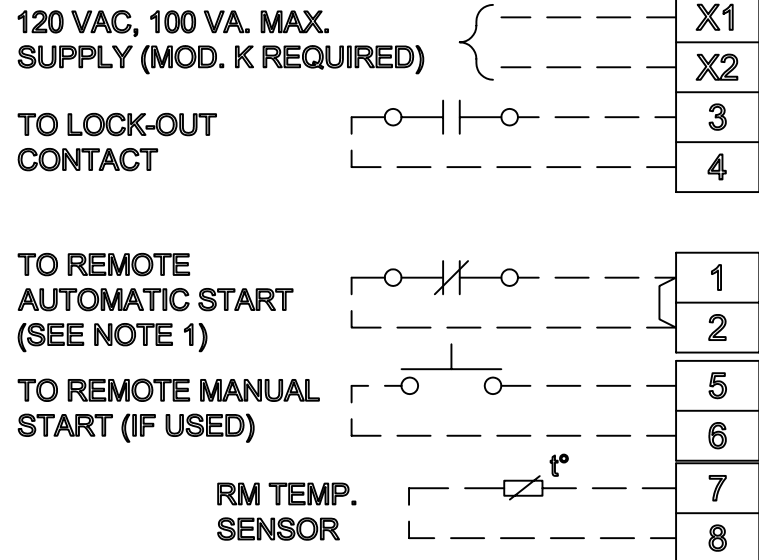
A 10-10663-1

SHEET 1 OF 1

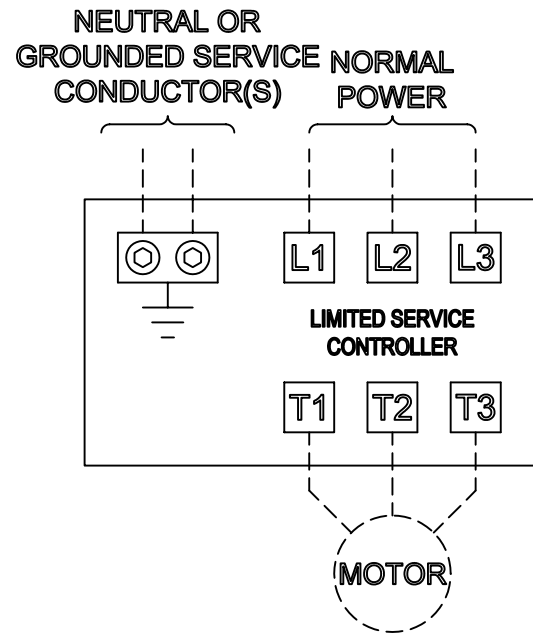
DES. LVL. **E**
REV.

SUITABLE FOR USE AS SERVICE EQUIPMENT

REVISIONS
NEW RELEASE
PER ECN L00246



- NOTES:**
- REMOVE JUMPER IF A REMOTE AUTOMATIC START DEVICE IS USED. THE CONTACT ON THE DEVICE OPEN TO START THE PUMP.
 - ALARM CONTACT RATING: 5 AMP MAX. 240 VAC, 30 VDC.



WATER PRESSURE CONNECTION
1/2" FNPT

LINE TERMINAL LUG SIZE (PER PHASE)					
HORSEPOWER					WIRE CAPACITY (COPPER WIRE)
200 V.	230 V.	400 V.	460 V.	575 V.	
3 - 10	3 - 10	3 - 20	3 - 25	3 - 30	(1) # 14 AWG - #3 AWG (1) #6 AWG - #2/0 AWG (1) #1 AWG - #3/0 AWG
15	15 - 20	25 - 30	30	---	
20 - 30	25 - 30	---	---	---	
MOTOR TERMINAL LUG SIZE (PER PHASE)					
3 - 15	3 - 20	3 - 30	3 - 30	3 - 30	(1) #14 AWG - #4 AWG (1) #8 AWG - #2/0 AWG
20 - 30	25 - 30	---	---	---	
NEUTRAL OR GROUNDED SERVICE CONDUCTOR(S)					
ALL HORSEPOWERS		GROUNDING SERVICE CONDUCTOR		GROUNDING ELECTRODE CONDUCTOR	
				(2) #14 AWG - #1/0 AWG (1) #14 AWG - #4 AWG	

CONDUCTOR NOTES

- FOR PROPER WIRE SIZING, REFER TO THE NATIONAL ELECTRICAL CODE, NFPA 70 OR OTHER LOCAL CODES.
- CONTROLLER IS PHASE ROTATION SENSITIVE, OBSERVE PHASE ROTATION, L1-L2-L3 MUST BE IN ABC SEQUENCE.
- THE LINE AND MOTOR TERMINALS WILL ACCOMMODATE, AS A MINIMUM, COPPER CABLES CAPABLE OF CARRYING 125% OF THE MOTOR FULL LOAD CURRENT.