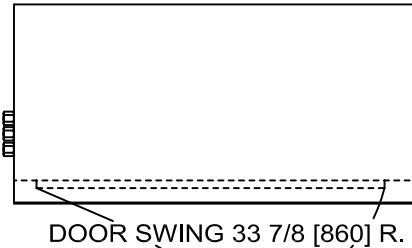
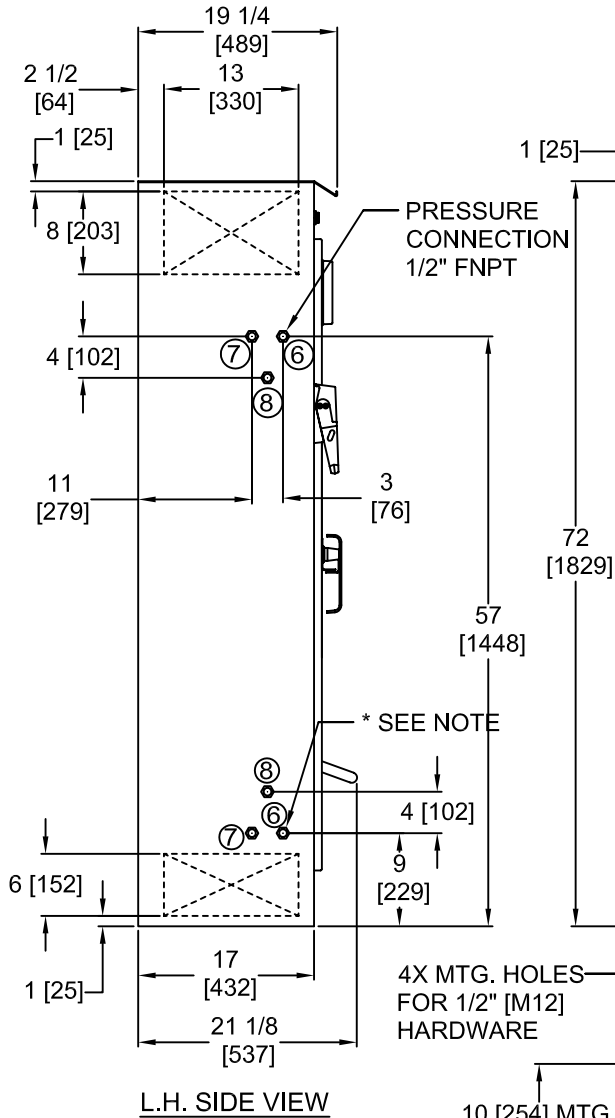


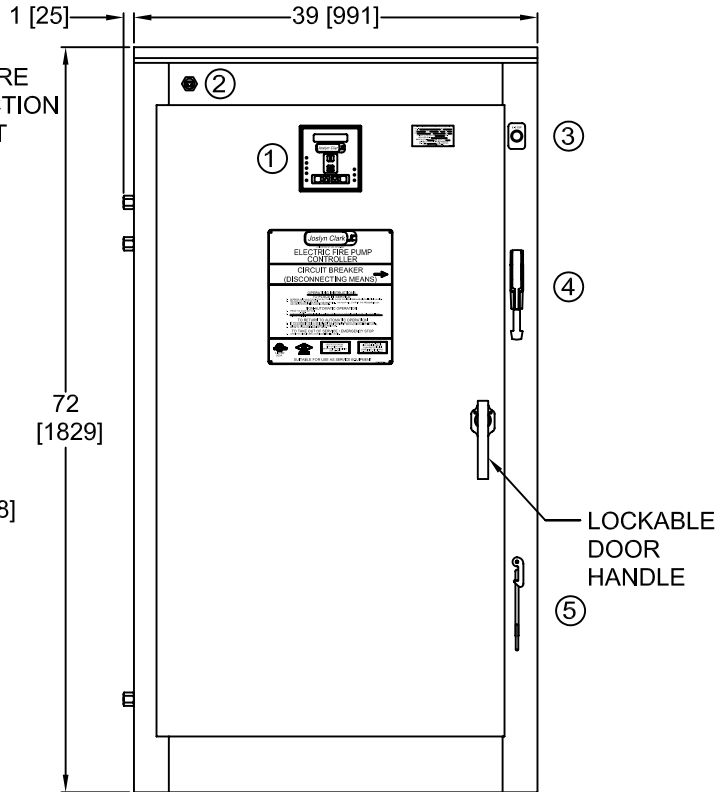
# CABINET OUTLINE

TYPE 2 [IP11] , 3R [IP14]  
OR 12 [IP52] ENCLOSURE.

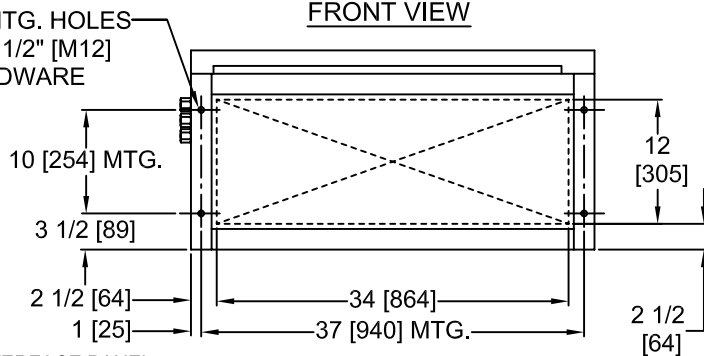
ALL DIMENSIONS ARE  
SHOWN IN INCHES / [mm]



TOP VIEW



FRONT VIEW



BOTTOM VIEW

**\* TRANSDUCER LOCATION NOTE:**  
TRANSDUCER CONNECTIONS AT  
THIS LOCATION ARE APPLICABLE  
ONLY TO E10650 FPC's.

A10-466652-5

REVISIONS

RELEASED PER  
ECN 17009.

A: MODIFIED PER ECR  
E00799. L&T/11-02-10

- ① OPERATOR INTERFACE PANEL
- ② ETHERNET PORT CONNECTION
- ③ E-STOP PUSHBUTTON
- ④ DISCONNECTING MEANS HANDLE
- ⑤ EMERGENCY START HANDLE
- ⑥ PRESSURE TRANSDUCER
- ⑦ TEST VALVE DRAIN
- ⑧ SUCTION TRANSDUCER (OPTIONAL)

CONDUIT ENTRANCE  
AREA (BOTH SIDES &  
BOTTOM OF ENCL.)

|   |   |                    |              |
|---|---|--------------------|--------------|
| DESIGN  | E | REV.               | A            |
| TITLE BUL. E10620, E10630, E10650, E10680 & E10690 FIRE PUMP CONTROLLER |   | FILE: 466652-5     |              |
| JOSLYN CLARK CONTROLS, LLC<br>LANCASTER, S.C. USA 29720-8842            |   | PLOT<br>FCTR: 1/18 |              |
| MADE BY JMO   |   | APP'D BY JRL       | DATE 4/30/08 |
| A10-466652-5  |   | SHEET 1 OF 1 SHEET |              |