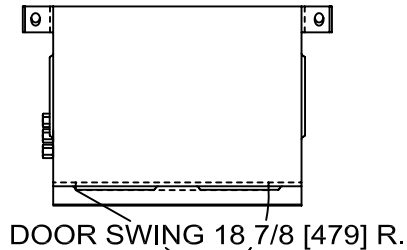


CABINET OUTLINE

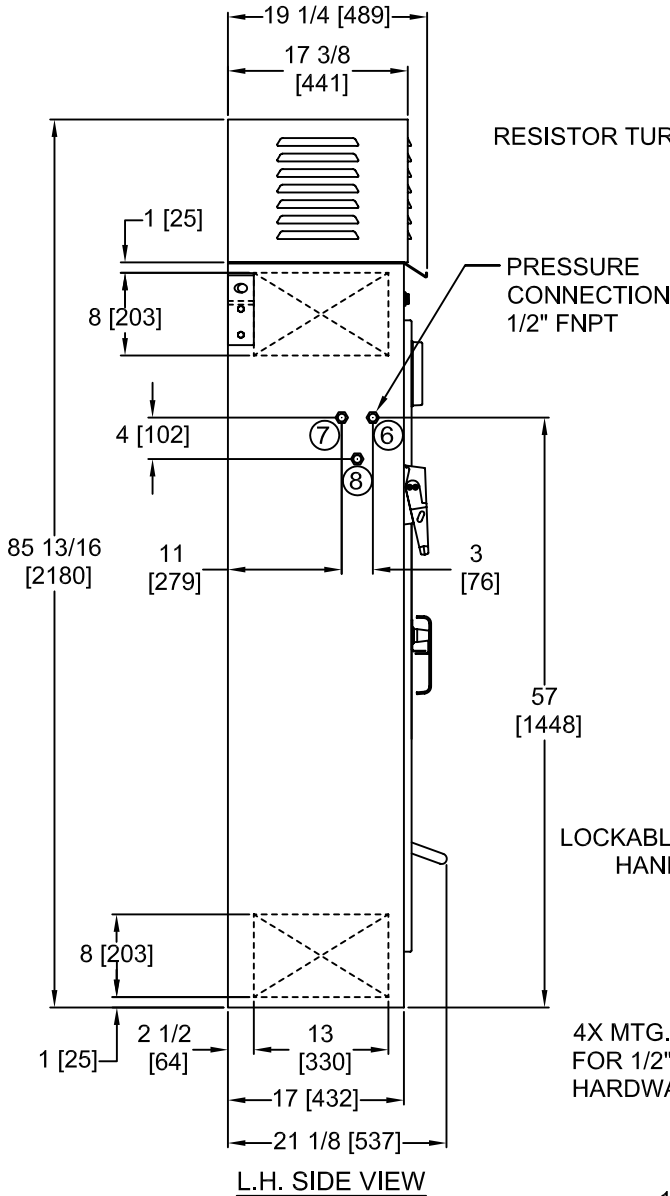
TYPE 2 [IP11], 3R [IP14]
OR 12 [IP52] ENCLOSURE.

ALL DIMENSIONS ARE
SHOWN IN INCHES / [mm]

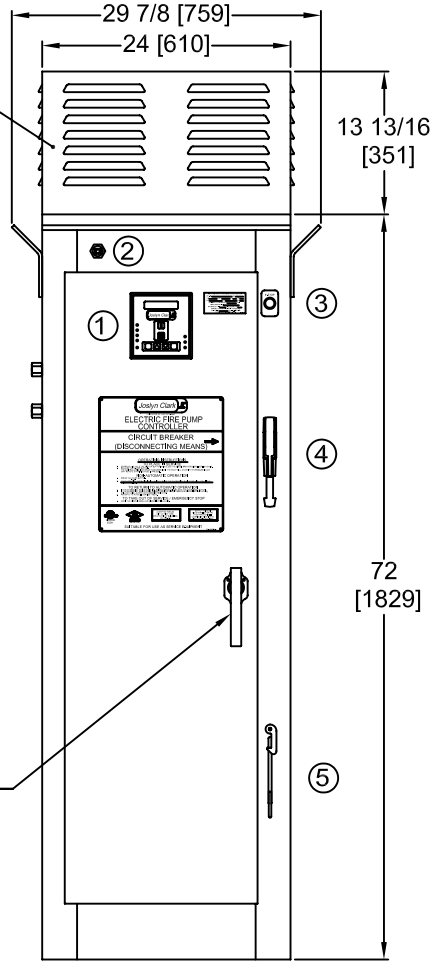
 CONDUIT ENTRANCE AREA
(BOTH SIDES & BOTTOM OF ENCL.)



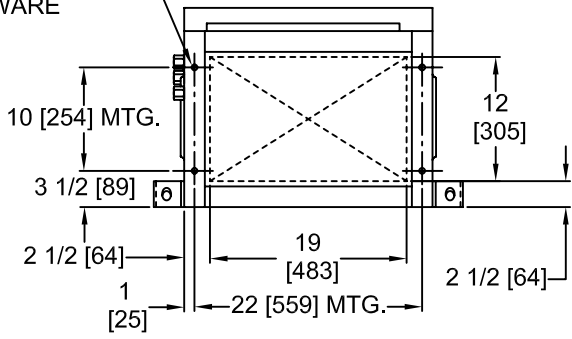
TOP VIEW



L.H. SIDE VIEW



FRONT VIEW



BOTTOM VIEW

- ① OPERATOR INTERFACE PANEL
- ② ETHERNET PORT CONNECTION
- ③ E-STOP PUSHBUTTON
- ④ DISCONNECTING MEANS HANDLE
- ⑤ EMERGENCY START HANDLE
- ⑥ PRESSURE TRANSDUCER
- ⑦ TEST VALVE DRAIN
- ⑧ SUCTION TRANSDUCER (OPTIONAL)

DESIGN	E	REV.	A
A10-466652-4			
SHEET 1 OF 1 SHEET			
TITLE BUL. E10640 & E10680 FIRE PUMP CONTROLLER MADE BY JMO APP'D BY JRL DATE 4/30/08		JOSLYN CLARK CONTROLS, LLC LANCASTER, S.C. USA 29720-8842 FILE: 466652-4 PLOT FCTR: 1/18	

A10-466652-4	REVISIONS
RELEASED PER ECN 17009.	
A: MODIFIED PER ECR E00799. L&T/1/02/10	