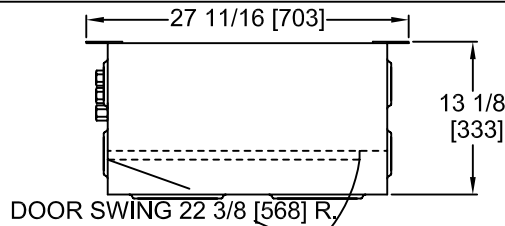
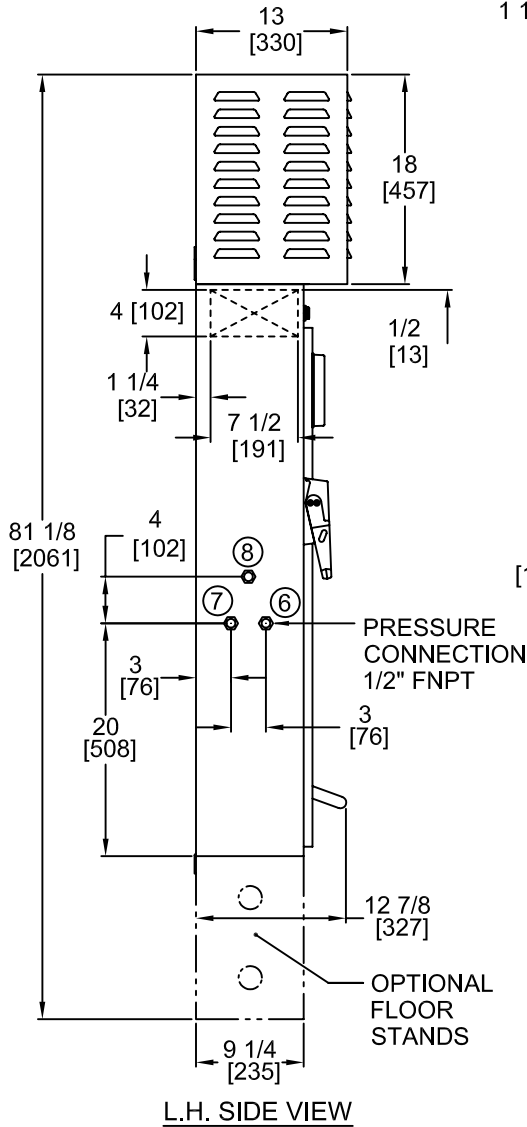


# CABINET OUTLINE

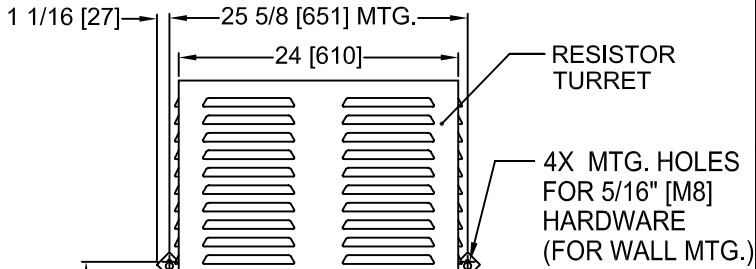
TYPE 2 [IP11], 3R [IP14]  
OR 12 [IP52] ENCLOSURE.  
ALL DIMENSIONS ARE  
SHOWN IN INCHES / [mm]



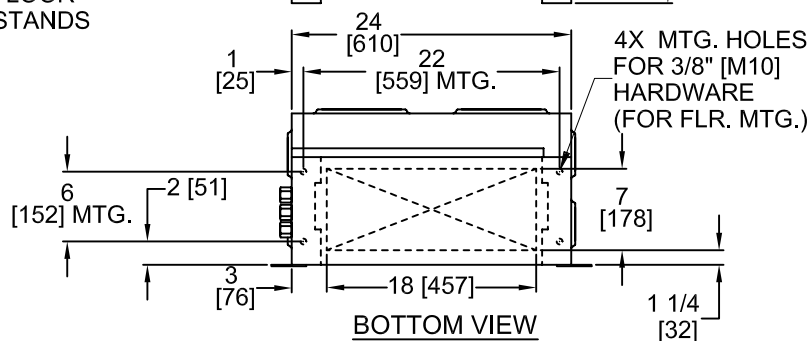
TOP VIEW



L.H. SIDE VIEW



FRONT VIEW



BOTTOM VIEW



CONDUIT ENTRANCE  
AREA (BOTH SIDES &  
BOTTOM OF ENCL.)

A10-466652-2	REVISIONS
	RELEASED PER ECN 17009.
	A: MODIFIED PER ECR. E00799. L&T/11-02-10

- ① OPERATOR INTERFACE PANEL
- ② ETHERNET PORT CONNECTION
- ③ E-STOP PUSHBUTTON
- ④ DISCONNECTING MEANS HANDLE
- ⑤ EMERGENCY START HANDLE
- ⑥ PRESSURE TRANSDUCER
- ⑦ TEST VALVE DRAIN
- ⑧ SUCTION TRANSDUCER (OPTIONAL)

DES. LVL <b>E</b>	REV. <b>A</b>	<b>A10-466652-2</b>	SHEET 1 OF 1 SHEET
JOSLYN CLARK CONTROLS, LLC ELIZABETHTOWN, NC 28337, USA		FILE: 466652-2	
TITLE BUL. E10650 & E10680 FIRE PUMP CONTROLLER		PLOT FCTR: 1/16	
MADE BY <u>JMO</u>	APP'D BY _____	JRL	DATE <u>4/30/08</u>