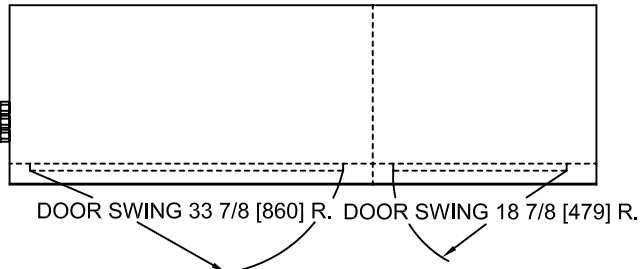


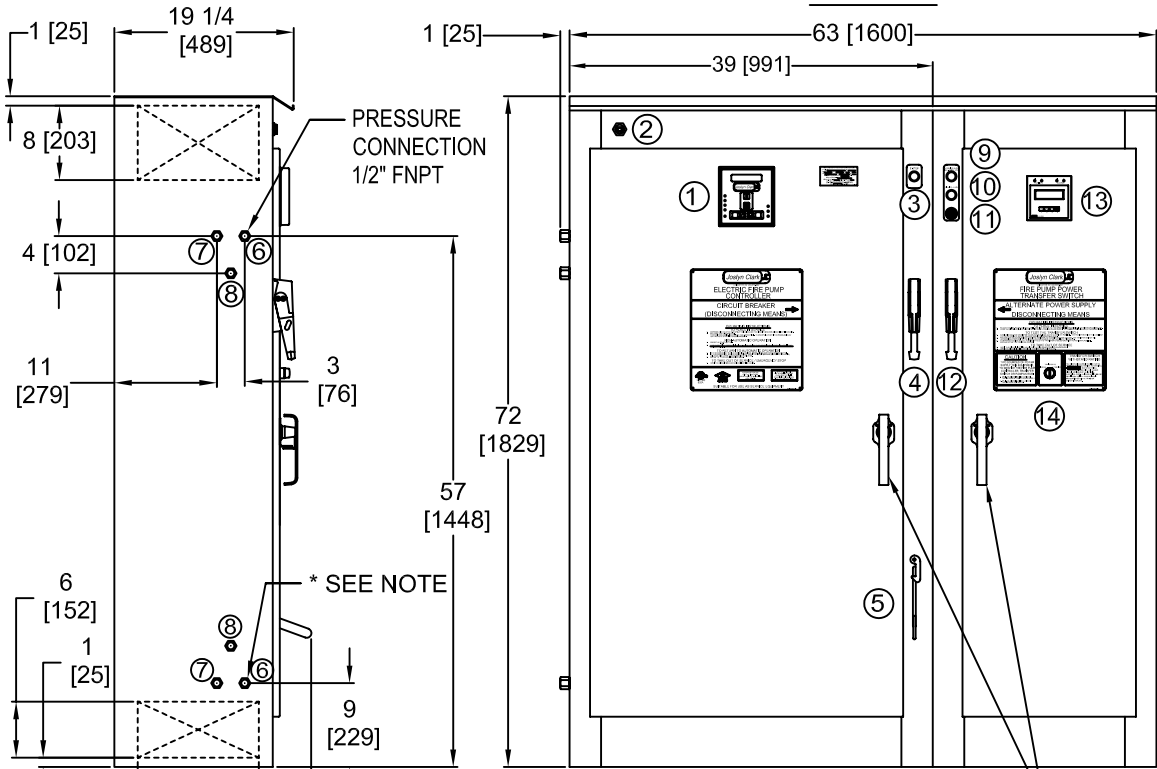
# CABINET OUTLINE

TYPE 2 [IP11], 3R [IP14]  
OR 12 [IP52] ENCLOSURE.  
ALL DIMENSIONS ARE  
SHOWN IN INCHES / [mm]

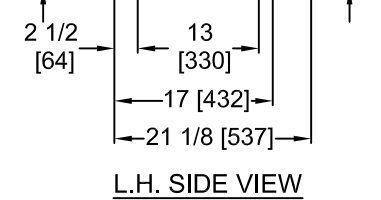
CONDUIT ENTRANCE AREA  
(BOTH SIDES & BOTTOM  
OF ENCLOSURE)



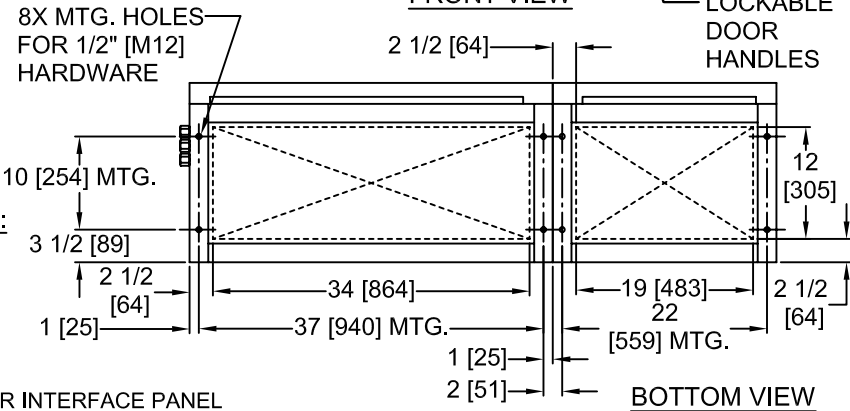
TOP VIEW



FRONT VIEW



L.H. SIDE VIEW



BOTTOM VIEW

\* TRANSDUCER LOCATION NOTE:  
TRANSDUCER CONNECTIONS  
AT THIS LOCATION ARE  
APPLICABLE ONLY TO  
E10650 FPC's.

- ① OPERATOR INTERFACE PANEL
- ② ETHERNET PORT CONNECTION
- ③ E-STOP PUSHBUTTON
- ④ NORMAL POWER DISC. MEANS HANDLE
- ⑤ EMERGENCY START HANDLE
- ⑥ PRESSURE TRANSDUCER
- ⑦ TEST VALVE DRAIN
- ⑧ SUCTION TRANSDUCER (OPTIONAL)
- ⑨ ALTERN. ISOL. SW. OPEN PILOT LIGHT
- ⑩ SILENCE ALARM PUSHBUTTON
- ⑪ AUDIBLE ALARM
- ⑫ ALTERN. SOURCE DISC. MEANS HANDLE
- ⑬ TRANSFER SWITCH STATUS PANEL
- ⑭ T/S NORMAL / ALTERNATE SEL. SW.

A10-466652-15	REVISIONS
RELEASED PER ECN 17009.	
A: MODIFIED PER ECR E00799. L&T/11-02-10	

DESIGN <b>E</b>		REV. <b>A</b>	
A10-466652-15		SHEET 1 OF 1 SHEET	
JOSLYN CLARK CONTROLS, LLC LANCASTER, S.C. USA 29720-8842		FILE: 466652-15	
TITLE BUL. E10620, E10630, E10650, E10680 & E10690 FIRE PUMP CONTROLLER MADE BY <u>JMO</u> APP'D BY <u>JRL</u> DATE <u>4/30/08</u>		PLOT FCTR: 1/20	