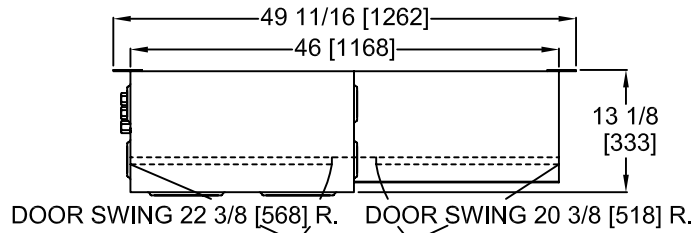
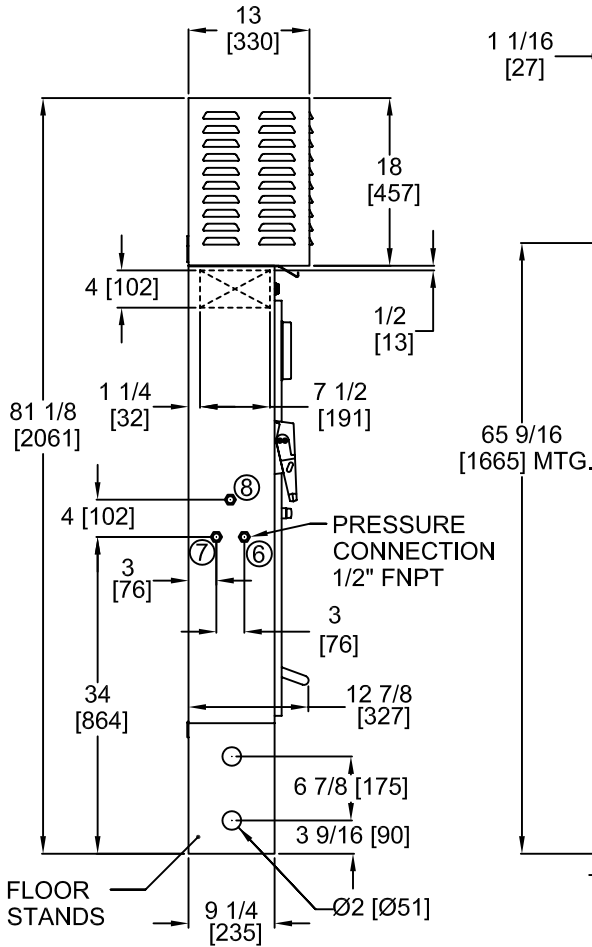


# CABINET OUTLINE

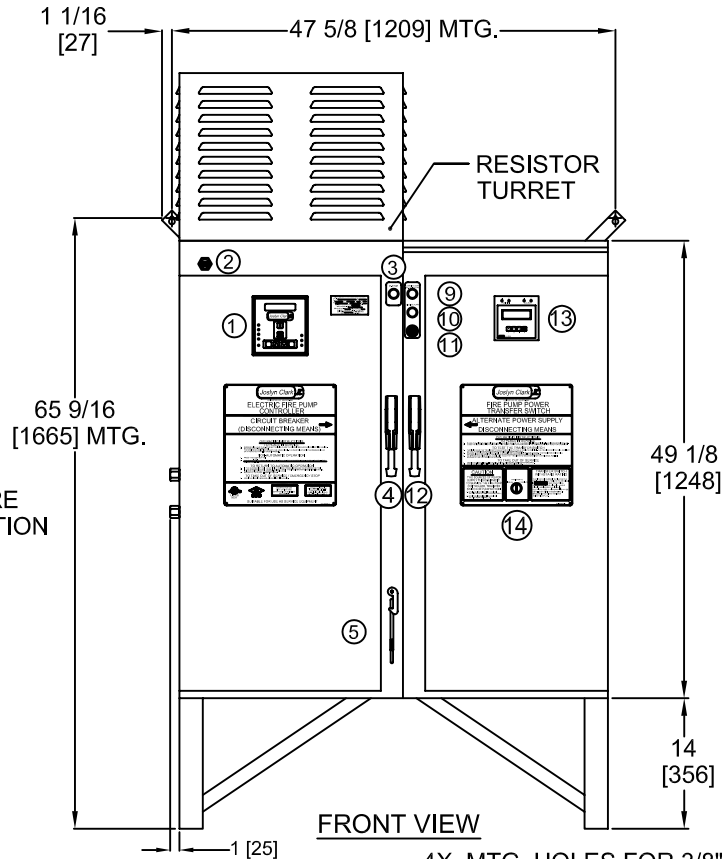
TYPE 2 [IP11], 3R [IP14]  
OR 12 [IP52] ENCLOSURE.  
ALL DIMENSIONS ARE  
SHOWN IN INCHES / [mm]



TOP VIEW

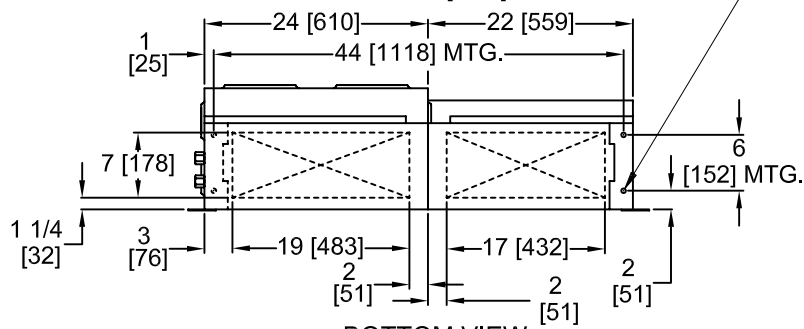


L.H. SIDE VIEW



FRONT VIEW

4X MTG. HOLES FOR 3/8" [M10] HARDWARE



BOTTOM VIEW

CONDUIT ENTRANCE  
AREA (BOTH SIDES &  
BOTTOM OF ENCL.)

A10-466652-12	REVISIONS
	RELEASED PER ECN 17009.
	A: MODIFIED PER ECR E00799, L&T/11-02-10

- ① OPERATOR INTERFACE PANEL
- ② ETHERNET PORT CONNECTION
- ③ E-STOP PUSHBUTTON
- ④ NORMAL POWER DISC. MEANS HANDLE
- ⑤ EMERGENCY START HANDLE
- ⑥ PRESSURE TRANSDUCER
- ⑦ TEST VALVE DRAIN
- ⑧ SUCTION TRANSDUCER (OPTIONAL)
- ⑨ ALTERN. ISOL. SW. OPEN PILOT LIGHT
- ⑩ SILENCE ALARM PUSHBUTTON
- ⑪ AUDIBLE ALARM
- ⑫ ALTERN. SOURCE DISC. MEANS HANDLE
- ⑬ TRANSFER SWITCH STATUS PANEL
- ⑭ T/S NORMAL / ALTERNATE SEL. SW.

DESIGN	E	REV.	A	
A10-466652-12				SHEET 1 OF 1 SHEET
JOSLYN CLARK CONTROLS, LLC LANCASTER, S.C. USA 29720-8842		FILE: 466652-12		
TITLE BUL. E10650 & E10680 FIRE PUMP CONTROLLER MADE BY JMO APP'D BY JRL DATE 4/30/08				PLOT FCTR: 1/20