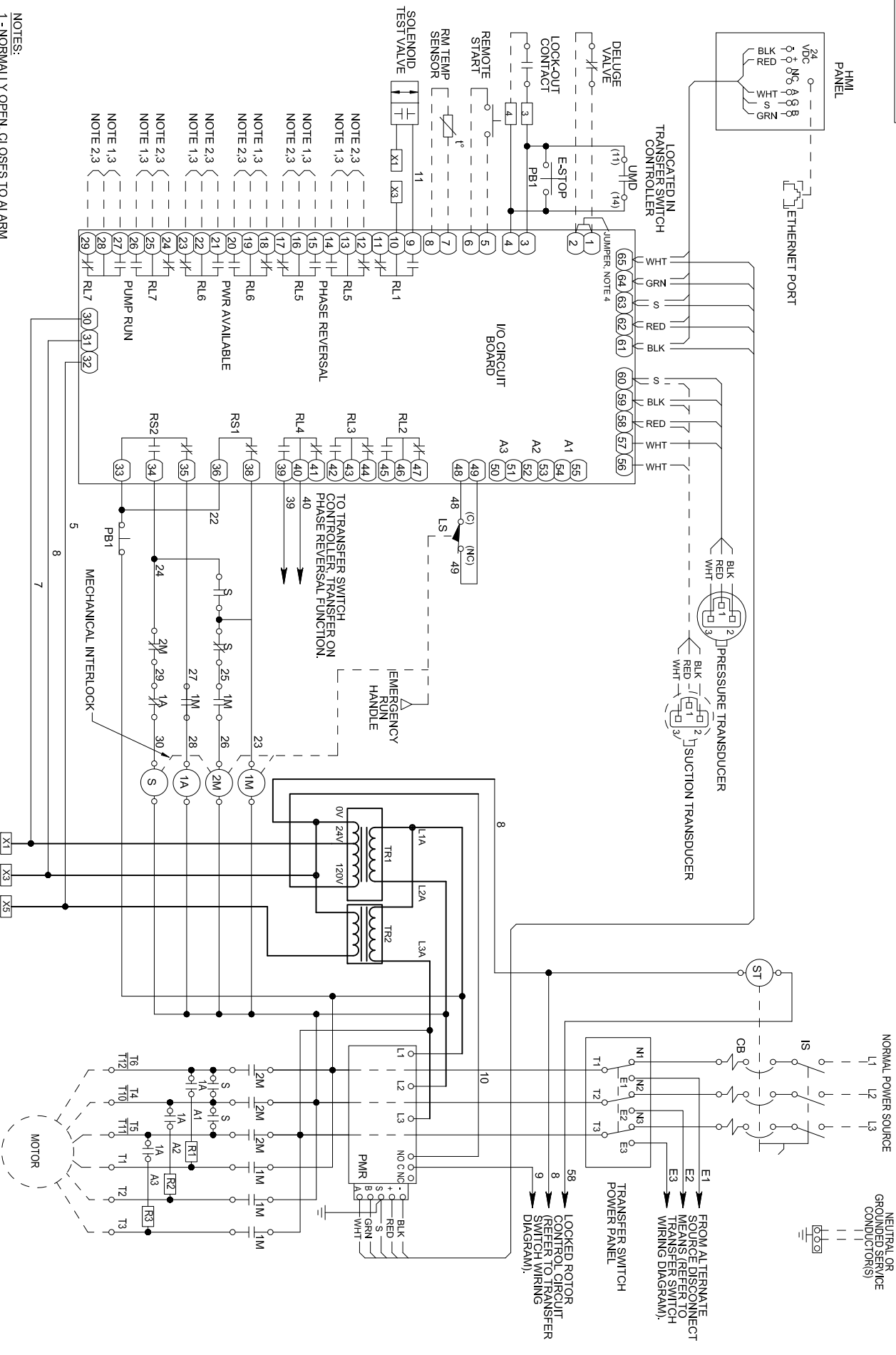


REVISIONS
NEW RELEASE
PER ECN L00141
REV A: 05-24-10
REVERSE N.O. & N.C. CONTACTS OF R.L1, R2 & TR3 ADDED.
ADD TEST SOLENOID TO R.L1.
ECN E00705, L&T



- NOTES:
- 1 - NORMALLY OPEN, CLOSURES TO ALARM
 - 2 - NORMALLY CLOSED, OPENS TO ALARM
 - 3 - CONTACT RATING: 5 AMP MAX., 240 VAC, 30 VDC
 - 4 - REMOVE JUMPER WHEN DELUGE VALVE IN USE

JOSLYN CLARK CONTROLS, LLC
 ELIZABETHOWN, NC 28337 USA

FILE: 10680-21E

A10-10680-21

SHEET 1 OF 1

SCALE: 0.5

DATE: 06/03/08

SDC APPD DJD

TITLE: BUL. 10680 FIREPUMP CONTROLLERS, WYE DELTA CLOSED TRANSITION MADE BY STARTING WITH TRANSFER SWITCH (DUAL UTILITY CONTROL)

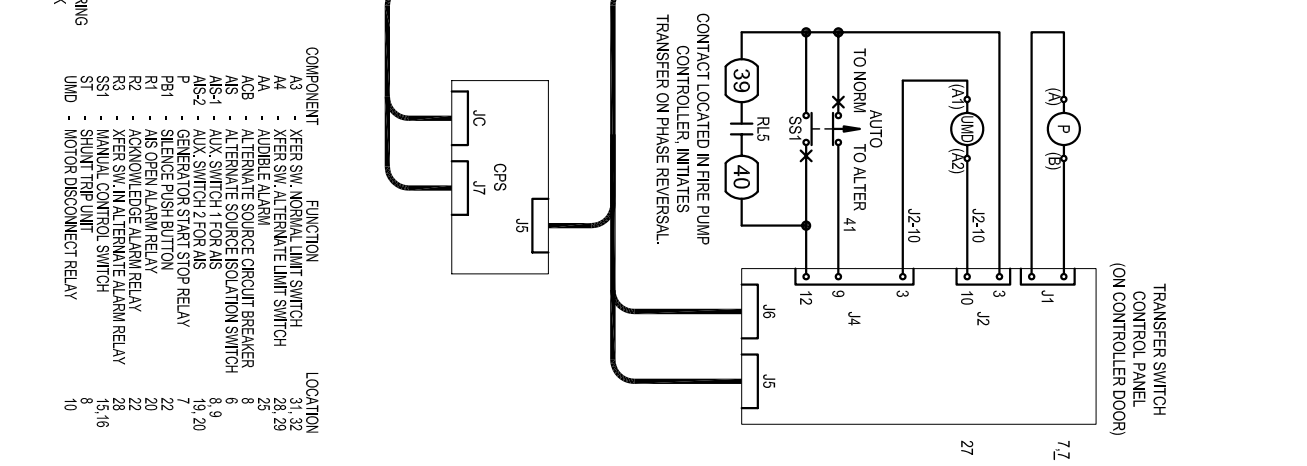
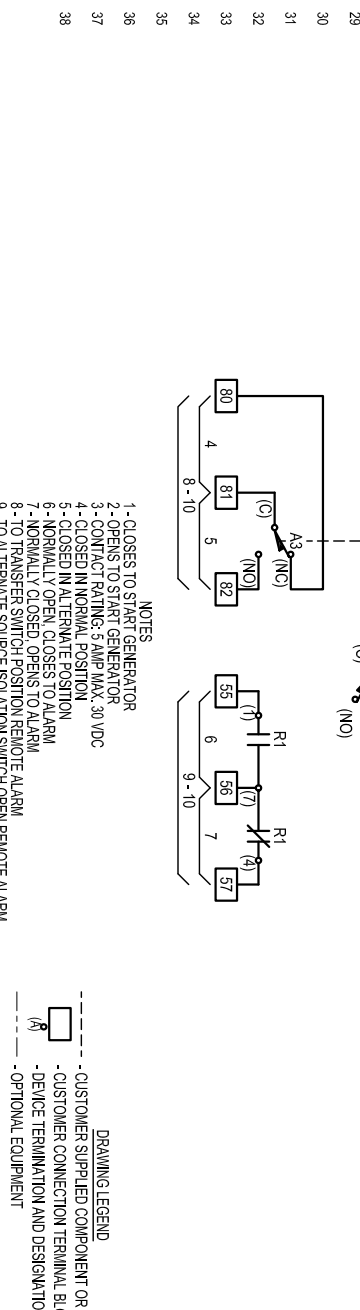
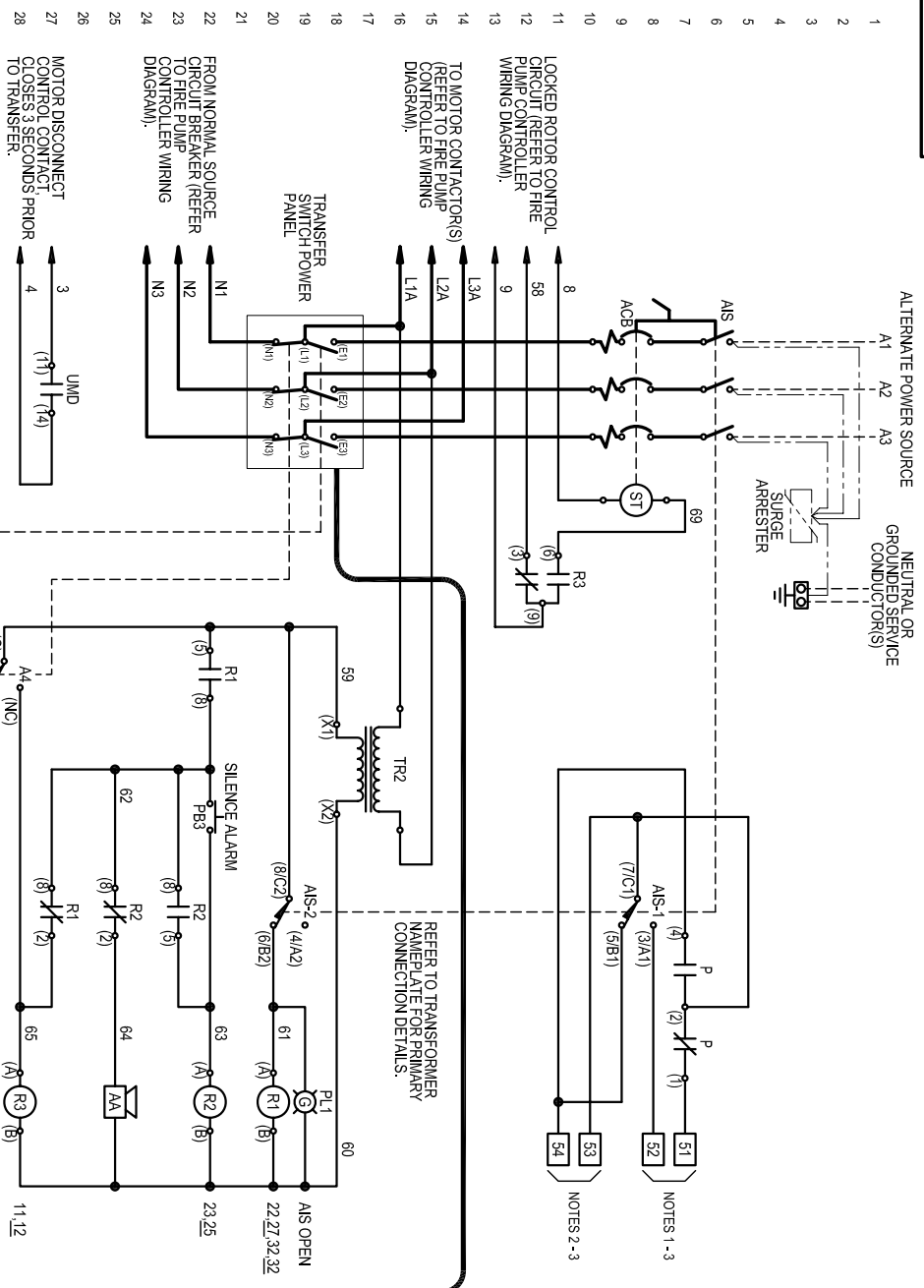
DRAWING LEGEND:

- CUSTOMER SUPPLIED COMPONENT OR WIRING
- CUSTOMER CONNECTION TERMINAL BLOCK
- I/O CIRCUIT BOARD CONNECTION
- DEVICE TERMINATION AND DESIGNATION
- OPTIONAL EQUIPMENT

L2-00901-01 A

SUITABLE FOR USE AS SERVICE EQUIPMENT

REVISIONS
NEW RELEASE
PER ECN 16990.



COMPONENT	FUNCTION	LOCATION
A3	XFER SW, NORMAL LIMIT SWITCH	31, 32
AA	XFER SW, ALTERNATE LIMIT SWITCH	28, 29
AA	AUDIBLE ALARM	8
AOB	ALTERNATE SOURCE CIRCUIT BREAKER	6
AIS	ALTERNATE SOURCE ISOLATION SWITCH	8, 9
AIS-1	AUX SWITCH 1 FOR AIS	19, 20
AIS-2	AUX SWITCH 2 FOR AIS	7
P	GENERATOR START STOP RELAY	22
PB1	SILENCE PUSH BUTTON	20
R1	AIS OPEN ALARM RELAY	22
R2	ACKNOWLEDGE ALARM RELAY	22
R3	XFER SW IN ALTERNATE ALARM RELAY	15, 16
SS1	MANUAL CONTROL SWITCH	8
ST	SHUNT TRIP UNIT	10
UMD	MOTOR DISCONNECT RELAY	

- NOTES**
- 1 - CLOSES TO START GENERATOR
 - 2 - OPENS TO START GENERATOR
 - 3 - CONTACT RATING: 5 AMP MAX, 30 VDC
 - 4 - CLOSED IN NORMAL POSITION
 - 5 - CLOSED IN ALTERNATE POSITION
 - 6 - NORMALLY OPEN, CLOSES TO ALARM
 - 7 - NORMALLY CLOSED, OPENS TO ALARM
 - 8 - TO TRANSFER SWITCH POSITION, REMOTE TO ALARM
 - 9 - TO ALTERNATE SOURCE ISOLATION SWITCH, OPEN REMOTE ALARM
 - 10 - CONTACT RATING: 5 AMP MAX, 280 VAC, 28 VDC

- DRAWING LEGEND**
- - - CUSTOMER SUPPLIED COMPONENT OR WIRING
 - CUSTOMER CONNECTION TERMINAL BLOCK
 - (A) DEVICE TERMINATION AND DESIGNATION
 - - - OPTIONAL EQUIPMENT

TITLE: BUL 10600 FIRE PUMP CONTROLLER AUTOMATIC TRANSFER SWITCH
FOR DUAL UTILITY CONTROL

MADE BY: KJK
DATE: 12/17/07
APP'D: JMO

JOSEPH CLARK
LANCASTER, SC USA 29720-8842

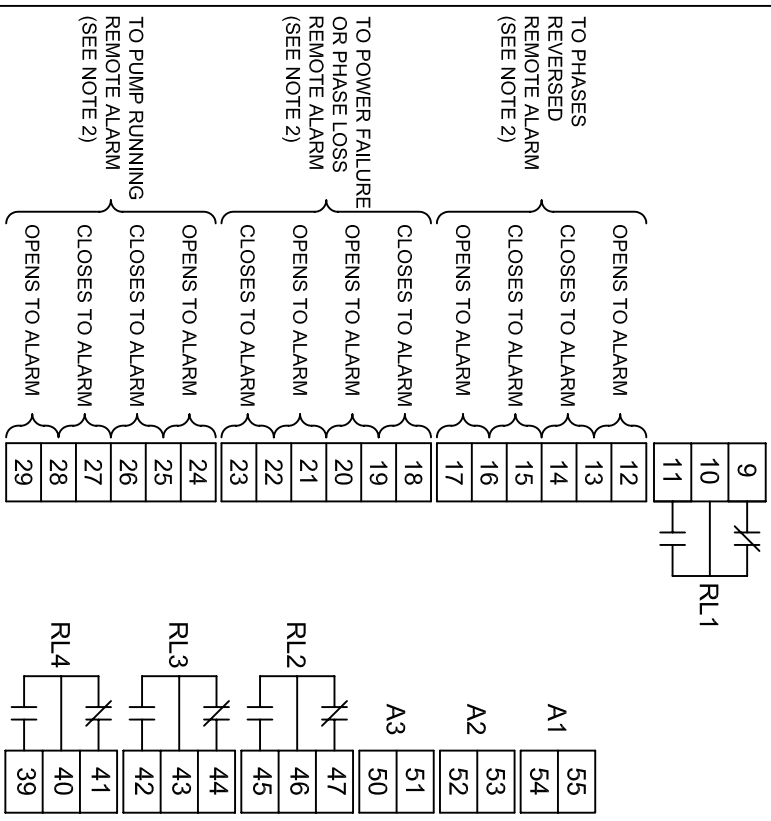
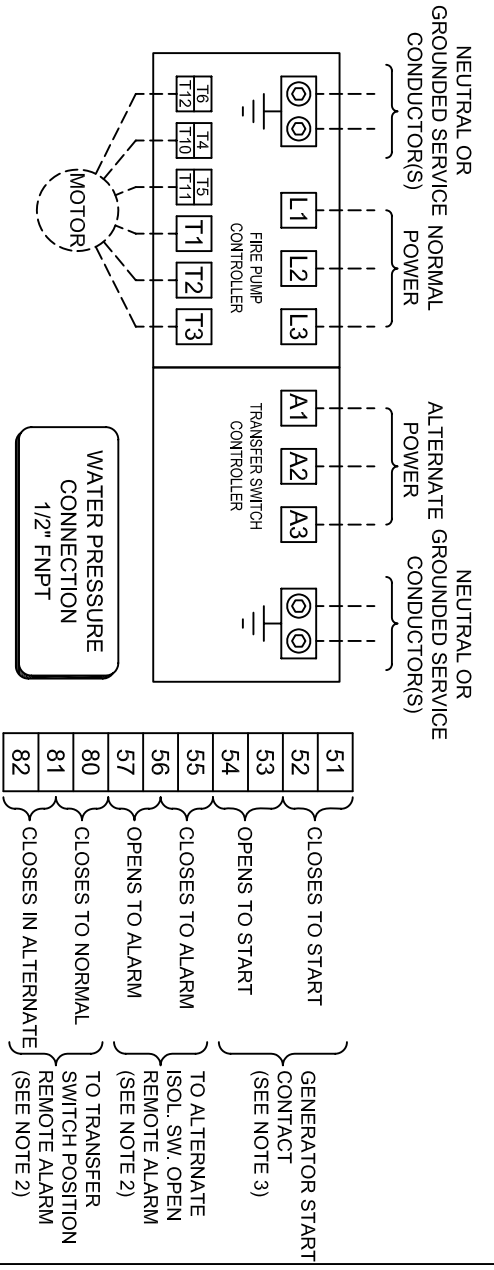
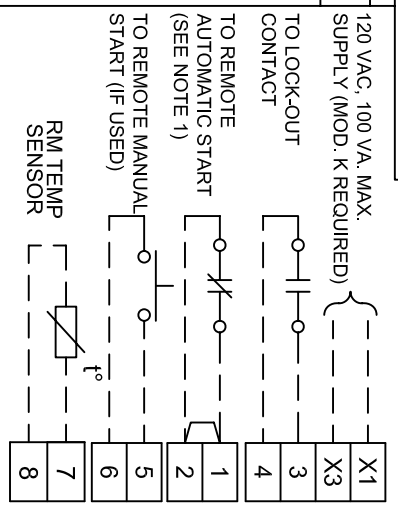
A 10-10600-21

DESIGN: D
REV: 1

22-08901-01 A

SUITABLE FOR USE AS SERVICE EQUIPMENT

REVISIONS
NEW RELEASE PER EON L00141



LINE TERMINAL LUG SIZE (PER PHASE)

HORSEPOWER	WIRE CAPACITY (COPPER WIRE)					
	200 V.	230 V.	380 V.	415 V.	460 V.	575 V.
5 - 25	5 - 30	5 - 50	5 - 60	5 - 60	5 - 75	(1) # 10 AWG - #1/0 AWG
30	---	60	75	75	100	(1) #3 AWG - #3/0 AWG
40 - 60	40 - 75	75 - 125	100 - 150	100 - 150	125 - 200	(1) #6 AWG - 350 KCMLL
75 - 150	100 - 200	150 - 350	200 - 350	200 - 400	250 - 500	(2) #3/0 AWG - 500 KCMLL
---	---	---	---	450	---	(3) #3/0 AWG - 500 KCMLL

MOTOR TERMINAL LUG SIZE (PER PHASE)

5 - 30	5 - 30	5 - 60	5 - 60	5 - 60	5 - 75	(1) #10 AWG - #1/0 AWG
40 - 50	40 - 50	75	75	75 - 100	100 - 125	(1) #8 AWG - #2/0 AWG
60 - 75	60 - 100	100 - 150	100 - 150	125 - 200	150 - 200	(1) #6 AWG - 250 KCMLL
100 - 150	125 - 200	200 - 350	200 - 350	250 - 450	250 - 500	(1) #4 AWG - 500 KCMLL

NEUTRAL OR GROUNDING CONDUCTORS

5 - 25	5 - 30	5 - 50	5 - 60	5 - 60	5 - 75	(2) # 14 AWG - #1/0 AWG
30 - 60	40 - 75	60 - 125	75 - 150	75 - 150	100 - 200	(2) #6 AWG - 250 KCMLL
75 - 100	100 - 125	150 - 200	200 - 250	200 - 250	250 - 350	(2) #2 AWG - 600 KCMLL
125 - 150	150 - 200	250 - 350	300 - 350	300 - 400	400 - 500	(4) #6 AWG - 600 KCMLL

CONDUCTOR NOTES

- FOR PROPER WIRE SIZING, REFER TO THE NATIONAL ELECTRICAL CODE, NFPA 70 OR OTHER LOCAL CODES.
- CONTROLLER IS PHASE ROTATION SENSITIVE. OBSERVE PHASE ROTATION. L1-L2-L3 MUST BE IN ABC SEQUENCE.
- THE LINE AND MOTOR TERMINALS WILL ACCOMMODATE, AS A MINIMUM, COPPER CABLES CAPABLE OF CARRYING 125% OF THE MOTOR FULL LOAD CURRENT.
- (6) MOTOR LEADS ARE REQUIRED, EACH LEAD CARRIES 0.578 x MOTOR FLA.

NOTES:

1. REMOVE JUMPER IF A REMOTE AUTOMATIC START DEVICE IS USED. THE CONTACT ON THE DEVICE OPEN TO START THE PUMP.
2. ALARM CONTACT RATING: 5 AMP MAX. 240 VAC. 30 VDC.
3. GENERATOR START CONTACT RATING: 5 AMP MAX. 30 VDC.

TITLE BLU. 10680 FIRE PUMP CONTROLLERS, WYE-DELTA CLOSED TRANSITION
STARTING WITH TRANSFER SWITCH (DUAL UTILITY CONTROL)

MADE BY SDC DATE 06/03/08

APP'D DJP FILE: 10680-22-E

JOSLYN CLARK CONTROLS, LLC
 LANCASTER, SC USA 29720-8842
A 10-10680-22

DESIGN **E**
 REV