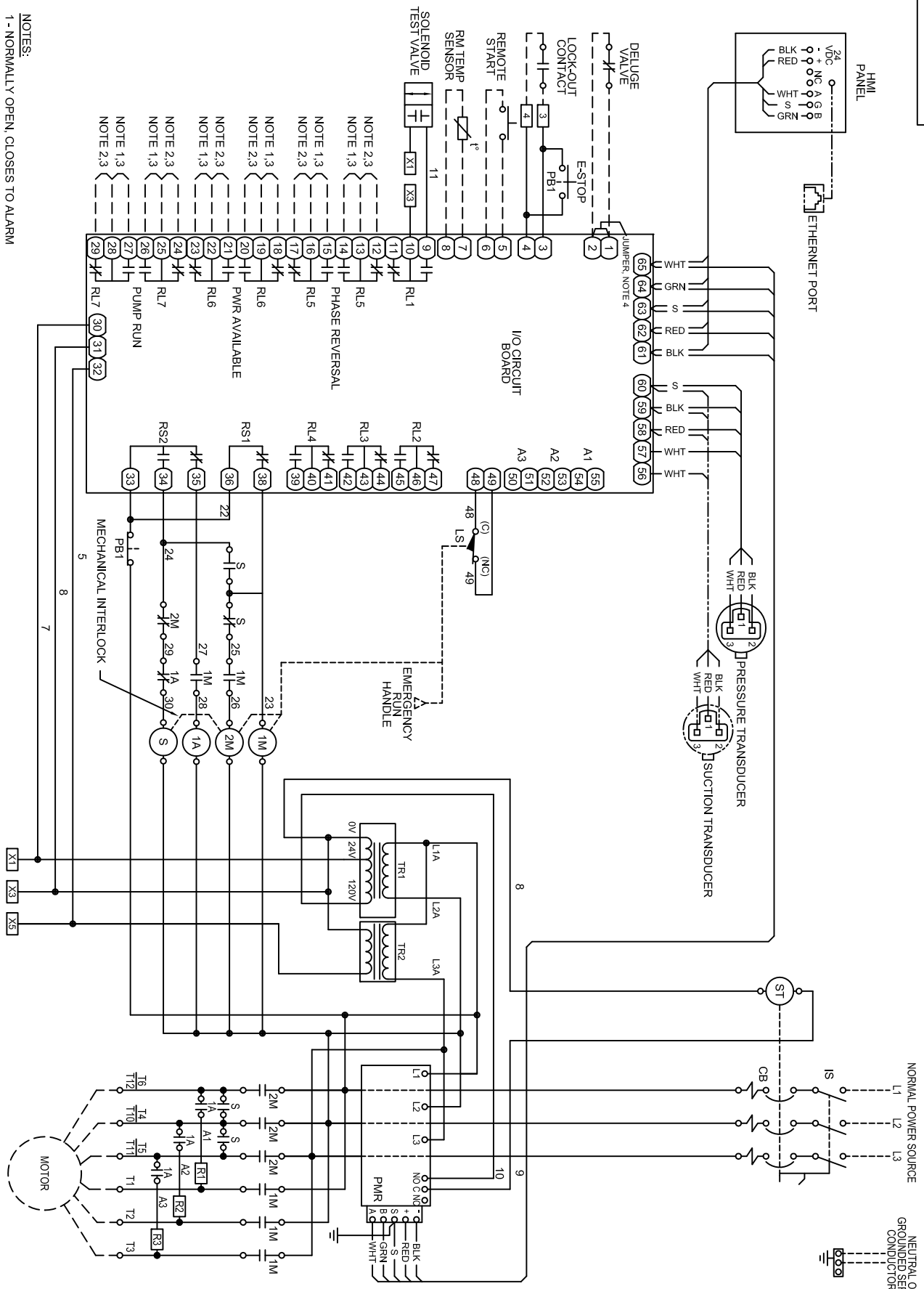


# 1-10890-11 A

REVISIONS
NEW RELEASE
PER ECN L00141
REV.A: 05-24-10
REVERSE N.O. & N.C. CONTACTS OF RL1, TR2 & TR3 ADDED.
ADD TEST SOLENOID TO RL1.
ECN E00705, L&T



- NOTES:
- 1 - NORMALLY OPEN, CLOSURES TO ALARM
  - 2 - NORMALLY CLOSED, OPENS TO ALARM
  - 3 - CONTACT RATING: 5 AMP MAX, 240 VAC, 30 VDC
  - 4 - REMOVE JUMPER WHEN DELUGE VALVE IN USE

**DRAWING LEGEND**

- - - CUSTOMER SUPPLIED COMPONENT OR WIRING
- - - CUSTOMER CONNECTION TERMINAL BLOCK
- - - I/O CIRCUIT BOARD CONNECTION
- - - DEVICE TERMINATION AND DESIGNATION
- (A) - OPTIONAL EQUIPMENT

TITLE BUJL 106880 FIREPUMP CONTROLLERS  
WYE DELTA CLOSED TRANSITION STARTING

MADE BY SDC APP'D DJD  
 DATE 06/03/08

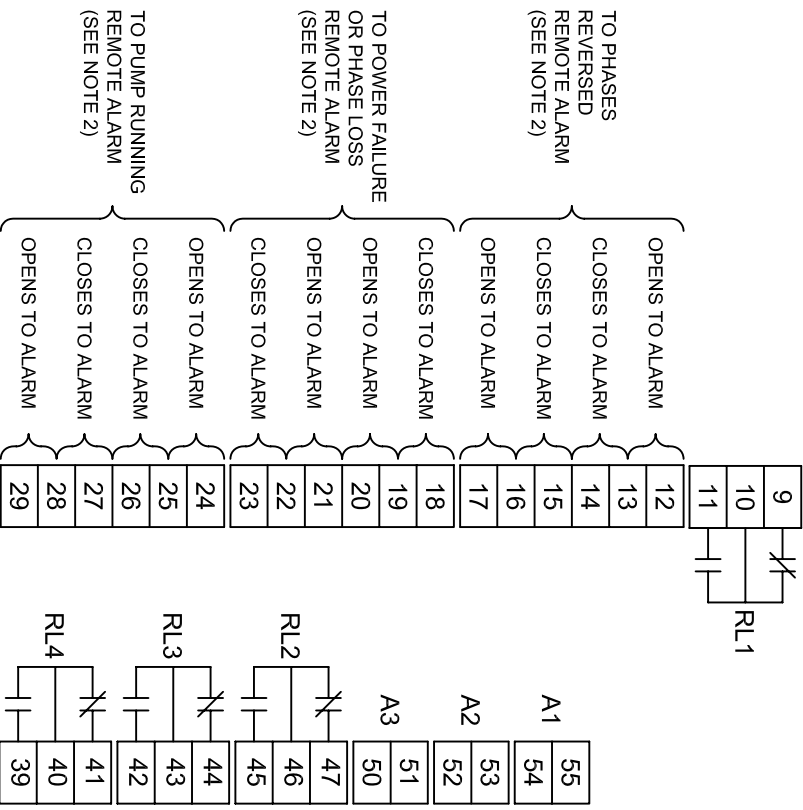
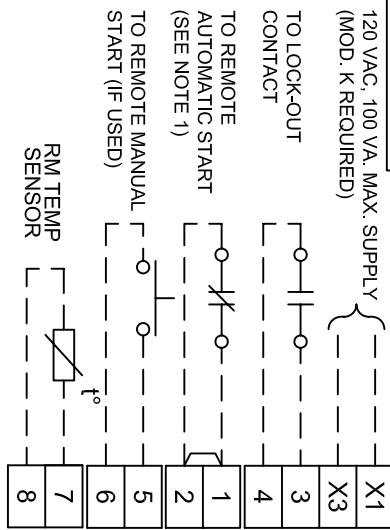
**JOSLYN CLARK CONTROLS, LLC**  
 ELIZABETHTOWN, NC 28337 USA  
 FILE: 10680-1E

**A 10-10680-1**  
 SHEET 1 OF 1

DESIGN: **E**  
 REV: **A**

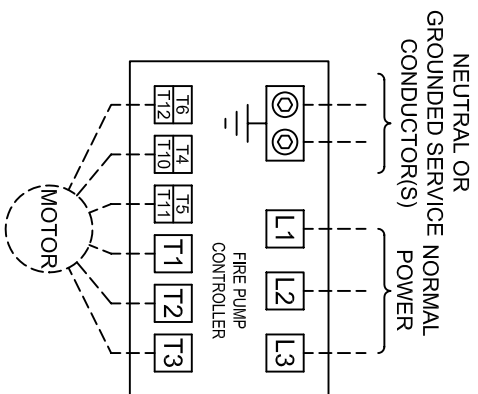
# 2-08901-01 A

REVISIONS  
NEW RELEASE  
PER EON L00141



- NOTES:**
- REMOVE JUMPER IF A REMOTE AUTOMATIC START DEVICE IS USED. THE CONTACT ON THE DEVICE OPEN TO START THE PUMP.
  - ALARM CONTACT RATING: 5 AMP MAX, 240 VAC, 30 VDC.

## SUITABLE FOR USE AS SERVICE EQUIPMENT



### LINE TERMINAL LUG SIZE (PER PHASE)

HORSEPOWER	WIRE CAPACITY (COPPER WIRE)			
	200 V.	230 V.	380 V.	415 V.
5 - 25	5 - 30	5 - 50	5 - 60	5 - 60
30	---	60	75	100
40 - 60	40 - 75	75 - 125	100 - 150	125 - 200
75 - 150	100 - 200	150 - 350	200 - 350	250 - 500
---	---	---	---	---

### MOTOR TERMINAL LUG SIZE (PER PHASE)

5 - 30	5 - 30	5 - 60	5 - 60	5 - 60	5 - 75
40 - 50	40 - 50	75	75	75 - 100	100 - 125
60 - 75	60 - 100	100 - 150	100 - 150	125 - 200	150 - 200
100 - 150	125 - 200	200 - 350	200 - 350	250 - 450	250 - 500

### NEUTRAL OR GROUNDING CONDUCTORS

5 - 25	5 - 30	5 - 50	5 - 60	5 - 60	5 - 75
30 - 60	40 - 75	60 - 125	75 - 150	75 - 150	100 - 200
75 - 100	100 - 125	150 - 200	200 - 250	200 - 250	250 - 350
125 - 150	150 - 200	250 - 350	300 - 350	300 - 400	400 - 500

#### CONDUCTOR NOTES

- FOR PROPER WIRE SIZING, REFER TO THE NATIONAL ELECTRICAL CODE, NFPA 70 OR OTHER LOCAL CODES.
- CONTROLLER IS PHASE ROTATION SENSITIVE. OBSERVE PHASE ROTATION. L1-L2-L3 MUST BE IN ABC SEQUENCE.
- THE LINE AND MOTOR TERMINALS WILL ACCOMMODATE, AS A MINIMUM, COPPER CABLES CAPABLE OF CARRYING 125% OF THE MOTOR FULL LOAD CURRENT.
- (6) MOTOR LEADS ARE REQUIRED, EACH LEAD CARRIES 0.578 x MOTOR FLA.