

LEGEND:
 MB ## - MB = FD4 MOTHERBOARD I/O TERMINAL
 DB ## - DB = FD4 DAUGHTERBOARD I/O TERMINAL

DRAWN	ΔZ	02-02-04	 METRON A Division of: Hubbell ICD, Inc. 4301 Cheyenne Dr., Archdale, NC 27263
CHECK	E.S.	02-06-04	
APPD	77.3%	02-06-04	
SCHEMATIC DIAGRAM FD4 DIESEL ENGINE FIRE PUMP CONTROLLER			OPTIONS: J CS33613L SCALE NTS SHEET 1 OF 2

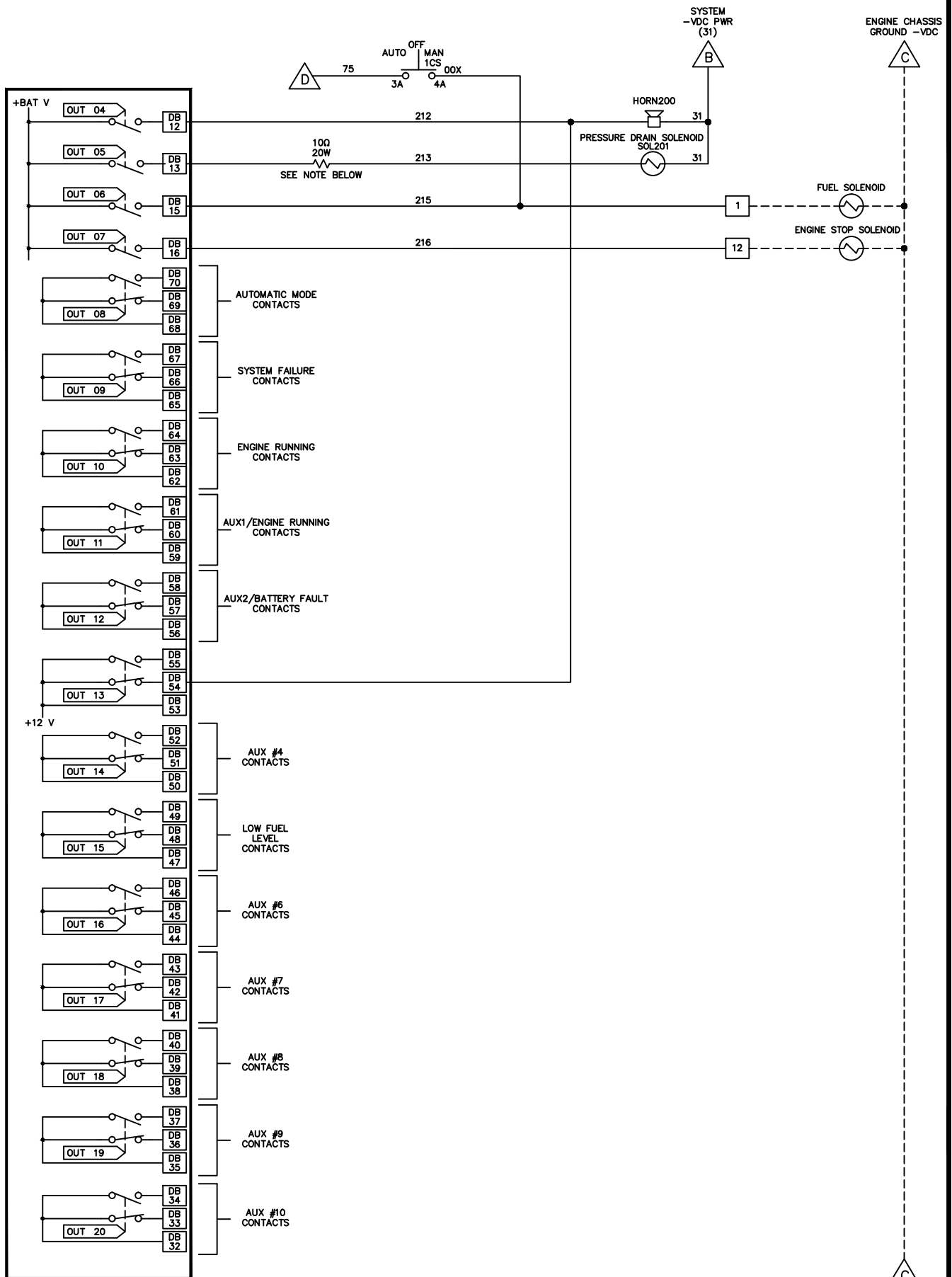
200

230

240

250

260



NOTE:
 SERIES POWER RESISTOR USED ONLY FOR
 24V SYSTEMS WITH 12V DRAIN SOLENOID.

MOTHERBOARD
 JUMPER SETTINGS

GND AIN01
 mA

DAUGHTERBOARD
 JUMPER SETTINGS

J17,J18 0-10AMPS CHARGER
 (OPTION J)
 OR
 J17,J18 0-20AMPS CHARGER
 (OPTION JJ)

SCHEMATIC DIAGRAM FD4 DIESEL ENGINE FIRE PUMP CONTROLLER	DRAWN <i>Δ%</i> 02-02-04	METRON A Division of: Hubbell ICD, Inc. 4301 Cheyenne Dr., Archdale, NC 27263
	CHECK <i>E.F.</i> 02-06-04	
	APPD <i>77.5%</i> 02-06-04	
OPTIONS: J		CS33613L
SCALE NTS	SHEET 2 OF 2	