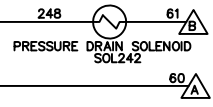
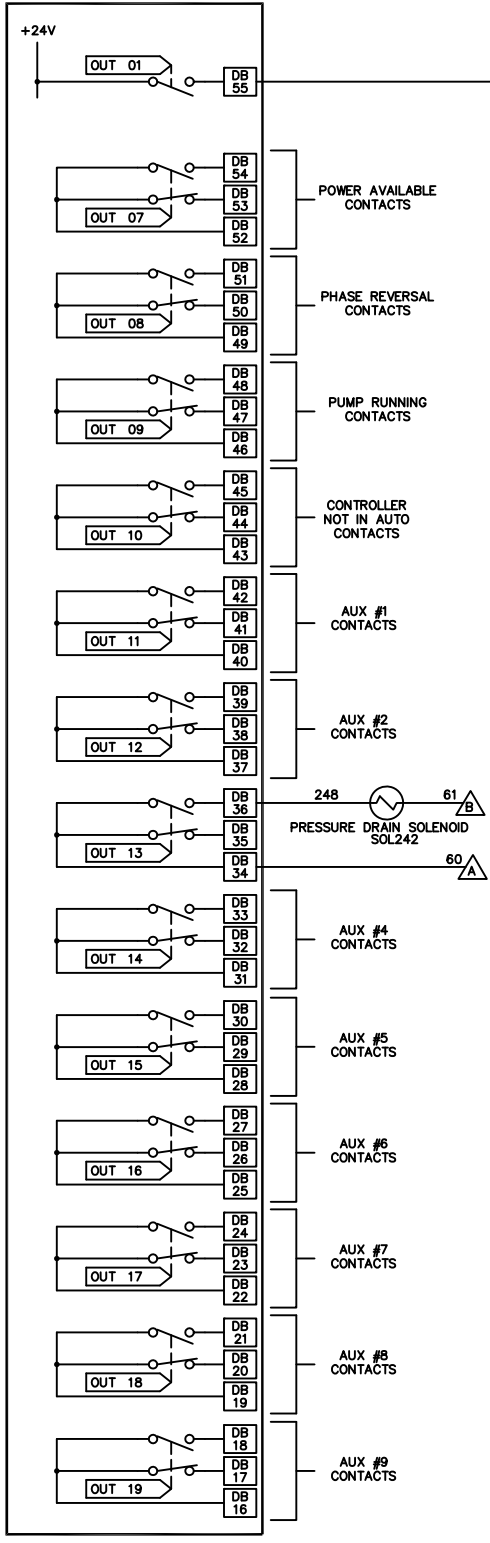



200
230
240
250
260
270



	DRAWN <i>RL</i> 09-30-04	 METRON A Division of: Hubbell ICD, Inc. <small>4301 Cheyenne Dr., Archdale, NC 27263</small>
	CHECK <i>SB</i> 11-05-04	
	APPD <i>M.G.</i> 11-05-04	
SCHEMATIC, MODEL MP300 COMBINED MANUAL-AUTOMATIC, ACROSS THE LINE ELECTRIC FIRE PUMP CONTROLLER		OPTIONS: CS33654D
SCALE NTS		SHEET 2 OF 2