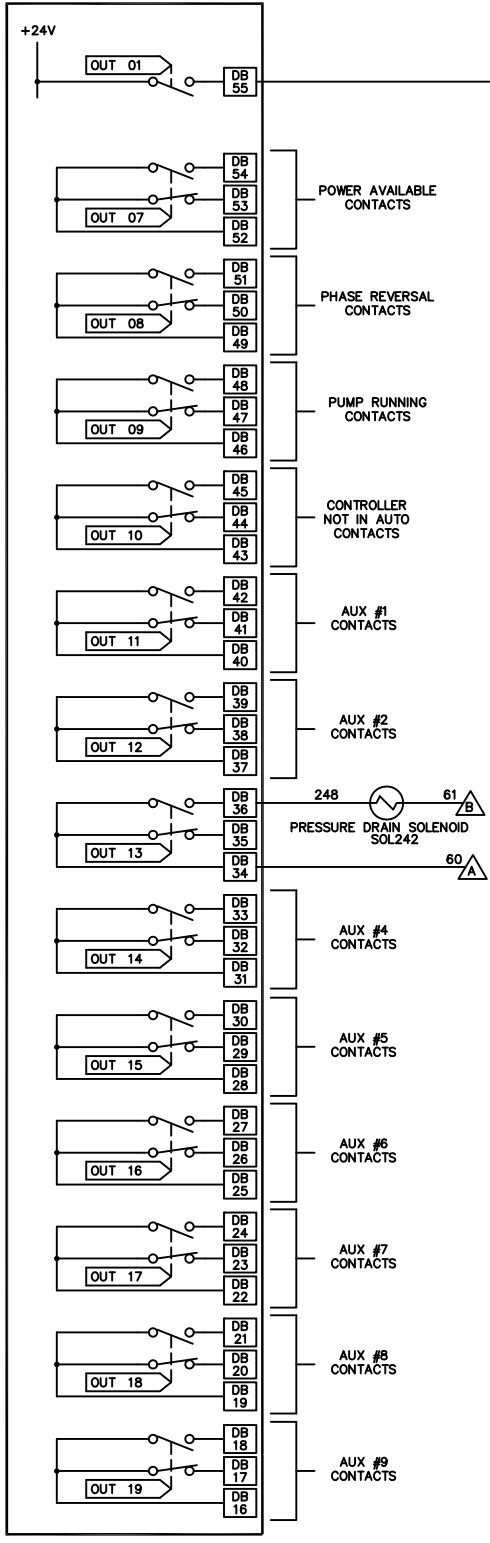


200
230
240
250
260
270



	DRAWN <i>RL</i>	09-30-04	METRON A Division of: Hubbell ICD, Inc. <small>4301 Cheyenne Dr., Archdale, NC 27263</small>
	CHECK <i>SB</i>	11-05-04	
	APPD <i>M.G.</i>	11-05-04	
SCHEMATIC, MODEL MP400 COMBINED MANUAL-AUTOMATIC, PRIMARY RESISTANCE ELECTRIC FIRE PUMP CONTROLLER			OPTIONS: CS3365D
SCALE NTS		SHEET 2 OF 2	