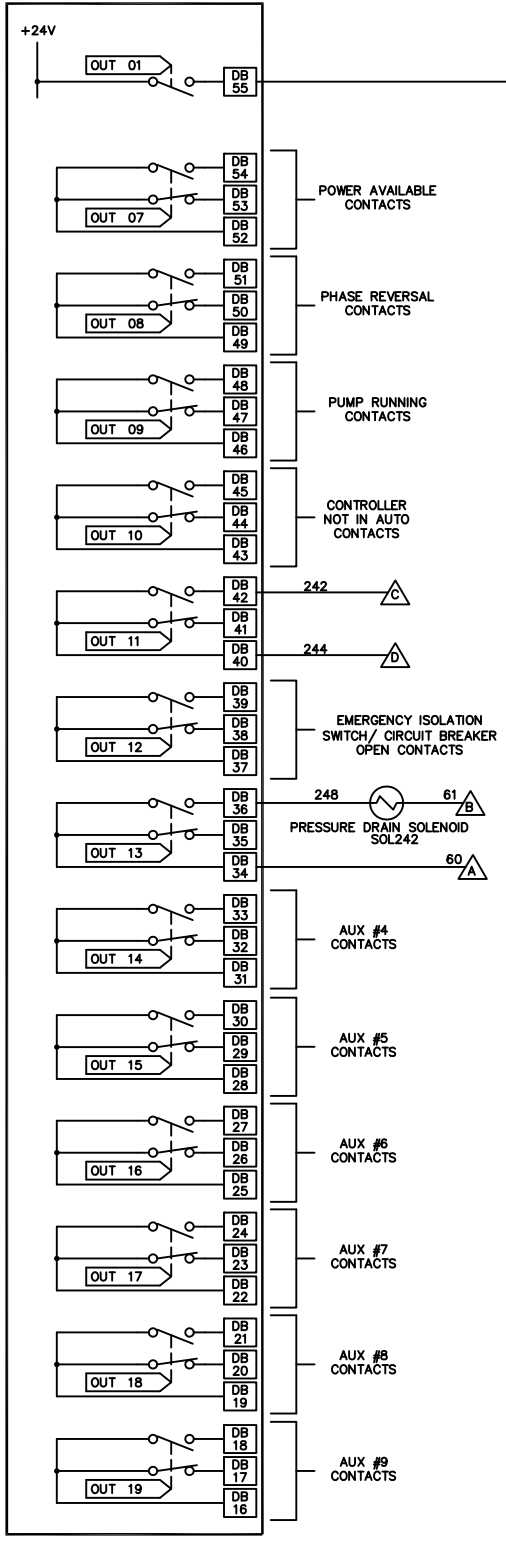


200
230
240
250
260
270



SYSTEM
-VDC PWR
(74)
C

	DRAWN <i>RL</i> 09-30-04	METRON A Division of: Hubbell ICD, Inc. 4301 Cheyenne Dr., Archdale, NC 27263
	CHECK <i>SB</i> 11-05-04	
	APPD <i>M.S.L.</i> 11-05-04	
SCHEMATIC, MODEL MP420 COMBINED MANUAL-AUTOMATIC, PART WINDING ELECTRIC FIRE PUMP CONTROLLER WITH TRANSFER SWITCH		OPTIONS: CS33663E
		SCALE NTS SHEET 2 OF 2