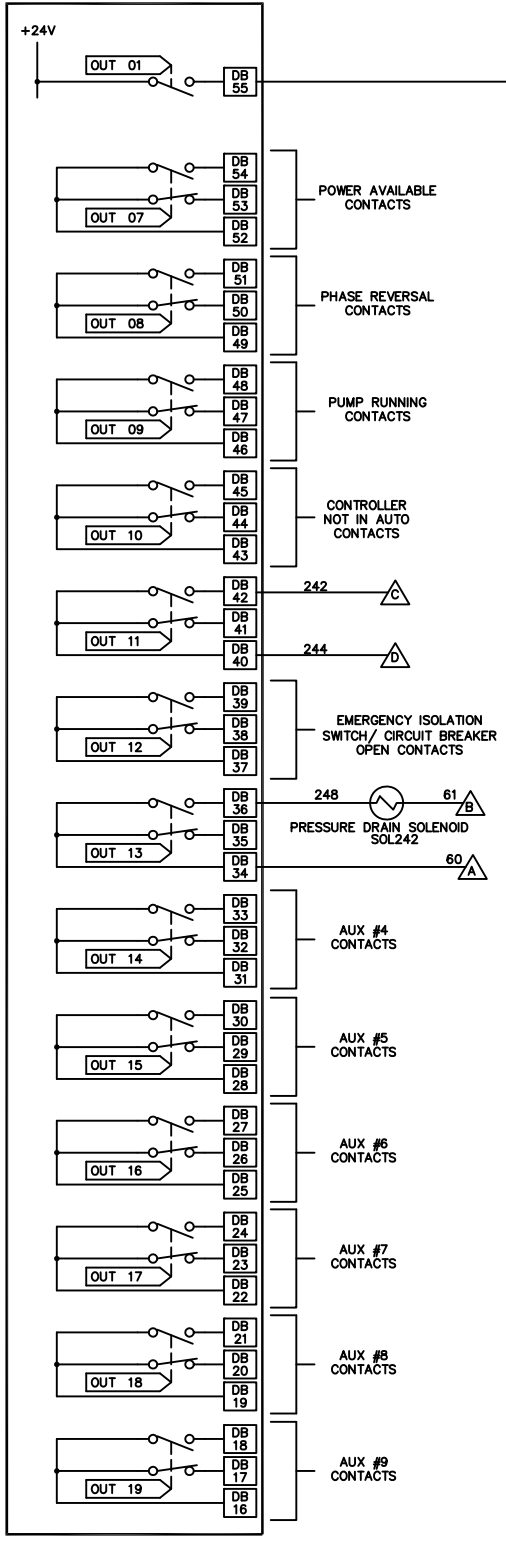


200  
230  
240  
250  
260  
270



SYSTEM  
-VDC PWR  
(74)  
C

225  
HORN225

POWER AVAILABLE CONTACTS

PHASE REVERSAL CONTACTS

PUMP RUNNING CONTACTS

CONTROLLER NOT IN AUTO CONTACTS

EMERGENCY ISOLATION SWITCH/ CIRCUIT BREAKER OPEN CONTACTS

PRESSURE DRAIN SOLENOID SOL242

AUX #4 CONTACTS


AUX #5 CONTACTS

AUX #6 CONTACTS

AUX #7 CONTACTS

AUX #8 CONTACTS

AUX #9 CONTACTS

	DRAWN <i>RL</i> 09-30-04	 METRON A Division of: Hubbell ICD, Inc. 4301 Cheyenne Dr., Archdale, NC 27263
	CHECK <i>SB</i> 11-05-04	
	APPD <i>M.G.</i> 11-05-04	
SCHEMATIC, MODEL MP435 COMBINED MANUAL-AUTOMATIC, WYE-DELTA, CLOSED TRANSITION ELECTRIC FIRE PUMP CONTROLLER WITH TRANSFER SWITCH		OPTIONS: <b>CS33665E</b>
SCALE NTS		SHEET 2 OF 2