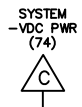
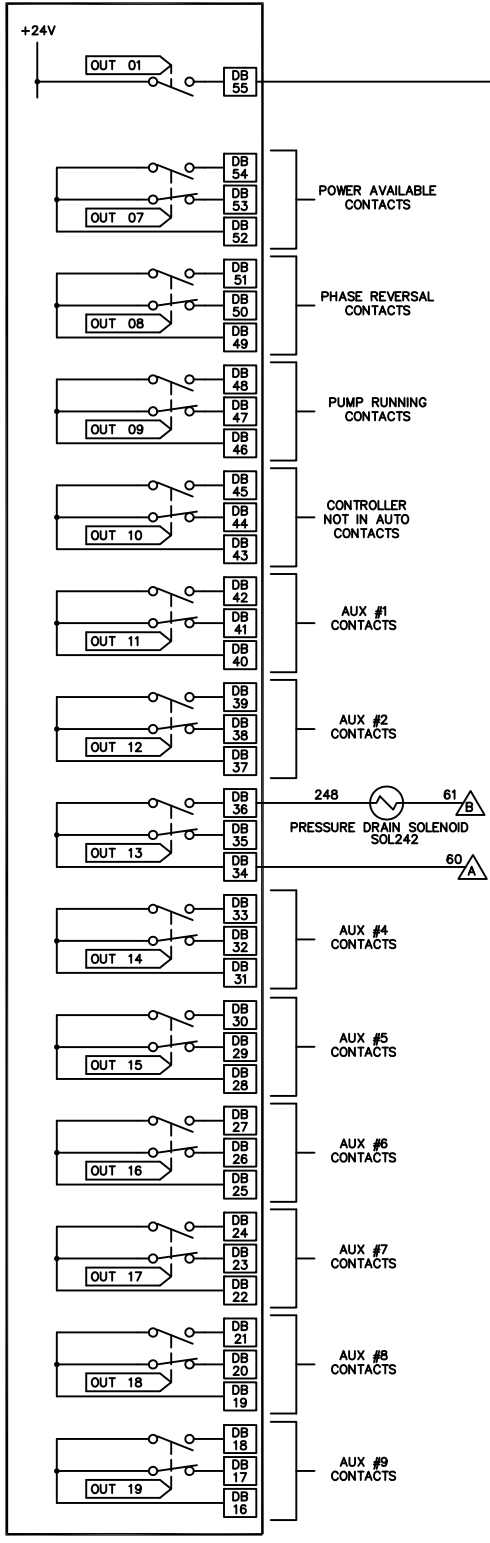



200  
230  
240  
250  
260  
270



225  
HORN225

248  
61 B  
60 A  
PRESSURE DRAIN SOLENOID SOL242

	DRAWN <i>RL</i> 09-30-04	 METRON A Division of: Hubbell ICD, Inc. 4301 Cheyenne Dr., Archdale, NC 27263
	CHECK <i>SB</i> 11-05-04	
	APPD <i>M.G.</i> 11-05-04	
SCHEMATIC, MODEL MP450 COMBINED MANUAL-AUTOMATIC, AUTOTRANSFORMER ELECTRIC FIRE PUMP CONTROLLER		OPTIONS: <b>CS33659E</b>
SCALE NTS		SHEET 2 OF 2