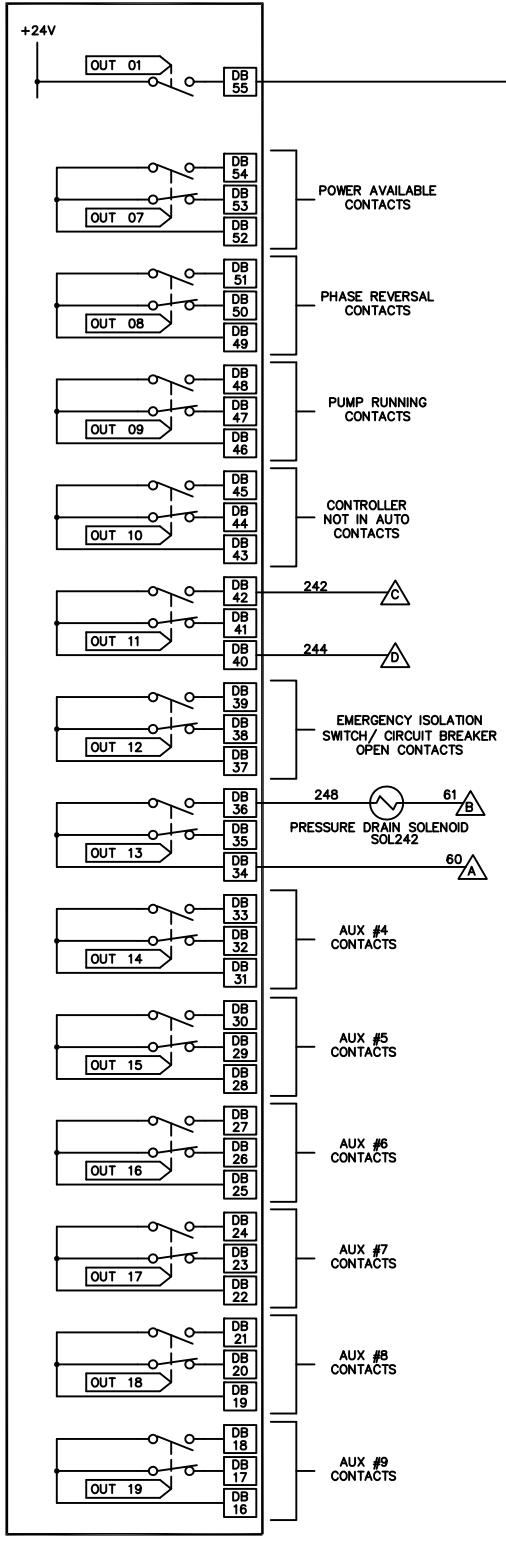


200
230
240
250
260
270



SYSTEM
-VDC PWR
(74)
C

225
HORN225

74

POWER AVAILABLE CONTACTS

PHASE REVERSAL CONTACTS

PUMP RUNNING CONTACTS

CONTROLLER NOT IN AUTO CONTACTS

EMERGENCY ISOLATION SWITCH/CIRCUIT BREAKER OPEN CONTACTS

PRESSURE DRAIN SOLENOID SOL242

AUX #4 CONTACTS

AUX #5 CONTACTS

AUX #6 CONTACTS

AUX #7 CONTACTS

AUX #8 CONTACTS

AUX #9 CONTACTS

242 C

244 D

248 61 B

60 A

DRAWN *RL* 09-30-04
CHECK *SB* 11-05-04
APPD *M.S.* 11-05-04

METRON
A Division of:
Hubbell ICD, Inc.
4301 Cheyenne Dr., Archdale, NC 27263

SCHEMATIC, MODEL MP450 COMBINED MANUAL-AUTOMATIC, AUTOTRANSFORMER ELECTRIC FIRE PUMP CONTROLLER WITH TRANSFER SWITCH

OPTIONS:
CS33666F
SCALE NTS SHEET 2 OF 2