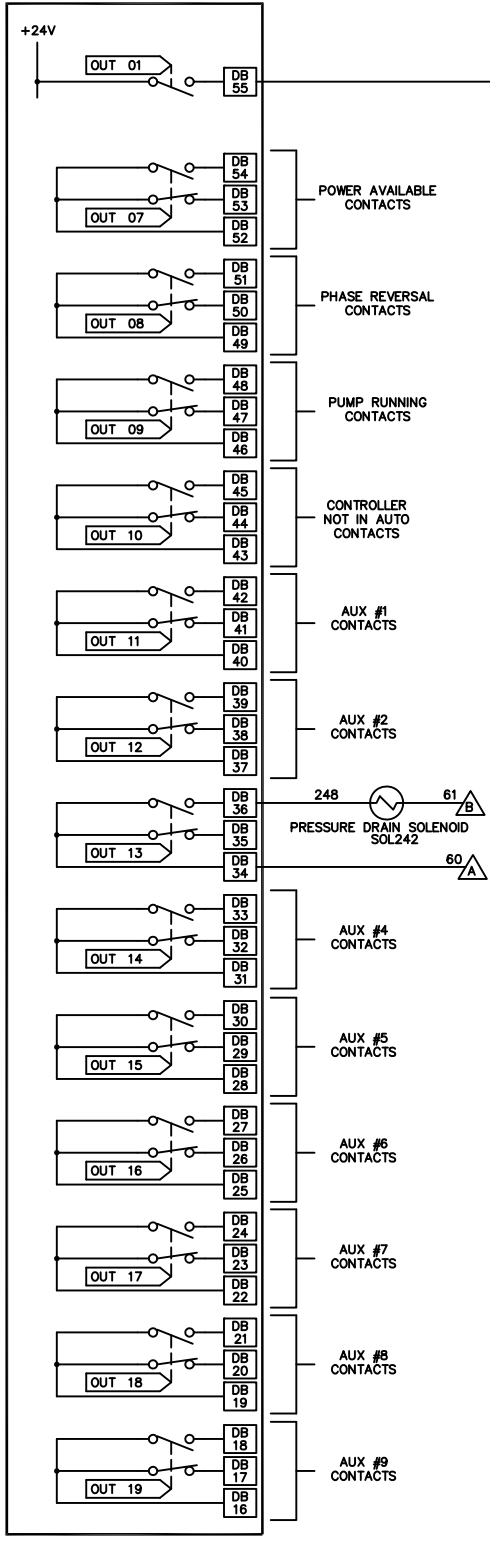



200
230
240
250
260
270

SYSTEM
-VDC PWR
(74)
C



54A SOFT START DOES NOT UTILIZE A COOLING FAN AND ASSOCIATED CONTROL CIRCUIT.
COOLING FAN TERMINAL NUMBERS ON SOFT START UNIT WILL VARY WITH MODEL USED.

DRAWN	RL	09-30-04	 METRON A Division of: Hubbell ICD, Inc. 4301 Cheyenne Dr., Archdale, NC 27263
CHECK	SB	11-05-04	
APPD	M.S.L.	11-05-04	
SCHEMATIC, MODEL MP700 COMBINED MANUAL-AUTOMATIC, SOLID STATE STARTER ELECTRIC FIRE PUMP CONTROLLER			OPTIONS: CS33660D
SCALE		NTS	SHEET 2 OF 2