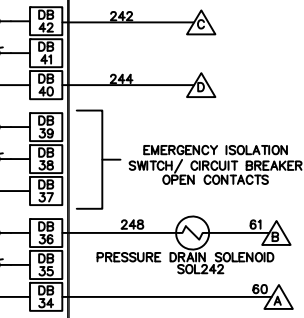
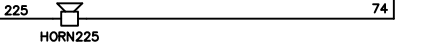
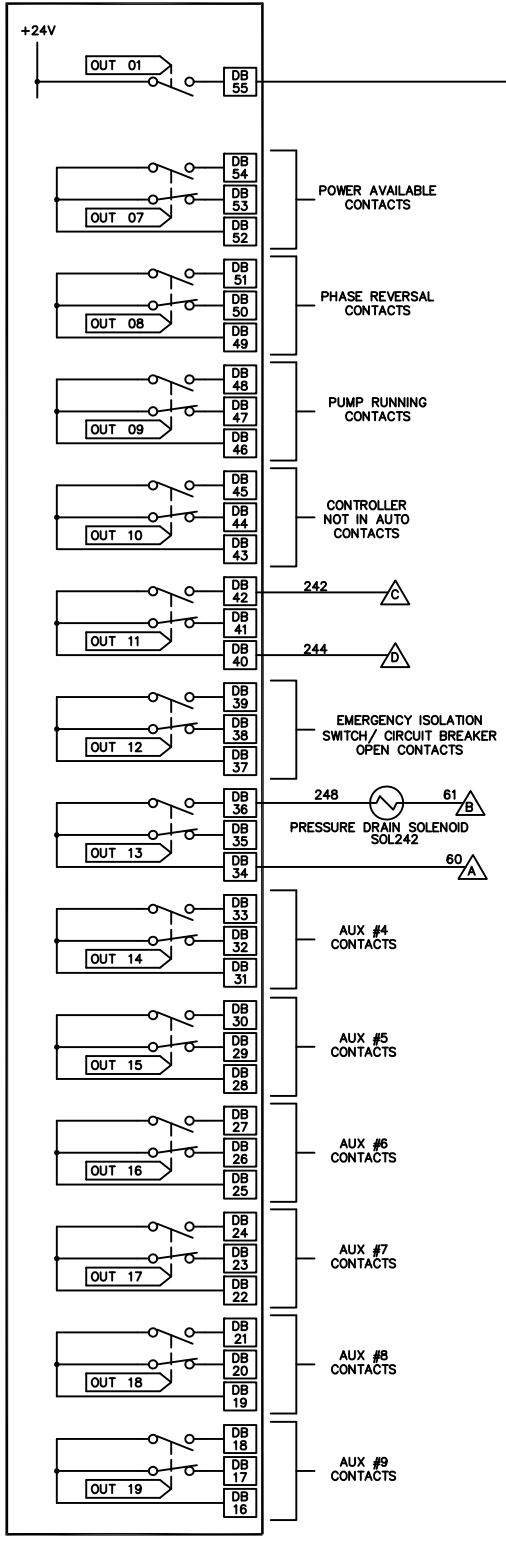


200
230
240
250
260
270



54A SOFT START DOES NOT UTILIZE A COOLING FAN AND ASSOCIATED CONTROL CIRCUIT.
COOLING FAN TERMINAL NUMBERS ON SOFT START UNIT WILL VARY WITH MODEL USED.

	DRAWN <i>RL</i>	09-30-04	METRON A Division of: Hubbell ICD, Inc. 4301 Cheyenne Dr., Archdale, NC 27263
	CHECK <i>SB</i>	11-05-04	
	APPD <i>M.S.L.</i>	11-05-04	
SCHEMATIC, MODEL MP700 COMBINED MANUAL-AUTOMATIC, SOLID STATE STARTER ELECTRIC FIRE PUMP CONTROLLER WITH TRANSFER SWITCH			OPTIONS: CS33667E
SCALE NTS			SHEET 2 OF 2