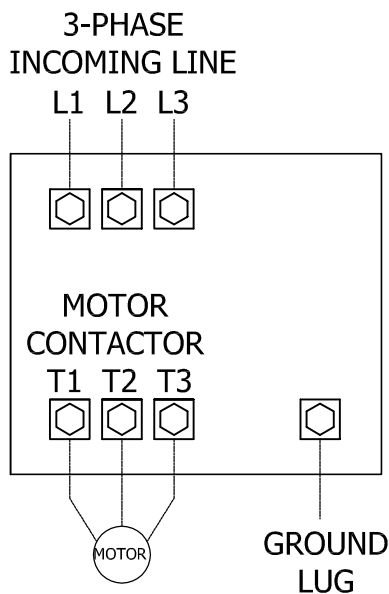


STANDARD MP15 JOCKEY



NOTES

1. INCOMING LINE TERMINALS ARE PROVIDED TO ACCOMMODATE 125% OF MOTOR FULL LOAD CURRENT PER NFPA-20 AND NFAP-70.
2. COPPER (CU) WIRE IS RECOMMENDED.
3. FOR FIELD CONNECTION WIRE; 16 GA AWG MINIMUM. REFER TO NFPA-70 FOR FIELD WIRE SIZING.
- 4. PRESSURE SENSING LINE CONNECTION IS 1/2" MALE NPT.**
5. REFER TO SCHEMATIC DRAWING: HCMP15S FOR MORE INFORMATION.

LINEAR	HOLE	ANGLES	FIELD CONNECTION DIAGRAM	
0.X = ± .050	PUNCH ± .002	DIMEN. ± 1'	MP15 MICRO JOCKEY	
0.XX = ± .020	< .50 ± .002	± 1'		
0.XXX = ± .005	> .50 ± .002	UNDIM. 90' ± 2'		
CADD NO. HCMP15F.idw				
R.M.S.	DATE 10/18/2013	DR.	CK.	APPR.
METRON Div. of Hubbell-ICD, Inc. 4301 Cheyenne Drive Archdale, N.C. 27263			DRG. NO. 1 OF 1 HCMP15F	