



# Full Voltage, Across-the-Line

## SERIES MP15

### Microprocessor Jockey Pump Controller



Metron's Model MP15 Jockey Pump is small, lightweight, technologically advanced microprocessor based controller intended for across-the-line starting of squirrel cage motors. MP15 controllers are for fire protection system applications where it is desirable to maintain uniform system water pressure by the use of an automatic pressure maintenance pump.

The MP15 Jockey Pump Controller serves over-all system efficiency by detecting minor fire protection water system leakage. By bringing jockey or make-up pumps on line, they maintain pressure within set point limits without unnecessary cycling of the main fire pump.

*Controllers are completely wired, assembled, and tested at the factory before shipment and ready for immediate installation.*





## Standard Features

- » Solid State contactor drive for increased reliability
- » Field updatable via USB
- » Multilingual
- » System pressure readout without opening the door
- » Combination motor protector through door disconnect provides overload and short circuit protection without fuses
- » Horsepower rated motor starter
- » HAND-OFF-AUTO selector switch
- » Minimum Run timer
- » Pump Start Delay timer
- » Power Available LED
- » Pump Running LED
- » Event history data log - capable of storing no less than 3000 events
- » Door mounted backlit LCD display/user interface with adjustable back lighting.
- » Control transformer
- » Diagnostic LED's
- » NEMA Type 3R drip proof metal freestanding enclosure

## Options

- » USB enhanced data logging capability
- » Power and communications, eight channel I/O expansion board with Form C contacts
- » Space heater with thermostat
- » Type 4 & 4X enclosures
- » Tropicalization
- » CE approved (standard on Eledyne models)
- » Four user programmable output relays

Consult factory for additional options.

## Specifications

The Fire Jockey Pump Controller shall be factory assembled, wired and tested as a unit and shall conform to all requirements of the latest edition of NFPA 20 and be Third Party Listed by Underwriters Laboratories (UL) 508A standards for industrial controls. The controller shall be available for 208, 230, 380-415, or 480 volt three phases and 115, 208, 240 single phase.

## Ratings

- » 120V-600V, 50/60Hz, single phase or 3 phase
- » Short circuit rating: 100KA @ 115-240VAC, 50 KA @ 380-480VAC, 25KA @ 575-600 VAC
- » 0-600 PSI Pressure Transducer

The internal logic of the controller shall be capable of operation in a temperature range of 4.4°C to 50°C and high, non-condensing, humidity levels.

Controllers shall be manufactured by Metron - A Division of Hubbell Industrial Controls, Inc.

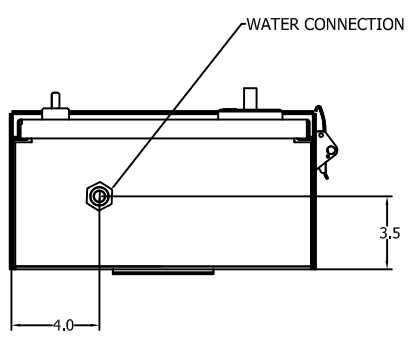
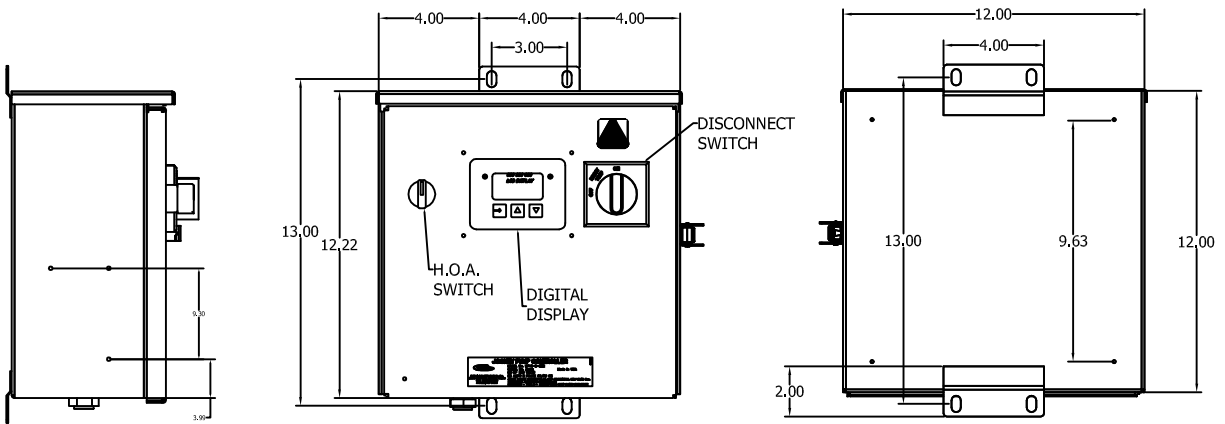
[www.metroninc.com](http://www.metroninc.com)



Hubbell Industrial Controls, Inc. • 4301 Cheyenne Dr., Archdale, NC 27263  
PH: 336-434-2800 • FAX: 336-434-2801 • Email: [salesmail@metroninc.com](mailto:salesmail@metroninc.com)



REVISIONS			
REV.	DATE	DESCRIPTION	BY





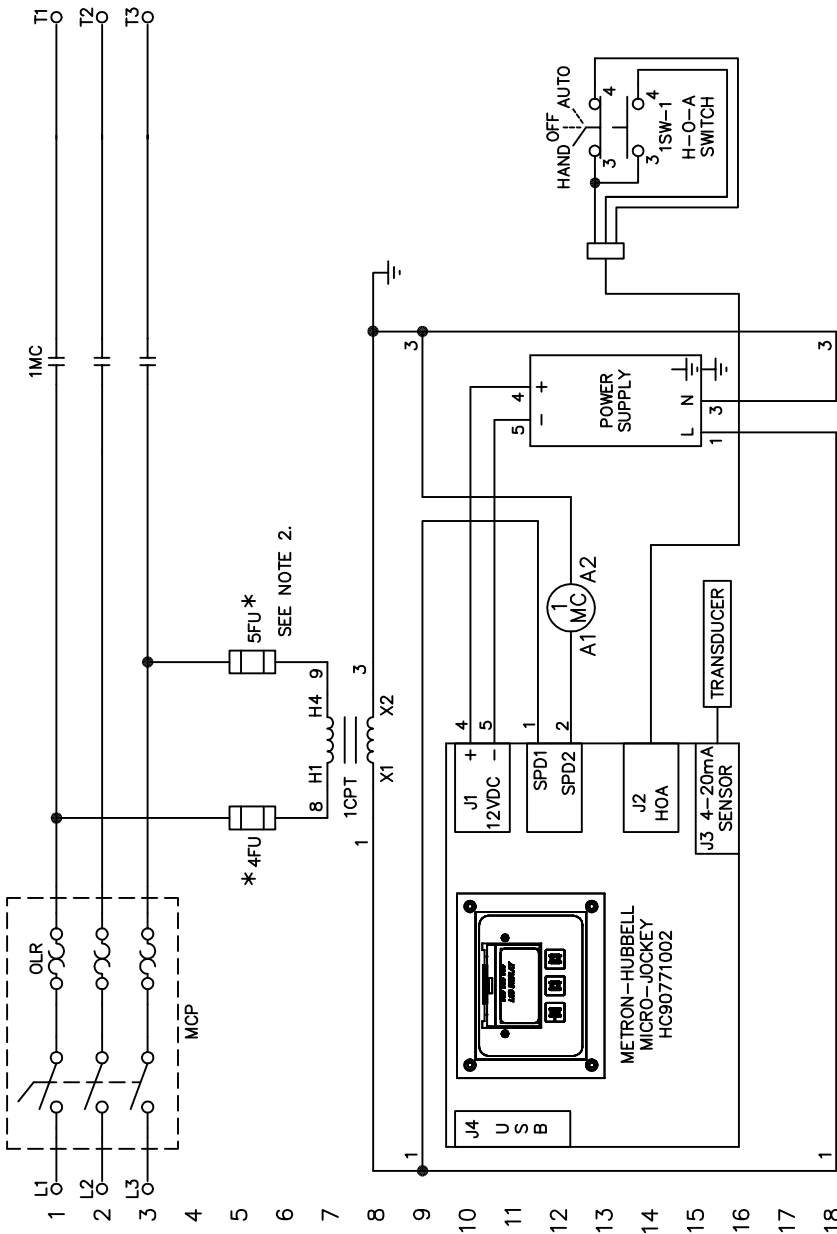
- NOTES:
1. FIELD TERMINAL WILL ACCEPT COPPER WIRE ONLY.
  2. MOTOR TERMINALS VARY WIDELY BETWEEN MANUFACTURERS. PLEASE REFER TO MOTOR CONNECTION DIAGRAM ON THE MOTOR FOR VERIFICATION.
  3. PROPER PHASE SEQUENCE (A,B,C) SHOULD BE OBSERVED, TO MAINTAIN PROPER MOTOR ROTATION.
  4. INCOMING CABLE SIZE TO BE 125% OF MOTOR FULL LOAD CURRENT. REFER TO WIRE SIZE TABLES IN NFPA 70.

SINGLE PHASE	
HP	VAC
.25 - 1	115
.25 - 2	200
.25 - 2	240

THREE PHASE	
HP	VAC
.25 - 4	200
.25 - 4	208
.25 - 5	240
.25 - 7.5	380/415
.25 - 10	460/480
.25 - 10	575/600

HCJW801000 SMALL STANDARD ENCLOSURE

LINEAR 0.X = ± .050 0.XX = ± .020 0.XXX = ± .005	HOLE PUNCH ± .002 ± .003 ± .004	ANGLES DIMEN. ± 1° UNDIM. 90° ± 7°	 DATA & OUTLINE DRAWING MP15 MICRO JOCKEY FIRE PUMP CONTROLLER NEMA 3R SMALL ENCLOSURE
R.M.S.	DATE: 8/2/2013	DR. S. JUDD	CK.    APPR.
 METRON Division of - Hubbell ICD, Inc. 4301 Cheyenne Drive Archdale, N.C. 27263		DRG. NO.	1 OF 1    HCMP15D-801- INVOICE#ITEM#



COMPONENTS	FUNCTION	LOCATION	CONTACTS
1CPT	CONTROL POWER TRANSFORMER	8	
1MC	MOTOR CONTACTOR	12	1,2,3
1PS	PRESSURE TRANSDUCER	18	
4FU	CONTROL FUSE	5	
5FU	CONTROL FUSE	5	
HOA	HAND/OFF/AUTO SELECTOR SW.	13	
MCP	MOTOR CIRCUIT PROTECTOR	1,2,3	

**NOTES FOR FIELD WIRING:**

- USE COPPER WIRING ONLY EXCEPT AT TERMINALS MARKED CU-AL, 60°C FOR TERMINALS RATED LESS THAN 100 AMPS
- TO REDUCE THE RISK OF FIRE, REPLACE WITH SAME TYPE AND RATING AS FUSE ORIGINALLY INSTALLED.

\* CONTROL FUSE SIZING TO BE AS FOLLOWS:

V.A. RATING	200-208 VAC	220-240 VAC	380-415 VAC	440-480 VAC	550-600 VAC
75 VA	1.8 AMP	1.5 AMP	0.8 AMP	0.8 AMP	0.6 AMP
150 VA	3.5 AMP	3.0 AMP	1.8 AMP	1.5 AMP	1.25 AMP

OPTIONS LIST - OPTIONS MARKED WITH AN "X" ARE INCLUDED

C	H	L	M	S	U	V	X	Y	CUSTOM
							X		

LINK#	HOLE	ANGLES	DIMEN.	UNDIM.
0.X ±.000	PUNCH	90°	±.000	
0.XX ±.000		90°	±.000	
0.XXX ±.000		90°	±.000	
0.XXXX ±.000		90°	±.000	

CADD NO.: HCOMP15S3P  
 DATE: 10/17/2013  
 DR. DAMA  
 CK.  
 APPR.

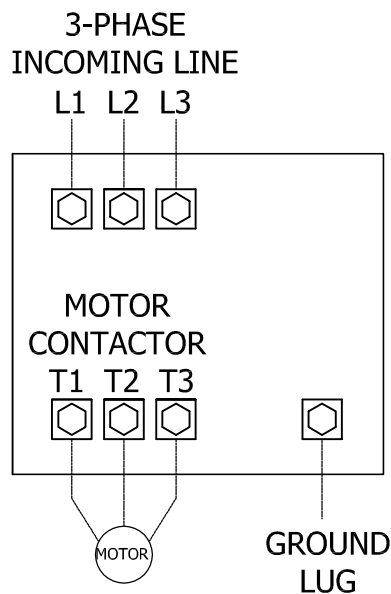
METRON  
 Division of Hubbell-ICD, Inc.  
 4301 Cheyenne Drive Archdale, N.C. 27263



STANDARD SCHEMATIC DIAGRAM  
 MP15 MICRO JOCKEY PUMP CONTROLLER  
 THREE PHASE

DRG. NO.  
 1 OF 1 HCOMP15S3P

## STANDARD MP15 JOCKEY



### NOTES

1. INCOMING LINE TERMINALS ARE PROVIDED TO ACCOMMODATE 125% OF MOTOR FULL LOAD CURRENT PER NFPA-20 AND NFAP-70.
2. COPPER (CU) WIRE IS RECOMMENDED.
3. FOR FIELD CONNECTION WIRE; 16 GA AWG MINIMUM. REFER TO NFPA-70 FOR FIELD WIRE SIZING.
- 4. PRESSURE SENSING LINE CONNECTION IS 1/2" MALE NPT.**
5. REFER TO SCHEMATIC DRAWING: HCMP15S FOR MORE INFORMATION.

LINEAR	HOLE	ANGLES	FIELD CONNECTION DIAGRAM
0.X = ± .050	PUNCH ± .002	DIMEN. ± 1'	<b>MP15 MICRO JOCKEY</b>
0.XX = ± .020	< .50 ± .002	UNDIM. 90' ± 2'	
0.XXX = ± .005	> .50 ± .002	REFAM SPECIFIED	
CADD NO. HCMP15F.idw			
R.M.S.	DATE 10/18/2013	DR.	CK. APPR.
<b>METRON</b> Div. of Hubbell-ICD, Inc. 4301 Cheyenne Drive Archdale, N.C. 27263		DRG. NO. 1 OF 1 HCMP15F	