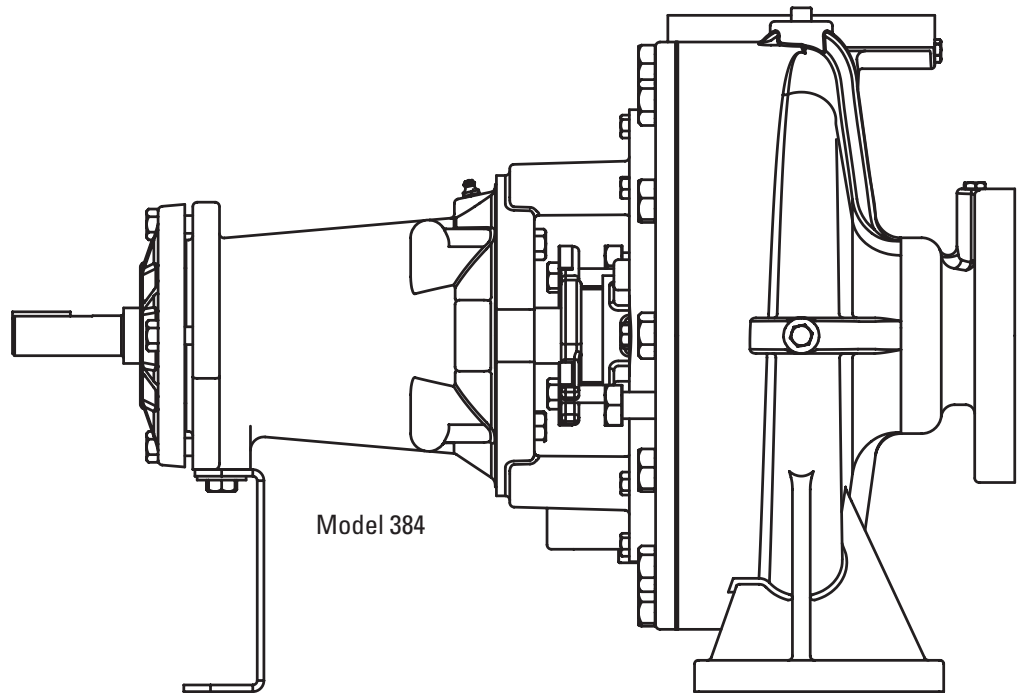




AURORA[®]



911.5 SERIES **END SUCTION FIRE PUMP**

REPAIR PARTS INDEX

Read and understand the pump and motor instructions before attempting to install, disassemble or repair the pump.

**911.5 SERIES
REPAIR PARTS INDEX**

TABLE OF CONTENTS

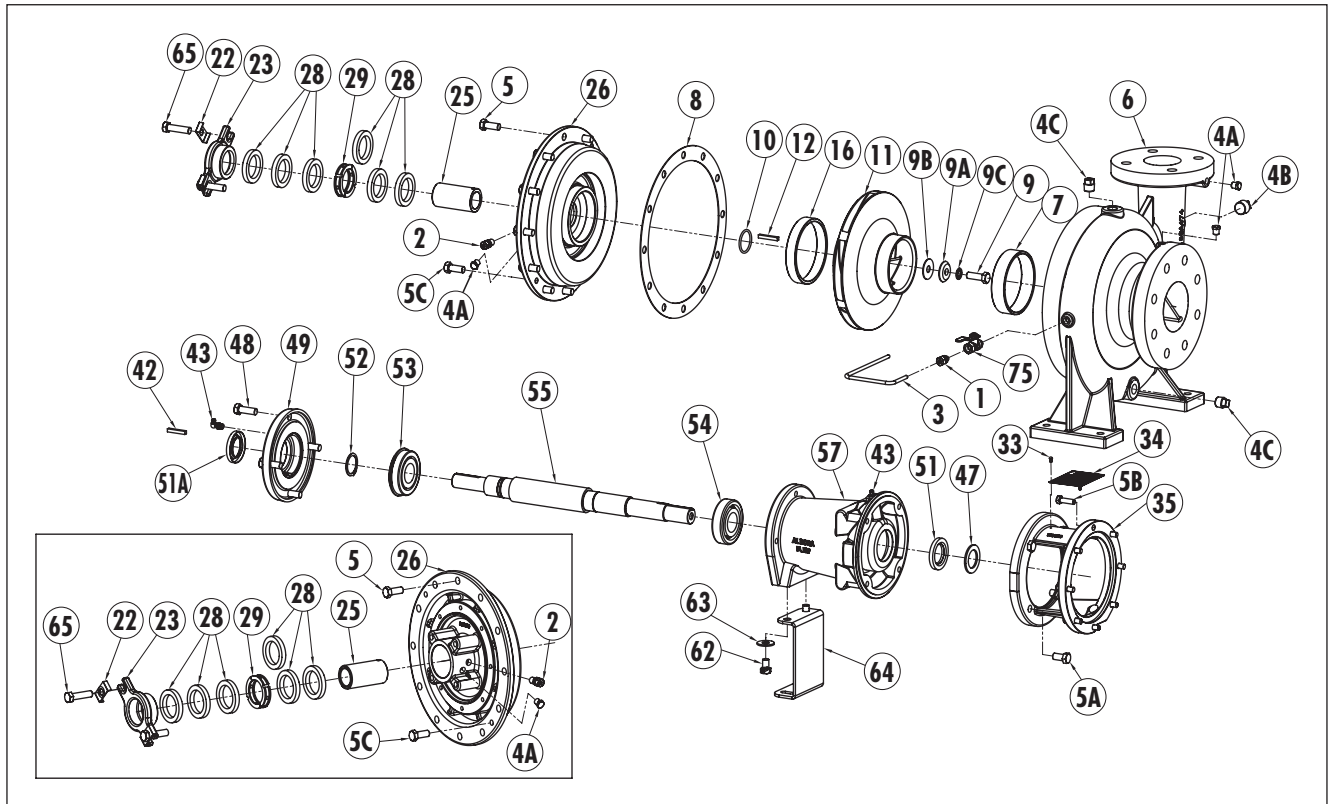
PUMP MODEL	DESCRIPTION	PAGE
384	Horizontal Power Frame Mounted Exploded view and piece numbers.....	3

PUMP SIZE	PAGE
2.5-384-7 through 6-384-9.5 Part Numbers.....	4
2-384-11 through 6-384-13.5 Part Numbers.....	5
8-384-13.5 Part Numbers.....	6

MODEL 384 FRAME MOUNTED PUMPS:

A cross reference table for the Power Frames by pump size can be found in the 384 Dimension Pages, reference AF-01-10-911.5-201 through AF-01-10-911.5-211.

**MODEL 384
 PIECE NUMBERS**



MODEL 384 LIST OF PARTS

- | | | | | | |
|-----------|---------------------|-----|--------------------|---------|----------------|
| 1. | Compression Fitting | 12. | Impeller Key | 48. | Capscrew |
| 2. | Compression Fitting | 16. | Back Wear Ring | 49. | Bearing Cap |
| 3. | Tubing | 22. | Gland Clamp | 51/51A. | Lip Seal |
| 4A/4B/4C. | Pipe Plug | 23. | Packing Gland | 52. | Retaining Ring |
| 5/5A/B/C. | Capscrew | 25. | Shaft Sleeve | 53. | Bearing |
| 6. | Casing | 26. | Pump Packing Cover | 54. | Bearing |
| 7. | Wear Ring | 28. | Packing | 55. | Shaft |
| 8. | Gasket | 29. | Lantern Ring | 57. | Frame |
| 9. | Impeller Screw | 33. | Nameplate Screw | 62. | Capscrew |
| 9A. | Washer | 34. | Nameplate | 63. | Washer |
| 9B. | Gasket | 35. | Motor Bracket | 64. | Foot Support |
| 9C. | Capscrew Seal | 42. | Key | 65. | Capscrew |
| 10. | O-Ring | 43. | Grease Fitting | 75. | Ball Valve |
| 11. | Impeller | 47. | Water Slinger | | |

AURORA PUMP RESERVES THE RIGHT TO SUBSTITUTE MATERIALS WITHOUT NOTICE.

NOTE: WHEN ORDERING SPARE PARTS ALWAYS INCLUDE THE PUMP TYPE, SIZE, SERIAL NUMBER, AND THE PIECE NUMBER FROM THE EXPLODED VIEW IN THIS MANUAL. ORDER ALL PARTS FROM YOUR LOCAL AUTHORIZED DISTRIBUTOR OR THE FACTORY AT NORTH AURORA, ILLINOIS.

911.5 SERIES
MODEL 384
2.5-384-7 – 6-384-9.5

PARTS LIST

PC. NO.	DESCRIPTION	QTY	2.5-384-7 PF#3 (L)	4-384-7 PF#3 (L)	4-384-9.5 PF#21 (XL)	5-384-9.5 PF#21 (XL)	6-384-9.5 PF#21 (XL)
6	CASING	1					
	CASING (125/125)		180-8362-055	180-8376-055	180-8378-055	180-8386-055	180-8392-055
	CASING (125/250)		180-8363-055	180-8377-055	180-8379-055	180-8387-055	180-8393-055
	CASING (250/250)		180-8494-055	180-8501-055	180-8502-055	180-8506-055	180-8509-055
7	WEAR RINGS	1					
	WEAR RING (Back)		676-2167-208	676-2170-208	676-2158-208	676-2158-208	676-2171-208
	WEAR RING (Front)		676-8104-208	676-8109-208	676-8109-208	676-8111-208	676-8113-208
8	CASING GASKET	1	364-8004-603	364-8004-603	364-8000-603	364-8000-603	364-8017-603
11	IMPELLER	1	443-8114-104	443-8132-104	443-8135-104	443-8146-104	443-8153-104
23	PACKING GLAND	1	372-0377-208	372-0377-208	372-0544-208	372-0544-208	372-0544-208
25	SHAFT SLEEVE	1	756-0524-208	756-0524-208	756-0705-208	756-0705-208	756-0705-208
26	PACKING COVER	1	812-1121-010	812-1121-010	812-1143-010	812-1143-010	812-1142-010
28	PACKING*	6	564-0110-802	564-0110-802	564-0154-802	564-0154-802	564-0154-802
29	LANTERN RING*	1	676-0009-512	676-0009-512	676-0972-512	676-0972-512	676-0972-512
42-57	POWER FRAME	1	355-0014-644	355-0014-644	355-0301-644	355-0301-644	355-0301-644
55	PUMP SHAFT	1	728-4986-063	728-4986-063	728-7509-063	728-7509-063	728-7509-063

N/A	PACKING SEAL KIT	1	476-1065-644	476-1065-644	476-1066-644	476-1066-644	476-1066-644
N/A	POWER FRAME REPAIR KIT						
	GREASE LUBE	1	476-1068-644	476-1068-644	476-1069-644	476-1069-644	476-1069-644

*Not all pump assemblies contain a lantern ring. When lantern ring is present, subtract 1 piece of packing.

PACKING SEAL KIT CONTAINS:

PC #	DESCRIPTION
8	Gasket
9	Capscrews
9A	Washer
9B	Gasket
9C	Capscrew Seal
10	O-Ring
12	Impeller Key
22	Gland Clamp
25	Sleeve
28	Packing
29	Lantern Ring
65	Capscrews

POWER FRAME REPAIR KIT CONTAINS:

PC #	DESCRIPTION
47A	Slinger
50	Gasket
51	Seal
51A	Seal
52	Retaining Ring
53	Bearing
54	Bearing

**911.5 SERIES
MODEL 384
2-384-11 – 6-384-13.5**

SECTION 384 PAGE 5
DATED **NOVEMBER 2012**
SUPERCEDES **AUGUST 2012**

PARTS LIST

PC. NO.	DESCRIPTION	QTY	2-384-11 PF#3 (L)	3-384-11 PF#21 (XL)	2.5-384-13.5 PF#3 (L)	3-384-13.5 PF#21 (XL)	6-384-13.5 PF#21 (XL)
6	CASING	1					
	CASING (125/125)		180-8358-055	180-8372-055	180-8366-055	180-8374-055	180-8396-055
	CASING (125/250)		180-8359-055	180-8373-055	180-8367-055	180-8375-055	180-8397-055
	CASING (250/250)		180-8492-055	180-8499-055	180-8496-055	180-8500-055	180-8511-055
7	WEAR RINGS	1					
	WEAR RING (Back)		N/A	676-2165-208	N/A	676-2169-208	676-2168-208
	WEAR RING (Front)		676-8103-208	676-8108-208	676-8105-208	676-8108-208	676-8114-208
8	CASING GASKET	1	364-8009-603	364-8009-603	364-8011-603	364-8011-603	364-8011-603
11	IMPELLER	1	443-8110-104	443-8127-104	443-8119-104	443-8130-104	443-8156-104
23	PACKING GLAND	1	372-0377-208	372-0544-208	372-0377-208	372-0544-208	372-0544-208
25	SHAFT SLEEVE	1	756-0524-208	756-0705-208	756-0524-208	756-0705-208	756-0705-208
26	PACKING COVER	1	812-1132-010	812-1136-010	812-1137-010	812-1139-010	812-1140-010
28	PACKING*	6	564-0110-802	564-0154-802	564-0110-802	564-0154-802	564-0154-802
29	LANTERN RING*	1	676-0009-512	676-0972-512	676-0009-512	676-0972-512	676-0972-512
42-57	POWER FRAME	1	355-0014-644	355-0301-644	355-0014-644	355-0301-644	355-0301-644
55	PUMP SHAFT	1	728-4986-063	728-7509-063	728-4986-063	728-7509-063	728-7509-063
N/A	PACKING SEAL KIT	1	476-1065-644	476-1066-644	476-1065-644	476-1066-644	476-1066-644
N/A	POWER FRAME REPAIR KIT GREASE LUBE	1	476-1068-644	476-1069-644	476-1068-644	476-1069-644	476-1069-644

*Not all pump assemblies contain a lantern ring. When lantern ring is present, subtract 1 piece of packing.

PACKING SEAL KIT CONTAINS:

PC #	DESCRIPTION
8	Gasket
9	Capscrews
9A	Washer
9B	Gasket
9C	Capscrew Seal
10	O-Ring
12	Impeller Key
22	Gland Clamp
25	Sleeve
28	Packing
29	Lantern Ring
65	Capscrews

POWER FRAME REPAIR KIT CONTAINS:

PC #	DESCRIPTION
47A	Slinger
50	Gasket
51	Seal
51A	Seal
52	Retaining Ring
53	Bearing
54	Bearing

**911.5 SERIES
 MODEL 384
 8-384-13.5**

PARTS LIST

PC. NO.	DESCRIPTION	QTY	8-384-13.5 PF#21 (XL)
6	CASING	1	
	CASING (125/125)		180-8398-055
	CASING (125/250)		180-8399-055
	CASING (250/250)		180-8512-055
7	WEAR RINGS	1	
	WEAR RING (Back)		676-8115-208
	WEAR RING (Front)		676-8115-208
8	CASING GASKET	1	364-8011-603
11	IMPELLER	1	443-8158-104
23	PACKING GLAND	1	372-0544-208
25	SHAFT SLEEVE	1	756-0705-208
26	PACKING COVER	1	812-1140-010
28	PACKING*	6	564-0154-802
29	LANTERN RING*	1	676-0972-512
42-57	POWER FRAME	1	355-0301-644
55	PUMP SHAFT	1	728-7509-063

N/A	PACKING SEAL KIT	1	476-1066-644
N/A	POWER FRAME REPAIR KIT GREASE LUBE	1	476-1069-644

*Not all pump assemblies contain a lantern ring. When lantern ring is present, subtract 1 piece of packing.

PACKING SEAL KIT CONTAINS:

PC #	DESCRIPTION
8	Gasket
9	Capscrews
9A	Washer
9B	Gasket
9C	Capscrew Seal
10	O-Ring
12	Impeller Key
22	Gland Clamp
25	Sleeve
28	Packing
29	Lantern Ring
65	Capscrews

POWER FRAME REPAIR KIT CONTAINS:

PC #	DESCRIPTION
47A	Slinger
50	Gasket
51	Seal
51A	Seal
52	Retaining Ring
53	Bearing
54	Bearing

THIS PAGE INTENTIONALLY LEFT BLANK

WARRANTY

Seller warrants equipment (and its component parts) of its own manufacture against defects in materials and workmanship under normal use and service for one (1) year from the date of installation or start-up, or for eighteen (18) months after the date of shipment, whichever occurs first. Seller does not warrant accessories or components that are not manufactured by Seller; however, to the extent possible, Seller agrees to assign to Buyer its rights under the original manufacturer's warranty, without recourse to Seller. Buyer must give Seller notice in writing of any alleged defect covered by this warranty (together with all identifying details, including the serial number, the type of equipment, and the date of purchase) within thirty (30) days of the discovery of such defect during the warranty period. No claim made more than 30 days after the expiration of the warranty period shall be valid. Guarantees of performance and warranties are based on the use of original equipment manufactured (OEM) replacement parts. Seller assumes no responsibility or liability if alterations, non-authorized design modifications and/or non-OEM replacement parts are incorporated. If requested by Seller, any equipment (or its component parts) must be promptly returned to Seller prior to any attempted repair, or sent to an authorized service station designated by Seller, and Buyer shall prepay all shipping expenses. Seller shall not be liable for any loss or damage to goods in transit, nor will any warranty claim be valid unless the returned goods are received intact and undamaged as a result of shipment. Repaired or replaced material returned to customer will be shipped F.O.B., Seller's factory. Seller will not give Buyer credit for parts or equipment returned to Seller, and will not accept delivery of any such parts or equipment, unless Buyer has obtained Seller's approval in writing. The warranty extends to repaired or replaced parts of Seller's manufacture for ninety (90) days or for the remainder of the original warranty period applicable to the equipment or parts being repaired or replaced, whichever is greater. This warranty applies to the repaired or replaced part and is not extended to the product or any other component of the product being repaired. Repair parts of its own manufacture sold after the original warranty period are warranted for a period of one (1) year from shipment against defects in materials and workmanship under normal use and service. This warranty applies to the replacement part only and is not extended to the product or any other component of the product being repaired. Seller may substitute new equipment or improve part(s) of any equipment judged defective without further liability. All repairs or services performed by Seller, which are not covered by this warranty, will be charged in accordance with Seller's standard prices then in effect.

THIS WARRANTY IS THE SOLE WARRANTY OF SELLER AND SELLER HEREBY EXPRESSLY DISCLAIMS AND BUYER WAIVES ALL OTHER WARRANTIES EXPRESSED, IMPLIED IN LAW OR IMPLIED IN FACT, INCLUDING ANY WARRANTIES OF MERCHANTABILITY OR FITNESS FOR A PARTICULAR PURPOSE. Seller's sole obligation under this warranty shall be, at its option, to repair or replace any equipment (or its component parts) which has a defect covered by this warranty, or to refund the purchase price of such equipment or part. Under the terms of this warranty, Seller shall not be liable for (a) consequential, collateral, special or liquidated losses or damages; (b) equipment conditions caused by normal wear and tear, abnormal conditions of use, accident, neglect, or misuse of said equipment; (c) the expense of, and loss or damage caused by, repairs or alterations made by anyone other than the Seller; (d) damage caused by abrasive materials, chemicals, scale deposits, corrosion, lightning, improper voltage, mishandling, or other similar conditions; (e) any loss, damage, or expense relating to or resulting from installation, removal or reinstallation of equipment; (f) any labor costs or charges incurred in repairing or replacing defective equipment or parts, including the cost of reinstalling parts that are repaired or replaced by Seller; (g) any expense of shipment of equipment or repaired or replacement parts; or (h) any other loss, damage or expense of any nature.

The above warranty shall not apply to any equipment which may be separately covered by any alternate or special warranties.

PERFORMANCE: In the absence of Certified Pump Performance Tests, equipment performance is not warranted or guaranteed. Performance curves and other information submitted to Buyer are approximate and no warranty or guarantee shall be deemed to arise as a result of such submittal. All testing shall be done in accordance with Seller's standard policy under Hydraulic Institute procedures.

LIABILITY LIMITATIONS: Under no circumstances shall the Seller have any liability under the Order or otherwise for liquidated damages or for collateral, consequential or special damages or for loss of profits, or for actual losses or for loss of production or progress of construction, regardless of the cause of such damages or losses. In any event, Seller's aggregate total liability under the Order or otherwise shall not exceed the contract price.

ACTS OF GOD: Seller shall in no event be liable for delays in delivery of the equipment or other failures to perform caused by fires, acts of God, strikes, labor difficulties, acts of governmental or military authorities, delays in transportation or procuring materials, or causes of any kind beyond Seller's control.

COMPLIANCE WITH LAW: Seller agrees to comply with all United States laws and regulations applicable to the manufacturing of the subject equipment. Such compliance shall include: The Fair Labor Standards Acts of 1938, as amended; Equal Employment Opportunity clauses of Executive Order 11246, as amended; Occupational Safety and Health Act of 1970 and the standards promulgated thereunder, if applicable. Since compliance with the various Federal, State, and Local laws and regulations concerning occupational health and safety, pollution or local codes are affected by the use, installation and operation of the equipment and other matters over which Seller has no control, Seller assumes no responsibility for compliance with those laws and regulations, whether by way of indemnity, warranty, or otherwise. It is incumbent upon the Buyer to specify equipment which complies with local codes and ordinances.



AURORA®

800 Airport Road
North Aurora, Illinois 60542
630-859-7000
www.aurorapump.com