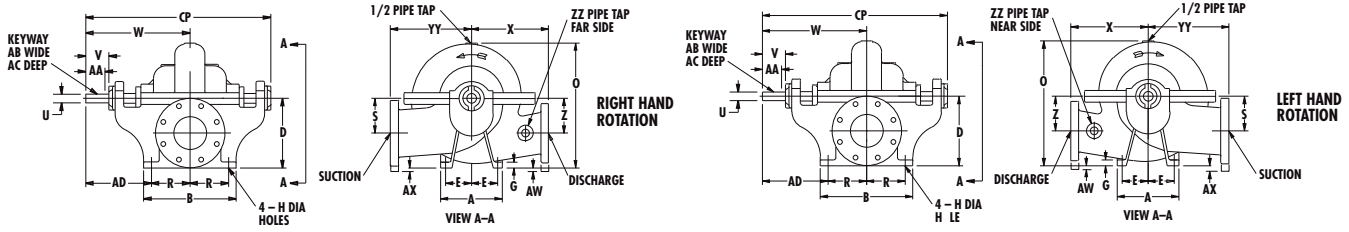


AURORA® MODEL 481 PUMPS

SINGLE-STAGE FIRE SERVICE



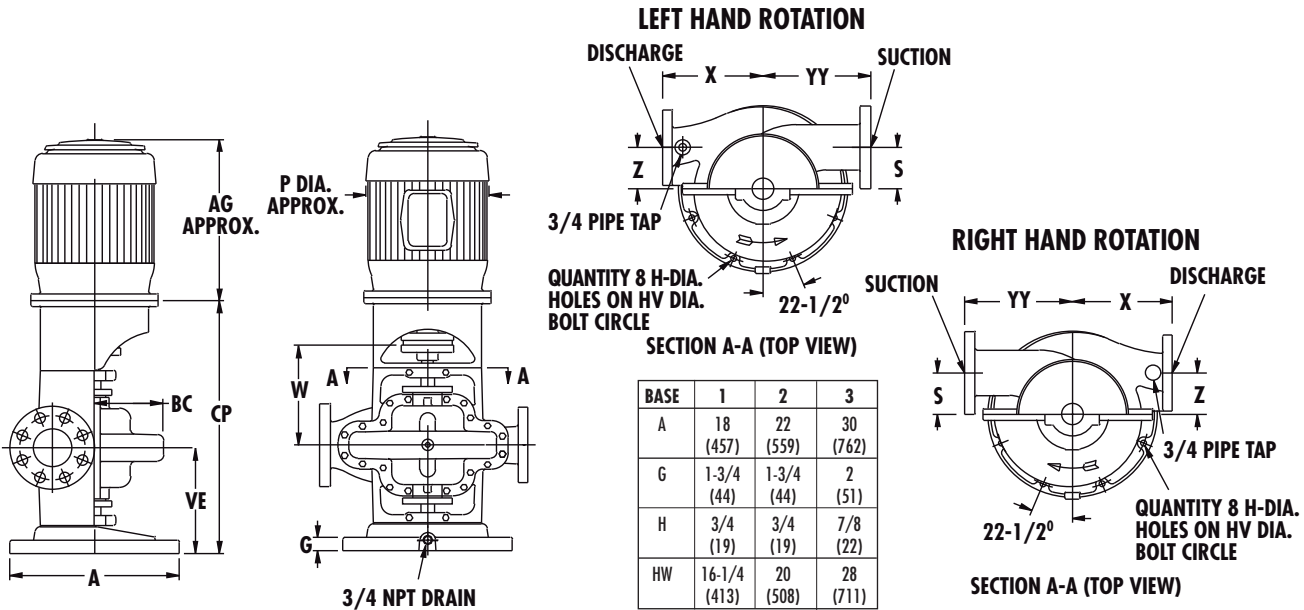
PUMP SIZE		CASE BORE	SUCTION	POWER SERIES	A	B	D	E	G	H	O	R	S	U	V	W	X	Z	AA	AB	AC	AD	AW	AX	CP	YY	ZZ
DISCH	MODEL																										
2-1/2	481	10B	3	2	8 (203)	10 (254)	8 (203)	3-1/2 (89)	3/4 (19)	5/8 (16)	16 (406)	4 (102)	4 (102)	1-1/8 (29)	2-7/8 (73)	13-1/2 (343)	9-3/4 (248)	4 (102)	2-1/8 (54)	1/4 (6)	1/8 (3)	9-1/2 (241)	-	-	24 (610)	10 (254)	
3	481	10	4	2	8 (203)	10 (254)	9 (229)	3-1/2 (89)	3/4 (19)	5/8 (16)	16-1/4 (413)	4 (102)	4-1/2 (114)	1-1/8 (29)	2-7/8 (73)	13-1/2 (343)	10 (254)	4-1/2 (114)	2-1/8 (54)	1/4 (6)	1/8 (3)	9-1/2 (241)	-	1/2 (13)	24 (610)	11 (279)	
4	481	11	5	3	10 (254)	12 (305)	10 (254)	4-1/4 (108)	7/8 (22)	3/4 (19)	18-3/8 (467)	5 (127)	5 (127)	1-3/8 (35)	3 (76)	14-1/2 (368)	11-1/4 (286)	5 (127)	2-3/8 (60)	3/8 (10)	3/16 (5)	9-1/2 (241)	-	1/2 (13)	26 (660)	12-3/4 (324)	
4	481	11	5	3	10 (254)	12 (305)	10 (254)	4-1/4 (108)	7/8 (22)	3/4 (19)	18-3/8 (467)	5 (127)	5 (127)	1-3/8 (35)	3 (76)	14-1/2 (368)	12 (305)	5 (127)	2-3/8 (60)	3/8 (10)	3/16 (5)	9-1/2 (241)	-	1/2 (13)	26 (660)	12-3/4 (324)	
4	481	15	5	3	10 (254)	12 (305)	11 (279)	4-1/4 (108)	7/8 (22)	3/4 (19)	21-1/8 (537)	5 (127)	5 (140)	1-3/8 (35)	3 (76)	14-1/2 (368)	13 (330)	5-1/2 (140)	2-3/8 (60)	3/8 (10)	3/16 (5)	9-1/2 (241)	-	-	26 (660)	14 (356)	
5	481	11	6	4	10 (254)	12 (305)	11 (279)	4-1/4 (108)	7/8 (22)	3/4 (19)	19-3/4 (502)	5 (127)	5 (140)	1-1/2 (38)	3-1/2 (89)	16 (406)	11-1/4 (286)	5-1/2 (140)	2-7/8 (73)	3/8 (10)	3/16 (5)	11 (279)	-	3/4 (19)	28-1/2 (724)	13-1/4 (337)	
5	481	15	6	4	10 (254)	12 (305)	12-1/2 (318)	4-1/4 (108)	7/8 (22)	3/4 (19)	22-1/2 (572)	5 (127)	6-1/4 (159)	1-1/2 (38)	3-1/2 (89)	16 (406)	13-1/4 (337)	6-1/4 (159)	2-7/8 (73)	3/8 (10)	3/16 (5)	11 (279)	-	-	28-1/2 (724)	15 (381)	1-1/4 (32)
5	481	17	6	4	10 (254)	12 (305)	12-1/2 (318)	4-1/4 (108)	7/8 (22)	3/4 (19)	22-1/2 (572)	5 (127)	6-1/4 (159)	1-1/2 (38)	3-1/2 (89)	16 (406)	14 (356)	6-1/4 (159)	2-7/8 (73)	3/8 (10)	3/16 (5)	11 (279)	-	-	28-1/2 (724)	15 (381)	
6	481	11	8	4	10 (254)	12 (305)	12-1/2 (318)	4-1/4 (108)	7/8 (22)	3/4 (19)	21-7/8 (556)	5 (127)	6-1/4 (159)	1-1/2 (38)	3-1/2 (89)	16 (406)	11-3/4 (298)	6-1/4 (159)	2-7/8 (73)	3/8 (10)	3/16 (5)	11 (279)	-	1-1/4 (32)	28-1/2 (724)	14-1/2 (368)	
6	481	11HH	8	4A	12 (305)	14 (368)	16-1/2 (419)	5 (127)	1-1/4 (32)	7/8 (22)	25-3/4 (654)	6 (152)	6 (219)	1-1/2 (38)	3-3/8 (86)	18-1/8 (460)	10 (254)	8-5/8 (219)	2-7/8 (73)	3/8 (10)	3/16 (5)	12-1/8 (308)	-	-	32-7/8 (835)	15 (381)	
6	481	14HH	8	5A	12 (305)	14 (368)	16-1/2 (419)	5 (127)	1-1/4 (32)	7/8 (22)	27 (686)	6 (152)	6 (191)	1-3/4 (44)	4-1/8 (105)	20-1/2 (519)	15 (381)	7-1/2 (191)	2-7/8 (73)	3/8 (10)	3/16 (5)	14-1/2 (368)	-	-	36-3/4 (933)	17 (432)	
6	481	15	8	5	12 (305)	14 (368)	13-1/2 (343)	5 (127)	1 (25)	7/8 (22)	24-7/8 (632)	6 (152)	6 (171)	1-3/4 (44)	4 (102)	18 (457)	14-1/4 (362)	6-3/4 (171)	2-7/8 (73)	3/8 (10)	3/16 (5)	12 (305)	-	3/4 (19)	32 (813)	16-3/4 (425)	
6	481	18	8	5	12 (305)	14 (368)	14-3/4 (375)	5 (127)	3/4 (19)	7/8 (22)	27-1/4 (692)	6 (152)	8 (203)	1-3/4 (44)	4 (102)	18 (457)	16 (406)	8 (203)	2-7/8 (73)	3/8 (10)	3/16 (5)	12 (305)	-	3/4 (19)	32 (813)	18 (457)	
6	481	20	8	5	12 (305)	14 (368)	14-3/4 (375)	5 (127)	1 (25)	7/8 (22)	27-3/4 (705)	6 (152)	8 (203)	1-3/4 (44)	4 (102)	18 (457)	15-3/4 (400)	8 (203)	2-7/8 (73)	3/8 (10)	3/16 (5)	12 (305)	-	3/4 (19)	32 (813)	18 (457)	
8	481	12	10	5	12 (305)	14 (368)	14-3/4 (375)	5 (127)	1-1/4 (32)	7/8 (22)	26-3/8 (670)	6 (152)	6 (203)	1-3/4 (44)	4 (102)	18 (457)	17 (432)	9 (229)	2-7/8 (73)	3/8 (10)	3/16 (5)	12 (305)	1-3/4 (44)	2 (51)	32 (813)	17-3/4 (451)	
8	481	17	10	5	12 (305)	14 (368)	14-3/4 (375)	5 (127)	1-1/4 (32)	7/8 (22)	27-1/8 (689)	6 (152)	8 (203)	1-3/4 (44)	4 (102)	18 (457)	17 (432)	8 (203)	2-7/8 (73)	3/8 (10)	3/16 (5)	12 (305)	3/4 (19)	2 (51)	32 (813)	17-3/4 (451)	
8	481	21	10	6B	20 (508)	17 (432)	18-1/2 (470)	9 (229)	1 (25)	15/16 (24)	32-1/2 (826)	7-1/2 (191)	9-1/2 (241)	2-1/8 (54)	5-7/16 (138)	21-7/8 (556)	18 (432)	9-1/2 (241)	4-3/4 (121)	1/2 (13)	1/4 (6)	14-3/8 (365)	-	-	38 (965)	21 (533)	2 (51)
8	481	24	12	7	15 (381)	22 (559)	26 (660)	6-1/2 (165)	1-1/8 (29)	7/8 (22)	43-7/8 (1114)	10 (254)	15 (381)	2-1/2 (64)	6-5/8 (168)	25-1/4 (641)	20 (508)	15 (381)	5 (127)	5/8 (16)	5/16 (8)	15-1/4 (387)	-	-	43-7/8 (1114)	25 (635)	1-1/4 (32)
10	481	15	12	6B	15 (381)	22 (559)	25 (635)	6-1/2 (165)	1 (25)	7/8 (22)	38-1/2 (978)	10 (254)	13-1/2 (343)	2-1/8 (54)	5-7/16 (138)	21-7/8 (556)	17 (432)	13-1/2 (343)	4-3/4 (121)	1/2 (13)	1/4 (6)	11-7/8 (301)	-	-	38 (965)	20 (508)	1-1/4 (32)
10	481	18	12	6B	15 (381)	22 (559)	25 (635)	6-1/2 (165)	1 (25)	7/8 (22)	39-1/2 (1003)	10 (254)	13-1/2 (343)	2-1/8 (54)	5-7/16 (138)	21-7/8 (556)	18 (432)	13-1/2 (343)	4-3/4 (121)	1/2 (13)	1/4 (6)	11-7/8 (301)	-	-	38 (965)	22 (559)	
10	481	18D	12	7A	15 (381)	22 (559)	25 (635)	6-1/2 (165)	1-1/4 (32)	7/8 (22)	40-1/2 (1029)	10 (254)	12-1/4 (311)	2-1/8 (54)	5 (127)	24-1/4 (616)	20 (508)	12-1/4 (311)	6-5/8 (168)	1/2 (13)	1/4 (6)	14-1/4 (362)	-	-	43 (1092)	24 (610)	2 (51)
12	481	18	14	7	15 (381)	22 (559)	24 (610)	6-1/2 (165)	1 (25)	7/8 (22)	40-1/8 (1019)	10 (254)	15 (381)	2-1/2 (64)	6-5/8 (168)	25-1/4 (641)	18 (457)	15 (381)	5 (127)	5/8 (16)	5/16 (8)	15-1/4 (387)	-	-	43 (1114)	23 (584)	

NOTES

- All dimensions are in inches (mm).
- Dimensions may vary ± 3/8" (10).
- Not for construction purposes unless certified.
- Suction & discharge flanges ANSI Standard flat face.

STD. 125# SUCTION AND DISCHARGE FLANGES	OPT. 125# SUCTION FLANGE, 250# DISCHARGE FLANGE	OPT. 250# SUCTION AND DISCHARGE FLANGES
---	---	---

* Pump sizes 6-481-11HH & 6-481-14HH are furnished as standard with 125# suction flange and 250# discharge flange.

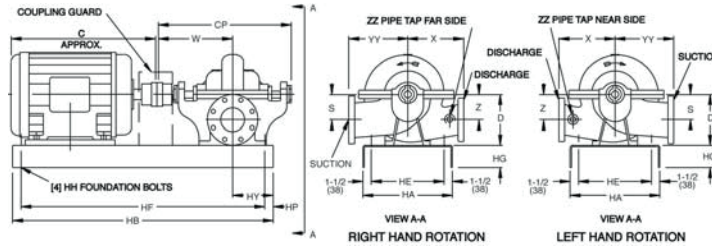


PUMP SIZE		DISCH	MODEL	CASE BORE	SUCTION	POWER SERIES	BASE	S	W	X	Z	BC	VE	YY	CP														
STANDARD 125# SUCTION AND DISCHARGE FLANGES	OPTIONAL 125# SUCTION AND 250# DISCHARGE FLANGES														OPTIONAL 250# SUCTION AND 250# DISCHARGE FLANGES	21 3HP	21 5HP	25 4HP	25 6HP	28 4HP	28 6HP	32 4HP	32 6HP	36 4HP	36 5HP	40 4HP	40 5HP	44 4HP	44 5HP
															10	11	12	12	14	14	16	16	21	22	22	24	24		
															18	18	20	22	23	24	24	37	37	40	40	45	45	43	43

- NOTES**
- All dimensions are in inches (mm).
 - Dimensions may vary ± 3/8" (10).
 - Not for construction purposes unless certified.
 - Suction and discharge flanges are ANSI standard flat face.
 - Motor dimensions "AG" and "P" will vary based on manufacturer and style of motor. Conduit box is shown in approximate location.

AURORA® MODEL 481 PUMPS

ON STANDARD STEEL BASE



STANDARD 125# SUCTION AND DISCHARGE FLANGES				OPTIONAL 125# SUCTION FLANGE, 250# DISCHARGE FLANGE				OPTIONAL 250# SUCTION AND DISCHARGE FLANGES				MOTOR FRAME																												
PUMP SIZE			POWER SERIES	D	S	W	X	Z	CP	HY	YY	ZZ	C																											
DISCH	MODEL	CASE BORE											APPROX	18 (457)	21 (533)	23 (584)	22 (558)	24 (609)	25 (635)	25 (660)	26 (711)	28 (736)	29 (736)	28 (711)	30 (761)	30 (761)	33 (838)	32 (812)	35 (888)	34 (863)	38 (964)	36 (914)	40 (1015)	40 (1015)	44 (1117)	44 (1117)	45 (1143)	45 (1245)		
2-1/2	481	10B	3	8 (203)	4 (102)	13-1/2 (343)	9-3/4 (247)	4 (102)	20 (609)	5 (127)	10 (254)		BASE	5	7	7	9	9	9	9	10	11	10	11	11	11	11	11	12											
3	481	10	4	9 (228)	4-1/2 (114)	13-1/2 (343)	10 (254)	4-1/2 (114)	24 (609)	5 (127)	11 (279)		BASE	5	7	7	9	9	9	10	11	10	11	11	11	11	11	12												
4	481	11A 11C	5	10+ (254)	5 (127)	14-1/2 (368)	11-1/4 (286)	5 (127)	26 (660)	6 (152)	12-3/4 (324)		BASE	7	7	9	11	11	11	11	11	11	11	11	12	12	12	15	15	15	15	15	15	15	15					
4	481	11D	5	10 (254)	5 (127)	14-1/2 (368)	12 (305)	5 (127)	26 (660)	6 (152)	12-3/4 (324)		BASE	7	7	9	11	11	11	11	11	11	11	11	12	12	12	15	15	15	15	15	15	15	15					
4	481	15	5	11 (279)	5-1/2 (140)	14-1/2 (368)	13 (330)	5-1/2 (140)	26 (660)	6 (152)	14 (355)		BASE	-	7	9	11	11	11	11	11	11	11	11	12	12	12	15	15	15	15	15	15	15						
5	481	11B 11C	6	11** (279)	5-1/2 (140)	16 (406)	11-1/4 (286)	5-1/2 (140)	28-1/2 (723)	6 (152)	13-1/4 (336)		BASE	7	9	10	11	11	11	11	12	12	12	12	12	12	12	15	15	15	15	15	15	16	16	16	16			
5	481	15	6	12-1/2 (217)	6-1/4 (159)	16 (406)	13-1/4 (336)	6-1/4 (159)	26-1/2 (673)	6 (152)	15 (381)		BASE	7	9	10	11	11	11	11	12	12	12	12	12	12	12	15	15	15	15	15	15	16	16	16	16			
5	481	17	6	12-1/2 (217)	6-1/4 (159)	16 (406)	14 (355)	6-1/4 (159)	28-1/2 (723)	6 (152)	15 (381)		BASE	7	9	10	11	11	11	11	12	12	12	12	12	12	12	15	15	15	15	15	15	16	16	16	16			
6	481	11	8	12-1/2 (217)	6-1/4 (159)	16 (406)	11-3/4 (298)	6-1/4 (159)	28-1/2 (723)	6 (152)	14-1/2 (368)		BASE	7	9	10	11	11	11	11	12	12	12	12	12	12	12	15	15	15	15	15	16	16	16	16				
6	481	11HH	8	16-1/2 (419)	8-5/8 (219)	18-1/2 (460)	10 (254)	8-5/8 (219)	32-7/8 (835)	8 (203)	15 (381)		BASE																											
6	481	14HH	8	16-1/2 (419)	7-1/2 (191)	20-1/2 (519)	15 (381)	7-1/2 (191)	36-3/4 (933)	8 (203)	17 (431)		BASE																											
6	481	15B 15C	8	13-1/2 (343)	6-3/4 (171)	18 (457)	14-1/4 (368)	6-3/4 (171)	32 (812)	7 (178)	16-3/4 (425)		BASE	-	11	12	12	12	12	12	12	12	12	12	12	12	13	13	15	15	15	15	16	16	16	16				
6	481	18B 18C	8	14-3/4 (374)	8 (203)	18 (457)	16 (406)	8 (203)	32 (812)	7 (178)	18 (457)		BASE		10	11	12	12	12	12	12	12	12	12	12	12	13	13	15	15	15	16	16	16	16	16				
6	481	20	8	14-3/4 (374)	8 (203)	18 (457)	15-3/4 (400)	8 (203)	32 (812)	7 (178)	18 (457)		BASE		10	11	12	12	12	12	12	12	12	12	12	12	13	13	15	15	15	16	16	16	16	16				
8	481	12	10	14-3/4 (374)	8 (203)	18 (457)	17 (431)	9 (228)	32 (812)	7 (178)	17-3/4 (450)		BASE		10	11	12	12	12	12	12	12	12	12	12	12	13	13	15	15	15	16	16	16	16	16				
8	481	17B	10	14-3/4 (374)	8 (203)	18 (457)	17 (431)	8 (32)	32 (812)	7 (178)	17-3/4 (450)		BASE		10	11	12	12	12	12	12	12	12	12	12	12	13	13	15	15	15	16	16	16	16	16				
8	481	21 21A	10	18-1/2 (470)	9-1/2 (241)	21-7/8 (555)	18 (457)	9-1/2 (241)	38 (964)	11 (279)	21 (533)		BASE																											
8	481	24	12	26 (660)	15 (381)	25-1/4 (641)	20 (508)	15 (381)	43-7/8 (1114)	11 (279)	25 (635)		BASE																											
10	481	15C	12	25 (635)	13-1/2 (343)	21-7/8 (555)	17 (431)	13-1/2 (343)	38 (964)	11 (279)	20 (508)		BASE																											
10	481	18	12	25 (635)	13-1/2 (343)	21-7/8 (555)	18 (457)	13-1/2 (343)	38 (964)	11 (279)	22 (558)		BASE																											
10	481	18D	12	25 (635)	12-1/4 (311)	24-1/4 (616)	20 (508)	12-1/4 (311)	43 (1092)	11-1/2 (292)	24 (610)		BASE																											
12	481	18A	14	24 (609)	15 (381)	25-1/4 (615)	18 (457)	15 (381)	44 (1117)	11 (279)	23 (584)		BASE																											

- NOTES**
- All dimensions are in inches.
 - Dimensions may vary ± 3/8".
 - Not for construction purposes unless certified.
 - Coupling gap may vary 1/8" thru 2-1/16".
 - Conduit box is shown in approximate location. Dimensions are not specified as they vary with each motor manufacturer.
 - Suction and discharge flanges are ANSI standard flat face.
- * D is 10-1/2" when using frames 324TS - 365TS.
 ** D is 12 when using frames 404TS - 445TS.
 *** Pump sizes 6-481-11HH & 6-481-14HH are furnished as standard with 125# suction flange & 250# discharge flange.
 +D is 10-1/2" when using frames 404TS - 405T and D is 11 when using frames 444TS - 445TS.

BASE	HA	HB	HE	HG	HH	HF	HP
5	12 (305)	38 (964)	9 (228)	3 (76)	1/2 (13)	17 (431)	20 (508)
7	13 (330)	42 (1066)	10 (254)	4 (101)	5/8 (15)	17 (431)	24 (609)
9	15 (381)	44 (1117)	12 (305)	3-3/8 (86)	5/8 (15)	19 (482)	24 (609)
10	18 (457)	44 (1117)	15 (381)	4 (101)	5/8 (15)	42 (1066)	1 (25)
11	18 (457)	48 (1219)	15 (381)	4 (101)	5/8 (15)	46 (1168)	1 (25)
12	18 (457)	54 (1371)	15 (381)	4 (101)	5/8 (15)	52 (1320)	1 (25)
13	18 (457)	60 (1524)	15 (381)	4 (101)	5/8 (15)	35 (888)	24 (609)
14	18 (457)	65 (1651)	15 (381)	4 (101)	5/8 (15)	40 (1015)	24 (609)
15	22 (558)	60 (1524)	19 (482)	4 (101)	5/8 (15)	58 (1473)	1 (25)
16	22 (558)	72 (1828)	19 (482)	4 (101)	5/8 (15)	70 (1778)	1 (25)
17	22 (558)	84 (2133)	19 (482)	4 (101)	5/8 (15)	82 (2082)	1 (25)

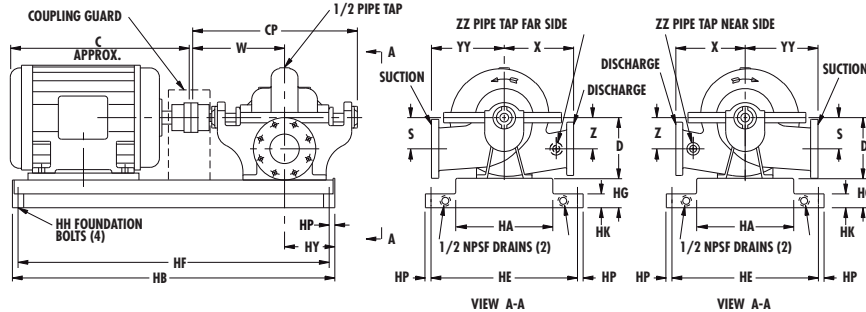


AURORA® MODEL 481 PUMPS

ON STEEL DRIP RIM BASE

Supersedes Section 912 Page 261

Dated JUNE 2014



BASE	SIZE	HA	HB	HE	HF	HG	HH	HK	HP
5	11x36	11 (279)	36-1/2 (926)	15-7/8 (403)	35-1/8 (891)	3 (76)	1/2 (13)	1-1/2 (38)	11/16 (17)
6	11x42	11 (279)	42-1/2 (1079)	15-7/8 (403)	41-1/8 (1044)	3 (76)	1/2 (13)	1-1/2 (38)	11/16 (17)
8	14x42	14 (355)	42-1/2 (1079)	19 (482)	41 (1041)	3 (76)	5/8 (16)	1-1/2 (38)	3/4 (19)
9	14x48	14 (355)	48-1/2 (1231)	19 (482)	47 (1193)	3 (76)	5/8 (16)	1-1/2 (38)	3/4 (19)
11	18x46	18 (457)	46-1/2 (1180)	25-1/8 (638)	44-7/8 (1139)	4 (102)	3/4 (19)	2 (51)	13/16 (21)
12	18x54	18 (457)	54-1/2 (1383)	25-1/8 (638)	52-7/8 (1342)	4 (102)	3/4 (19)	2 (51)	13/16 (21)
13	18x64	18 (457)	64-1/2 (1637)	25-1/8 (638)	62-7/8 (1593)	4 (102)	3/4 (19)	2 (51)	13/16 (21)
15	22x54	22 (558)	54-1/2 (1383)	29-1/8 (739)	52-7/8 (1342)	4-1/2 (114)	3/4 (19)	2 (51)	13/16 (21)
16	22x64	22 (558)	64-1/2 (1637)	29-1/8 (739)	62-7/8 (1593)	4-1/2 (114)	3/4 (19)	2 (51)	13/16 (21)
17	22x74	22 (558)	74-1/2 (1891)	29-1/8 (739)	72-7/8 (1850)	4-1/2 (114)	3/4 (19)	2 (51)	13/16 (21)
18	22x82	22 (558)	82-1/2 (2094)	29-1/8 (739)	80-7/8 (2053)	4-1/2 (114)	3/4 (19)	2 (51)	13/16 (21)

STANDARD 125# SUCTION AND DISCHARGE FLANGES				OPTIONAL 125# SUCTION FLANGE, 250# DISCHARGE FLANGE				OPTIONAL 250# SUCTION AND DISCHARGE FLANGES				MOTOR FRAME	C APPROX.																												
PUMP SIZE				SUCTION SERIES	D	S	W	X	Z	CP	HY	YY	ZZ	215T	254T	256T	284T	284T	286T	286T	324T	324T	326T	326T	364T	364T	365T	365T	404T	404T	405T	405T	444T	444T	445T	445T	447T	447T	449T	449T	
DISCH	MODEL	CASE BORE	POWER											(305)	(330)	(355)	(406)	(457)	(533)	(584)	(558)	(609)	(609)	(635)	(635)	(660)	(660)	(711)	(711)	(736)	(711)	(761)	(761)	(838)	(838)	(787)	(787)	(863)	(863)	(863) 39	(863) 39
2-1/2	481	10B	3	2	8+ (203)	4 (102)	13-1/2 (343)	9-3/4 (247)	4 (102)	24 (609)	5 1/2 (127)	10 (254)																													

NOTES
 1. All dimensions are in inches (mm).
 2. Dimensions may vary ± 3/8" (10).
 3. Not for construction purposes unless certified.
 4. Coupling gap may vary 1/8" (3) thru 1" (25).

5. Conduit box is shown in approximate location. Dimensions are not specified as they vary with each motor manufacturer.
 6. Suction and discharge flanges are ANSI standard flat face.
 7. Three groud holes are provided in top of base.

+ D is 9" (228) when using frames 364TS-365TS.
 * D is 10-1/2" (266) when using frames 324TS-365TS.

** D is 12" (305) when using frames 404TS-445TS.
 *** Pump sizes 6-481-11HH & 6-481-14HH are furnished as standard with 125# suction flange and 250# discharge flange.

