

AURORA® MODEL 485 PUMPS

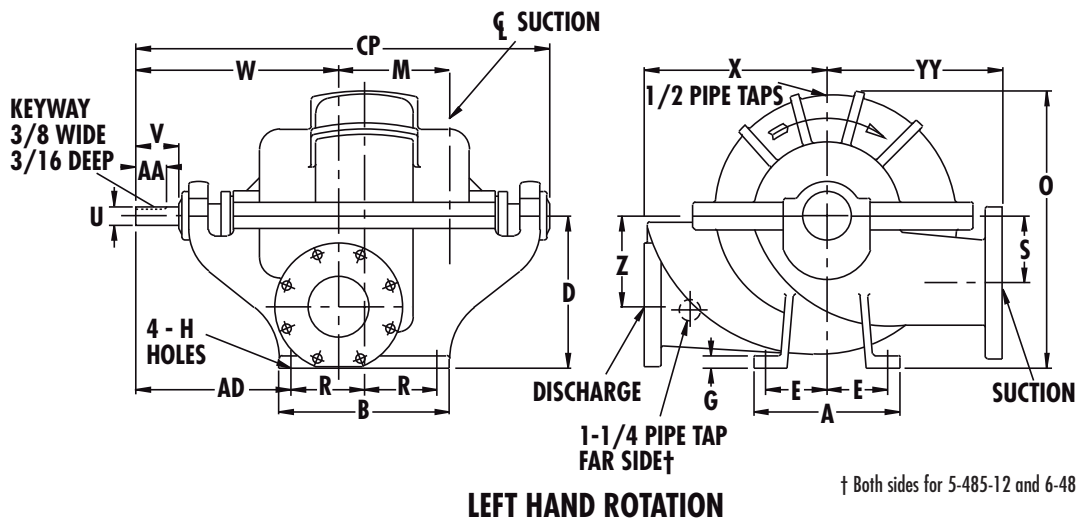
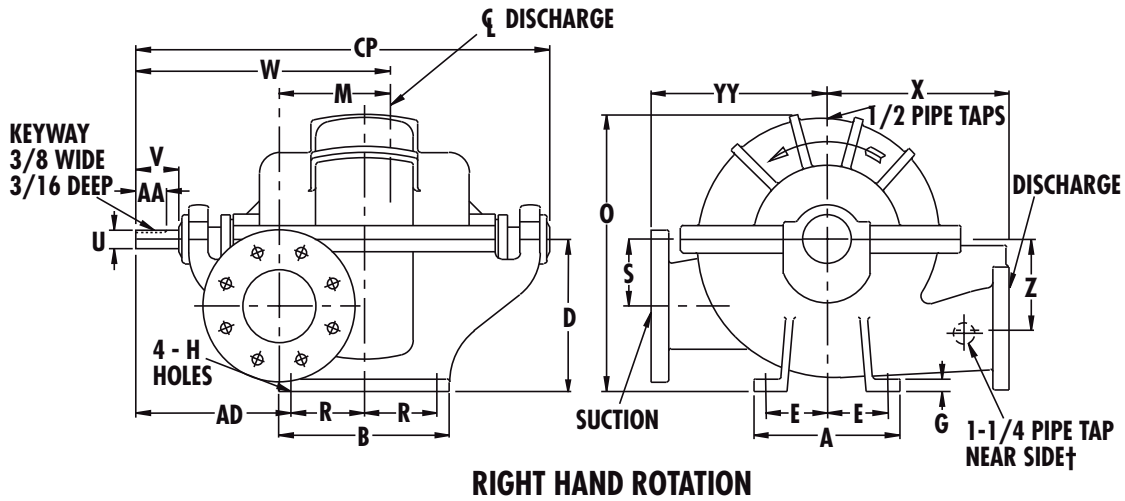
MULTI-STAGE FIRE SERVICE

Section **912** Page **203**

Date **AUGUST 2014**

Supersedes Section 912 Page 203

Dated JUNE 2014



† Both sides for 5-485-12 and 6-485-12

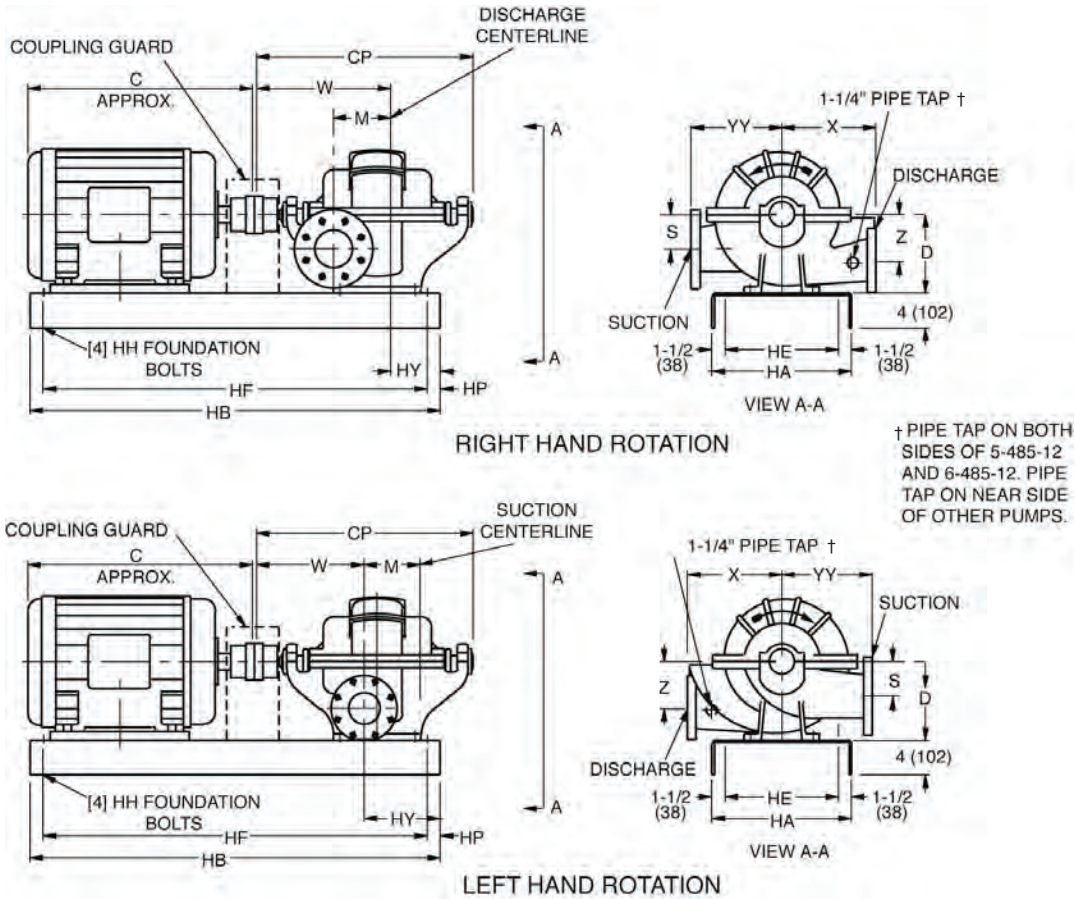
PUMP SIZE		CASE BORE	SUCTION	POWER SERIES	A	B	D	E	G	H	M	O	R	S	U	V	RIGHT HAND ROTATION	LEFT HAND ROTATION	X	Z	AA	AD	CP	YY
DISCH	MODEL																W	W						
4	485	15	5	3	10 (254)	12 (304)	11 (279)	4-1/4 (108)	7/8 (22)	3/4 (19)	7-1/8 (181)	23 (584)	5 (127)	5 (127)	1-3/8 (35)	3 (76)	18-7/8 (479)	15-1/8 (384)	13 (330)	6-1/2 (165)	2 (51)	12 (304)	31 (787)	13-1/2 (343)
5	485	12	5	4A	15 (381)	16 (406)	14 (356)	6-1/2 (165)	1 (25)	7/8 (22)	6-5/8 (168)	24-1/4 (616)	7 (179)	7 (179)	1-1/2 (38)	3-5/8 (92)	20-7/8 (530)	18-1/8 (460)	13 (330)	7 (179)	2-1/2 (64)	12-1/2 (318)	35-3/8 (899)	13 (330)
5	485	15	6	4	12 (304)	14 (356)	12-1/2 (318)	5 (127)	1 (25)	7/8 (22)	9-1/8 (232)	24-1/2 (622)	6 (152)	5-1/2 (140)	1-1/2 (38)	3-1/2 (89)	21-1/8 (537)	16-7/8 (429)	15 (381)	7-1/2 (191)	2 (51)	13 (330)	34-1/2 (876)	15-7/16 (392)
6	485	12	6	5A	16 (406)	19 (483)	15 (381)	7 (179)	1 (25)	7/8 (22)	7-1/2 (191)	26-1/4 (667)	8-1/2 (216)	8 (203)	1-3/4 (44)	4 (102)	22-7/8 (581)	19-5/8 (498)	14 (356)	8 (203)	2-3/4 (70)	12-3/4 (324)	38-1/2 (078)	14 (356)
6	485	16/16B	8	5	12 (305)	14 (356)	16.50 (419)	5 (127)	1 (25)	.88 (22)	10.50 (267)	33.50 (851)	6 (152)	8.25 (210)	1.75 (44)	4 (102)	23.63 (600)	18.38 (467)	19 (483)	7.75 (197)	2.88 (73)	15 (381)	37.88 (962)	17 (432)
6	485	17	8	5	12 (304)	14 (356)	14-3/4 (375)	5 (127)	1 (25)	7/8 (22)	11 (279)	28-1/4 (718)	6 (152)	7 (179)	1-3/4 (44)	4 (102)	24-1/2 (622)	17-1/2 (445)	16 (406)	9 (229)	2-7/8 (73)	15 (381)	38 (965)	16-1/2 (419)

NOTES

1. All dimensions are in inches (mm).
2. Dimensions may vary ± 3/8" (10).
3. Not for construction purposes unless certified.
4. Suction & discharge flanges ANSI Standard flat face.

STD. *125# SUCTION FLANGE, *250# DISCHARGE FLANGE	OPT. *250# SUCTION AND DISCHARGE FLANGES
---	--

* 150# AND 300# OR 300# AND 300# SUCTION AND DISCHARGE DUCTILE IRON FOR 5-485-12 AND 6-485-12



† PIPE TAP ON BOTH SIDES OF 5-485-12 AND 6-485-12. PIPE TAP ON NEAR SIDE OF OTHER PUMPS.

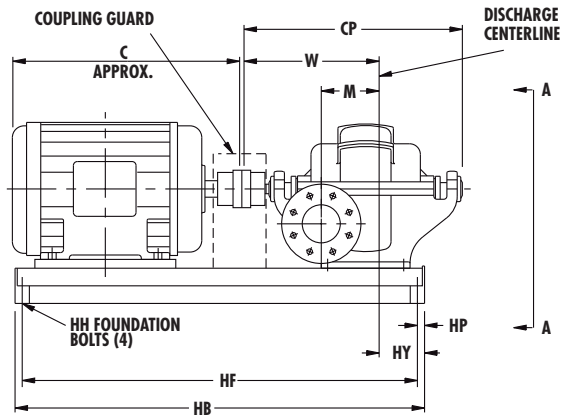
PUMP SIZE		STANDARD* 125# SUCTION AND 250# DISCHARGE FLANGE		OPTIONAL* 250# SUCTION AND DISCHARGE FLANGES		MOTOR FRAME																								
DISCH	MODEL	CASE BORE	SUCTION	POWER SERIES	D	M	S	RIGHT HAND ROTATION W	LEFT HAND ROTATION W	X	Z	CP	RIGHT HAND ROTATION HY	LEFT HAND ROTATION HY	YY	C	326TS (660)	326T (711)	364TS (685)	364T (736)	365TS (711)	365T (761)	404TS (838)	404T (882)	405TS (914)	405T (963)	444TS (914)	444T (991)	447TS (1143)	
4	485	15	5	3	11 (279)	7-1/8 (181)	5 (127)	18-7/8 (479)	15-1/8 (384)	13 (330)	6-1/2 (165)	31 (787)	4-1/8 (105)	7-7/8 (200)	13-1/2 (343)	BASE	12	12	12	12	12	12	12	15	15	15	15	15	15	
5	485	12	5	4A	14 (356)	6-5/8 (168)	7 (178)	20-7/8 (530)	18-1/8 (460)	13 (330)	7 (178)	35-3/8 (889)	11-1/8 (283)	13-7/8 (352)	13 (330)	BASE							16	16	16	16	16	17	17	
5	485	15	6	4	12-1/2 (317)	9-1/8 (232)	5-1/2 (140)	21-1/8 (536)	16-7/8 (428)	15 (381)	7-1/2 (190)	34-1/2 (876)	4-7/8 (124)	9-1/8 (232)	15-7/16 (392)	BASE	12	12	12	12	12	13	15	15	15	15	15	16		
6	485	12	6	5A	15 (381)	7-1/2 (191)	8 (203)	22-7/8 (581)	19-5/8 (498)	14 (356)	8 (203)	38-1/2 (978)	10-7/8 (276)	14-1/8 (359)	14 (356)	BASE								16	16	16	16	17	17	
6	485	16/168	8	5	16.5 (419)	10.5 (267)	8.25 (210)	23.63 (600)	18.38 (467)	19 (483)	7.75 (197)	37.88 (962)	5 (127)	10.25 (260)	17 (432)	BASE					13	13	16	16	16	16	16	16	17	
6	485	17A	8	5	14-3/4 (374)	11 (279)	7 (178)	24-1/2 (622)	17-1/2 (444)	16 (406)	9 (228)	38 (964)	3-1/2 (89)	10-1/2 (266)	16-1/2 (419)	BASE	13	13	13	13	13	13	15	15	15	16	16	16		

BASE	SIZE	HA	HB	HE	HF	HH	HP
12	18x54 (558)	18 (457)	54 (1372)	15 (381)	52 (1321)	5/8 (16)	1 (25)
13	18x60 (660)	18 (457)	60 (1524)	15 (381)	35 (889)	5/8 (16)	24 (609)
15	22x60 (660)	22 (559)	60 (1524)	19 (483)	58 (1473)	3/4 (19)	1 (25)
16	22x72 (660)	22 (559)	72 (1829)	19 (483)	70 (1777)	5/8 (16)	1 (25)
17	22x84 (660)	22 (559)	84 (2134)	19 (483)	80 (2083)	5/8 (16)	1 (25)

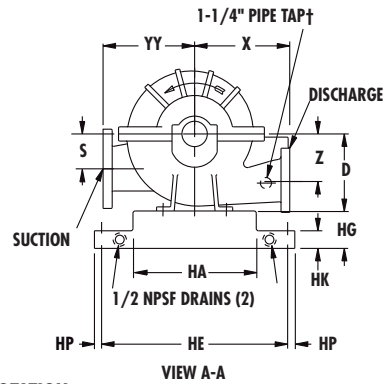
NOTES

1. All dimensions are in inches (mm).
2. Dimensions may vary ± 3/8" (10).
3. Not for construction purposes unless certified.
4. Coupling gap may vary 1/8" thru 1".
5. Conduit box is shown in approximate location. Dimensions are not specified as they vary with each motor manufacturer.
6. Suction and discharge flanges are ANSI standard flat face.

* 150# AND 300# OR 300# AND 300# SUCTION AND DISCHARGE DUCTILE IRON FOR 5-485-12 AND 6-485-12

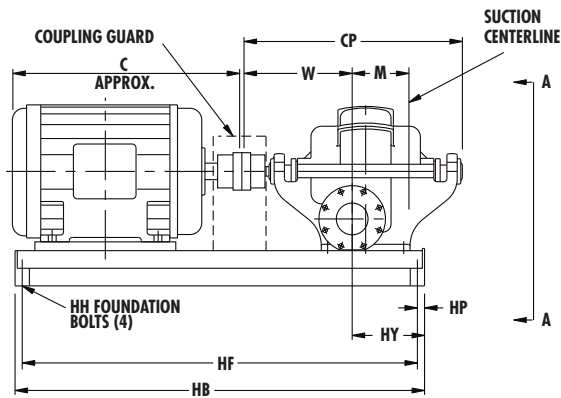


RIGHT HAND ROTATION

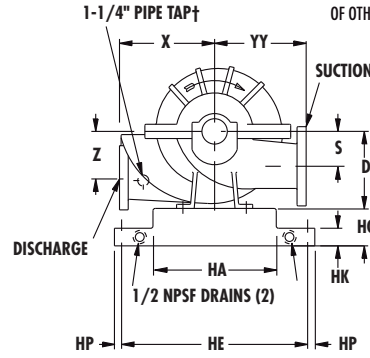


VIEW A-A

† PIPE TAP ON BOTH SIDES OF 5-485-12 AND 6-485-12. PIPE TAP ON NEAR SIDE OF OTHER PUMPS.



LEFT HAND ROTATION



VIEW A-A

* 150# AND 300# OR 300# AND 300# SUCTION AND DISCHARGE DUCTILE IRON FOR 5-485-12 AND 6-485-12

PUMP SIZE		STANDARD* 125# SUCTION AND 250# DISCHARGE FLANGE		OPTIONAL* 250# SUCTION AND DISCHARGE FLANGES		RIGHT HAND ROTATION		LEFT HAND ROTATION		RIGHT HAND ROTATION		LEFT HAND ROTATION		MOTOR FRAME	26	28	27	29	28	30	30	33	32	36	34	36	39	45		
DISCH	MODEL	CASE BORE	SUCTION	POWER SERIES	D	M	S	W	W	X	Z	CP	HY	HY	YY	C	(660)	(711)	(685)	(736)	(711)	(761)	(838)	(812)	(914)	(863)	(914)	(991)	(1143)	
4	485	15	5	3	11 (279)	7-1/8 (181)	5 (127)	18-7/8 (479)	15-1/8 (384)	13 (330)	6-1/2 (165)	31 (787)	4-5/8 (117)	8-3/8 (213)	13-1/2 (343)	BASE	12	12	12	12	12	12	15	16	16	16	16	16	16	
5	485	12	5	4A	14 (356)	6-5/8 (168)	7 (178)	20-7/8 (530)	18-1/8 (460)	13 (330)	7 (178)	35-3/8 (889)	11-1/8 (283)	13-7/8 (352)	13 (330)	BASE							17	17	17	17	17	18	18	
5	485	15	6	4	12-1/2 (317)	9-1/8 (232)	5-1/2 (140)	21-1/8 (536)	16-7/8 (428)	15 (381)	7-1/2 (190)	34-1/2 (876)	5-3/8 (143)	9-5/8 (244)	15-7/16 (392)	BASE	12	12	12	12	12	13	16	16	16	16	16	16	16	
6	485	12	6	5A	15 (381)	7-1/2 (191)	8 (203)	22-7/8 (581)	19-5/8 (498)	14 (356)	8 (203)	38-1/2 (978)	10-7/8 (276)	14-1/8 (359)	14 (356)	BASE								17	17	17	17	18	18	
6	485	16/168	8	5	16.5 (419)	10.5 (267)	8.25 (210)	23.63 (600)	18.38 (467)	19 (483)	7.75 (197)	37.88 (962)	5 (127)	10.25 (260)	17 (432)	BASE							16	16	16	16	16	17	17	18
6	485	17	8	5	14-3/4 (374)	11 (279)	7 (178)	24-1/2 (622)	17-1/2 (444)	16 (406)	9 (228)	38 (964)	4 (102)	11 (279)	16-1/2 (419)	BASE							13	13	16	16	16	16	16	

BASE	SIZE	HA	HB	HE	HF	HG	HH	HK	HP
12	18x54	18 (457)	54-1/2 (1383)	25-1/8 (638)	52-7/8 (1342)	4 (102)	3/4 (19)	2 (51)	13/16 (21)
13	18x64	18 (457)	64-1/2 (1637)	25-1/8 (638)	62-7/8 (1593)	4 (102)	3/4 (19)	2 (51)	13/16 (21)
15	22x54	22 (559)	54-1/2 (1383)	29-1/8 (740)	52-7/8 (1342)	4-1/2 (114)	3/4 (19)	2 (51)	13/16 (21)
16	22x64	22 (559)	64-1/2 (1637)	29-1/8 (740)	62-7/8 (1593)	4-1/2 (114)	3/4 (19)	2 (51)	13/16 (21)
17	22x74	22 (559)	74-1/2 (1892)	29-1/8 (740)	72-7/8 (1851)	4-1/2 (114)	3/4 (19)	2 (51)	13/16 (21)
18	22x82	22 (559)	82-1/2 (2096)	29-1/8 (740)	80-7/8 (2054)	4-1/2 (114)	3/4 (19)	2 (51)	13/16 (21)

NOTES

1. All dimensions are in inches (mm) and may vary ± 3/8" (10).
2. Not for construction purposes unless certified.
3. Coupling gap may vary 1/8" (3) thru 1" (25).
4. Conduit box is shown in approximate location.

Dimensions are not specified as they vary with each motor manufacturer.

5. Suction and discharge flanges are ANSI standard flat face.
6. Three gROUT holes are provided in top of base.