

# EDWARDS MODEL 150 PUMPS

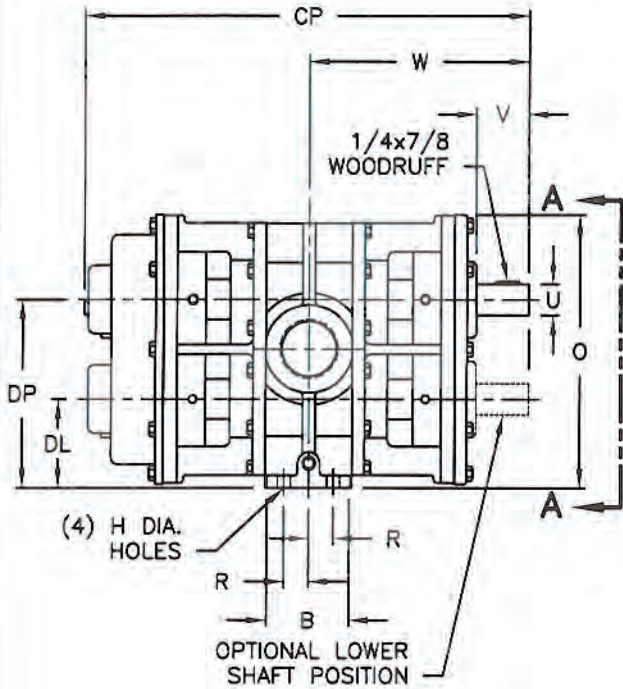
ROTARY GEAR PUMPS  
PUMP ONLY

SECTION 150 PAGE 201

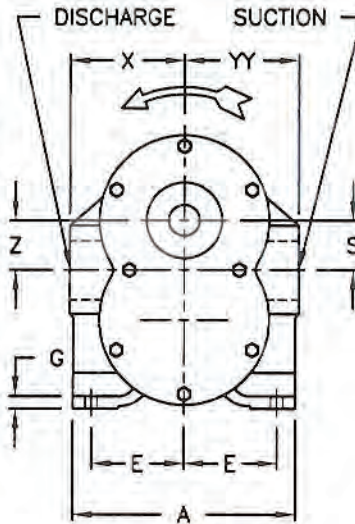
DATED APRIL 2009

SUPERSEDES PAGE 201

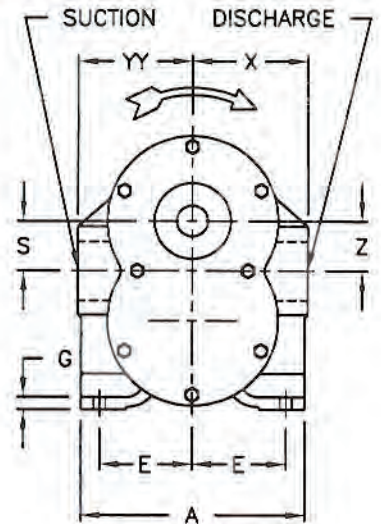
DATED MAY 2005



## UPPER DRIVE

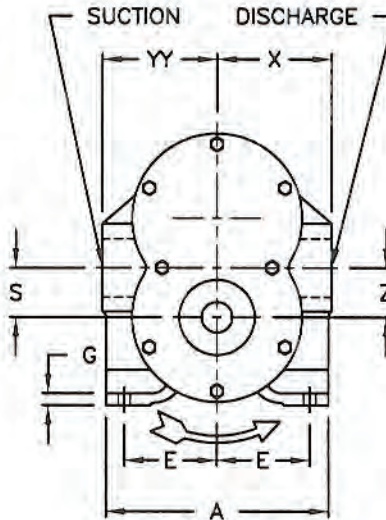


VIEW A-A  
LEFT HAND  
ROTATION

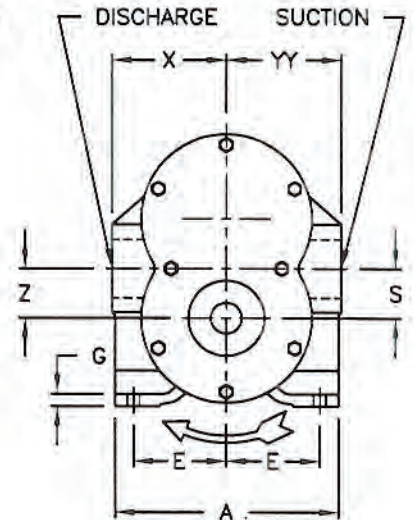


VIEW A-A  
RIGHT HAND  
ROTATION

## LOWER DRIVE



VIEW A-A  
LEFT HAND  
ROTATION



VIEW A-A  
RIGHT HAND  
ROTATION

### NOTES:

1. All dimensions are in inches (mm).
2. Dimensions may vary  $\pm .25"$  (6).
3. Not for construction purposes unless certified.
4. Discharge and suction ports are:  
F-NPT (Female pipe threads)
5. Use the following notation for pump identification:  
UR = UPPER SHAFT - RIGHT HAND ROTATION  
UL = UPPER SHAFT - LEFT HAND ROTATION  
LR = LOWER SHAFT - RIGHT HAND ROTATION  
LL = LOWER SHAFT - LEFT HAND ROTATION

MODEL	DISCHARGE	SUCTION	A	B	CP	DL	DP	E	G	H
150	2" F-NPT	2" F-NPT	9.00 (229)	3.38 (86)	17.75 (451)	3.60 (91)	7.61 (193)	3.75 (95)	.50 (13)	.53 (13)

MODEL	O	R	S	U	V	W	X	YY	Z
150	11.08 (281)	1.00 (25)	2.00 (51)	1.25 (32)	2.13 (54)	8.88 (226)	4.72 (120)	4.72 (120)	2.00 (51)



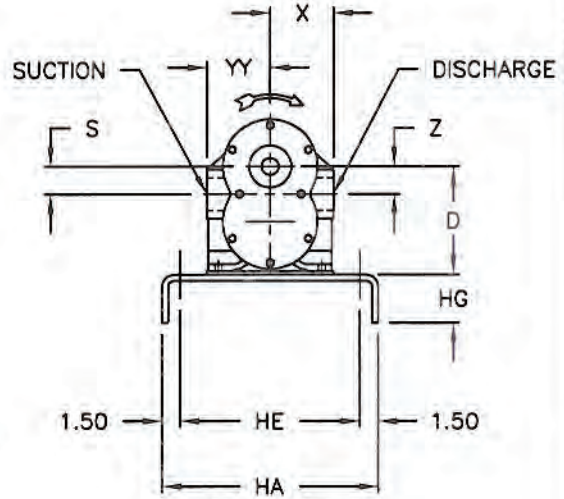
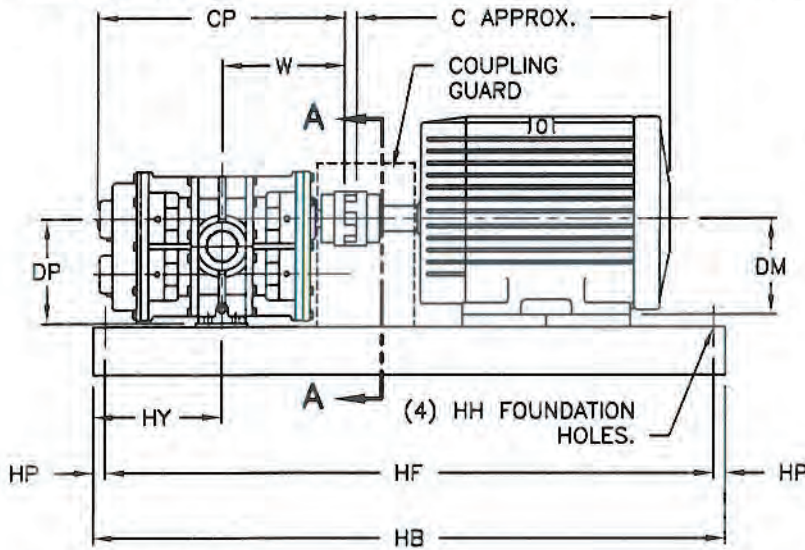
PENTAIR

AURORA® EDWARDS SERIES

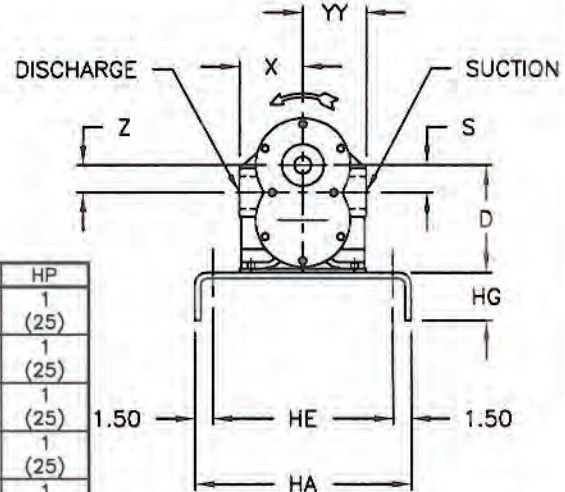
# EDWARDS MODEL 150 PUMPS

DATED APRIL 2009  
 SUPERSEDES PAGE 202  
 DATED MAY 2005

ROTARY GEAR PUMPS  
 ELECTRIC MOTOR DRIVEN ON STANDARD STEEL BASE  
 UPPER DRIVE



VIEW A-A  
 RIGHT HAND  
 ROTATION



VIEW A-A  
 LEFT HAND  
 ROTATION

**NOTES:**

- All dimensions are in inches (mm).
- Dimensions may vary  $\pm .25"$  (6).
- Not for construction purposes unless certified.
- Coupling gap may vary .13"(3) to 2.06"(52).
- Motor dimension "CP" is approximate. Motor dimensions are not specified as they vary with each motor manufacturer.
- Discharge and suction ports are:  
 F-NPT (Female pipe threads)
- Use the following notation for pump identification:  
 UR = UPPER SHAFT - RIGHT HAND ROTATION  
 UL = UPPER SHAFT - LEFT HAND ROTATION

BASE NO.	SIZE	HA	HB	HE	HF	HG	HH	HP
2	12 X 34	12	34	9	32	3	.63	1
		(305)	(864)	(229)	(813)	(76)	(16)	(25)
3	12 X 38	12	38	9	36	3	.63	1
		(305)	(965)	(229)	(914)	(76)	(16)	(25)
4	13 X 42	13	42	10	40	4	.75	1
		(330)	(1067)	(254)	(1016)	(102)	(19)	(25)
5	15 X 44	15	44	12	42	3.38	.75	1
		(381)	(1118)	(305)	(1067)	(86)	(19)	(25)
7	18 X 48	18	48	15	46	4	.75	1
		(457)	(1219)	(381)	(1168)	(102)	(19)	(25)
8	18 X 54	18	54	15	52	4	.75	1
		(457)	(1372)	(381)	(1321)	(102)	(19)	(25)

MODEL	FRAME	182T	184T	213T	215T	254T	256T	284TS	284T	286TS	286T
	C	13	14	16	18	21	23	22	24	24	25
	DM	4.50	4.50	5.25	5.25	6.25	6.25	7.00	7.00	7.00	7.00
150	BASE NO.	2	3	3	4	4	4	5	5	5	5
	D	8.00 (203)	8.00 (203)	8.00 (203)	8.00 (203)	8.00 (203)	8.00 (203)	8.00 (203)	8.00 (203)	8.00 (203)	8.00 (203)

MODEL	FRAME	324TS	324T	326TS	326T	364TS	364T	365TS	365T
	C	25	26	26	28	27	29	28	30
	DM	8.00	8.00	8.00	8.00	9.00	9.00	9.00	9.00
150	BASE NO.	7	7	7	7	8	8	8	8
	D	8.00 (203)	8.00 (203)	8.00 (203)	8.00 (203)	9.00 (229)	9.00 (229)	9.00 (229)	9.00 (229)

MODEL	DISCHARGE	SUCTION	CP	DP	HY	S	W	X	YY	Z
150	2"	2"	17.75	7.61	9.00	2.00	8.88	4.72	4.72	2.00
	F-NPT	F-NPT	(451)	(193)	(229)	(51)	(225)	(120)	(120)	(51)

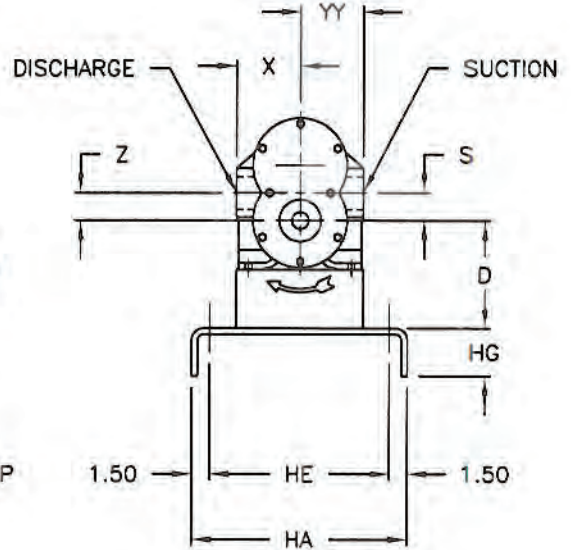
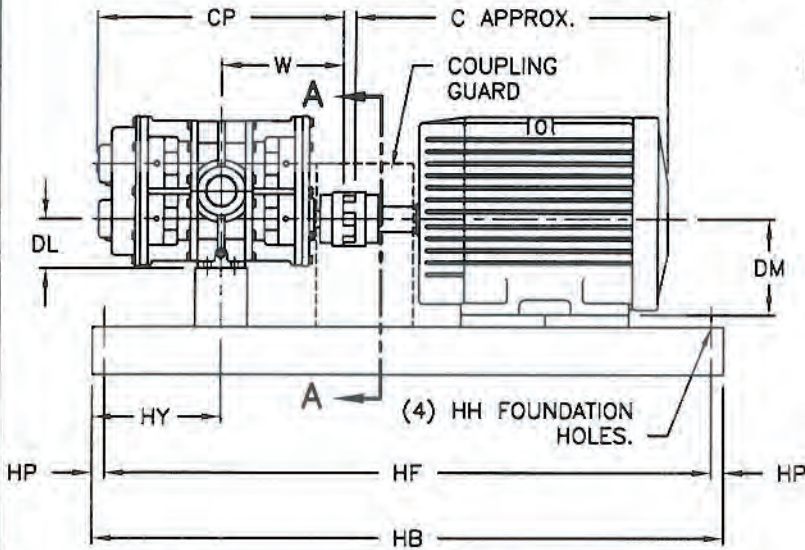
# EDWARDS MODEL 150 PUMPS

## ROTARY GEAR PUMPS ELECTRIC MOTOR DRIVEN ON STANDARD STEEL BASE LOWER DRIVE

DATED **APRIL 2009**

SUPERSEDES PAGE -

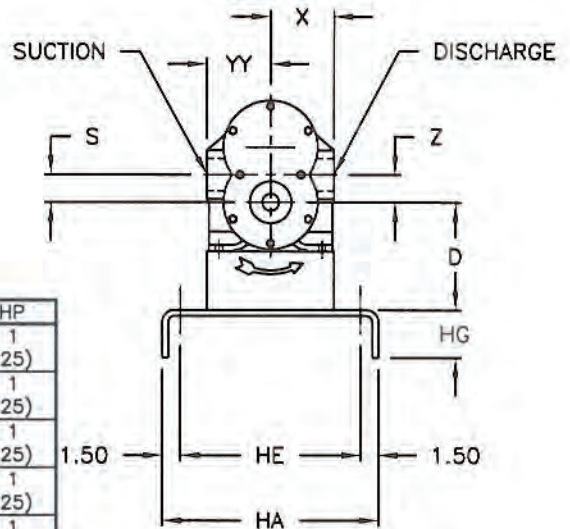
DATED -



**NOTES:**

1. All dimensions are in inches (mm).
2. Dimensions may vary  $\pm .25"$  (6).
3. Not for construction purposes unless certified.
4. Coupling gap may vary .13"(3) to 2.06"(52).
5. Motor dimension "CP" is approximate. Motor dimensions are not specified as they vary with each motor manufacturer.
6. Discharge and suction ports are:  
F-NPT (Female pipe threads)
7. Use the following notation for pump identification:  
LR = LOWER SHAFT - RIGHT HAND ROTATION  
LL = LOWER SHAFT - LEFT HAND ROTATION

**VIEW A-A  
RIGHT HAND  
ROTATION**



**VIEW A-A  
LEFT HAND  
ROTATION**

BASE NO.	SIZE	HA	HB	HE	HF	HG	HH	HP
2	12 X 34	12	34	9	32	3	.63	1
		(305)	(864)	(229)	(813)	(76)	(16)	(25)
3	12 X 38	12	38	9	36	3	.63	1
		(305)	(965)	(229)	(914)	(76)	(16)	(25)
4	13 X 42	13	42	10	40	4	.75	1
		(330)	(1067)	(254)	(1016)	(102)	(19)	(25)
5	15 X 44	15	44	12	42	3.38	.75	1
		(381)	(1118)	(305)	(1067)	(86)	(19)	(25)
7	18 X 48	18	48	15	46	4	.75	1
		(457)	(1219)	(381)	(1168)	(102)	(19)	(25)
8	18 X 54	18	54	15	52	4	.75	1
		(457)	(1372)	(381)	(1321)	(102)	(19)	(25)

MODEL	FRAME	182T	184T	213T	215T	254T	256T	284TS	284T	286TS	286T
	C	13 (330)	14 (356)	16 (406)	18 (457)	21 (533)	23 (584)	22 (559)	24 (610)	24 (610)	24 (610)
	DM	4.50 (114)	4.50 (114)	5.25 (133)	5.25 (133)	6.25 (159)	6.25 (159)	7.00 (178)	7.00 (178)	7.00 (178)	7.00 (178)
150	BASE NO.	2	3	3	4	4	4	5	5	5	5
	D	4.50 (114)	4.50 (114)	5.25 (133)	5.25 (133)	6.25 (159)	6.25 (159)	7.00 (178)	7.00 (178)	7.00 (178)	7.00 (178)

MODEL	FRAME	324TS	324T	326TS	326T	364TS	364T	365TS	365T
	C	25 (635)	26 (660)	26 (660)	28 (711)	27 (686)	29 (737)	28 (711)	30 (762)
	DM	8.00 (203)	8.00 (203)	8.00 (203)	8.00 (203)	9.00 (229)	9.00 (229)	9.00 (229)	9.00 (229)
150	BASE NO.	7	7	7	7	8	8	8	8
	D	8.00 (203)	8.00 (203)	8.00 (203)	8.00 (203)	9.00 (229)	9.00 (229)	9.00 (229)	9.00 (229)

MODEL	DISCHARGE	SUCTION	CP	DL	HY	S	W	X	YY	Z
150	2"	2"	17.75	3.60	9.00	2.00	8.88	4.72	4.72	2.00
	F-NPT	F-NPT	(451)	(91)	(229)	(51)	(225)	(120)	(120)	(51)