

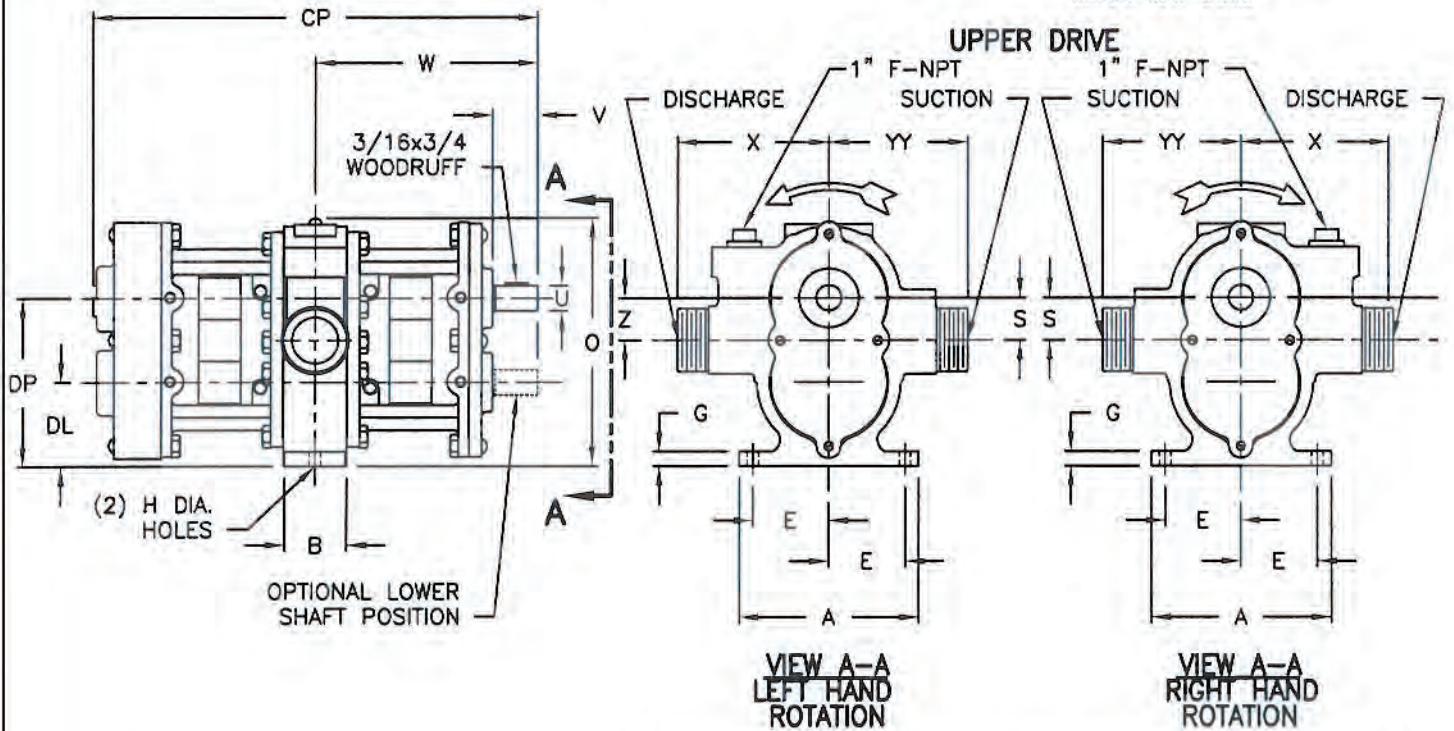
EDWARDS MODEL 20 PUMPS

ROTARY GEAR PUMPS PUMP ONLY

DATED **APRIL 2009**

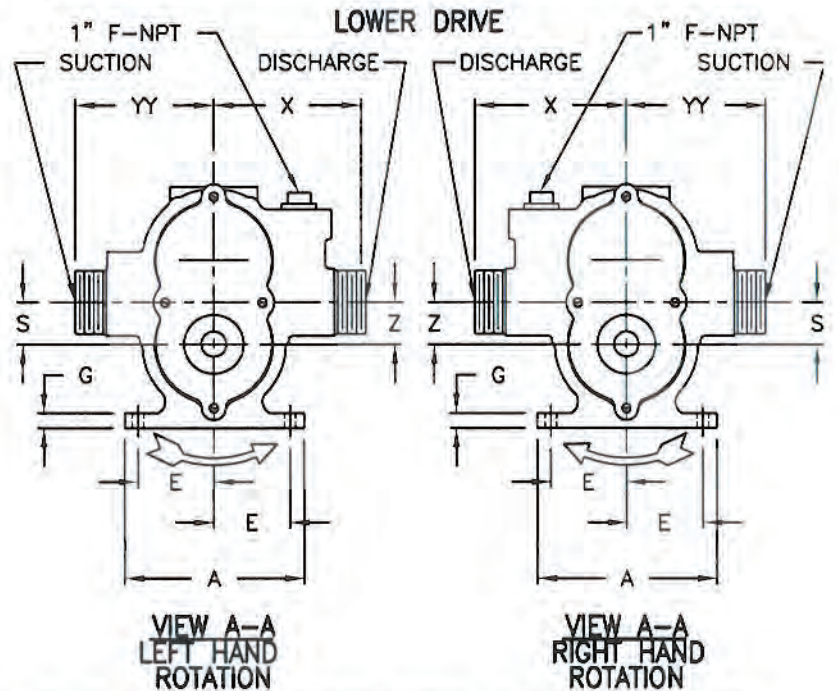
SUPERSEDES PAGE 201

DATED MAY 2005



NOTES:

1. All dimensions are in inches (mm).
2. Dimensions may vary $\pm .25"$ (6).
3. Not for construction purposes unless certified.
4. Discharge and suction ports are:
M-NPT (Male pipe threads)
5. Use the following notation for pump identification:
UR = UPPER SHAFT - RIGHT HAND ROTATION
UL = UPPER SHAFT - LEFT HAND ROTATION
LR = LOWER SHAFT - RIGHT HAND ROTATION
LL = LOWER SHAFT - LEFT HAND ROTATION



MODEL	DISCHARGE	SUCTION	A	B	CP	DL	DP	E	G	H
20	1 1/2" M-NPT	1 1/2" M-NPT	5.63 (143)	1.75 (44)	13.25 (337)	2.50 (64)	5.00 (127)	2.25 (57)	.38 (10)	.38 (10)

MODEL	O	S	U	V	W	X	YY	Z
20	7.25 (184)	1.25 (32)	.75 (19)	1.34 (34)	6.60 (168)	4.50 (114)	4.13 (105)	1.25 (32)



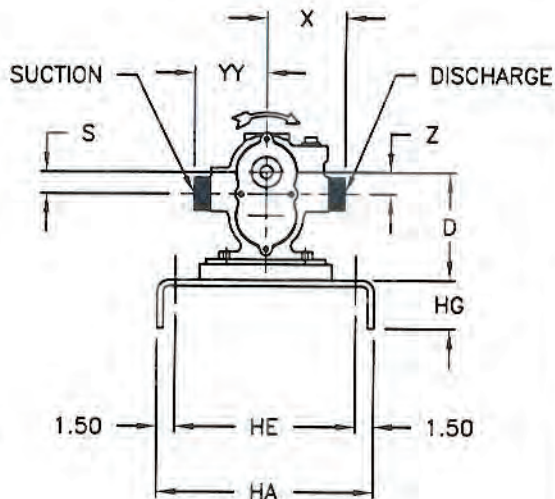
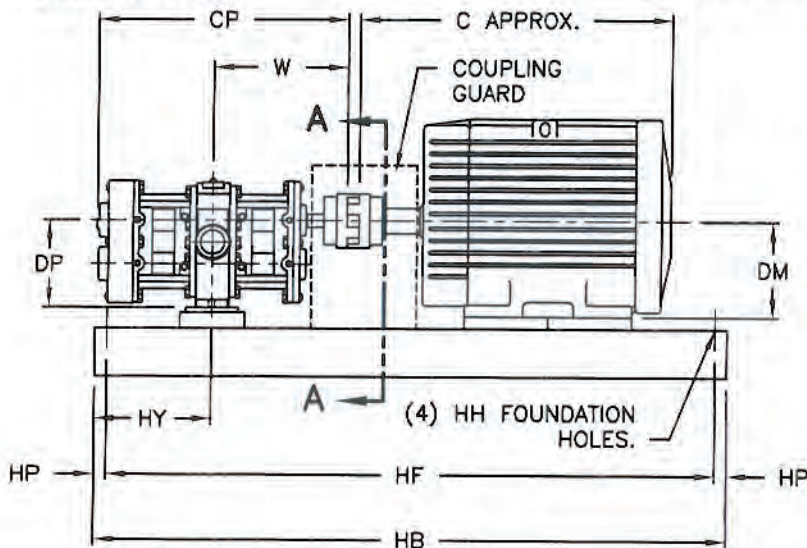
PENTAIR

AURORA® EDWARDS SERIES

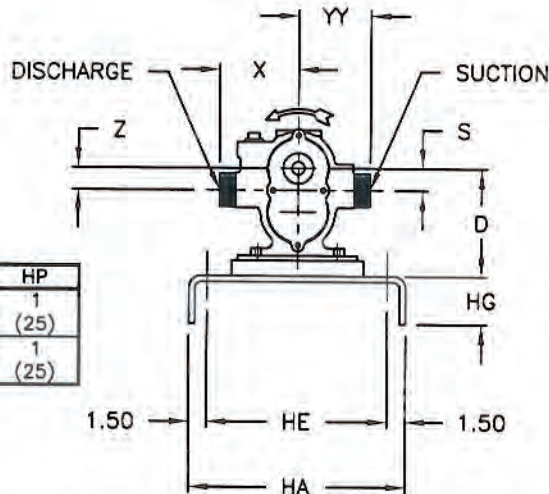
EDWARDS MODEL 20 PUMPS

DATED **APRIL 2009**
 SUPERSEDES PAGE 202
 DATED MAY 2005

ROTARY GEAR PUMPS
 ELECTRIC MOTOR DRIVEN ON STANDARD STEEL BASE
 UPPER DRIVE



**VIEW A-A
 RIGHT HAND
 ROTATION**



**VIEW A-A
 LEFT HAND
 ROTATION**

NOTES:

1. All dimensions are in inches (mm).
2. Dimensions may vary $\pm .25"$ (6).
3. Not for construction purposes unless certified.
4. Coupling gap may vary .13"(3) to 1.00"(25).
5. Motor dimension "CP" is approximate. Motor dimensions are not specified as they vary with each motor manufacturer.
6. Discharge and suction ports are:
 M-NPT (Male pipe threads)
7. Use the following notation for pump identification:
 UR = UPPER SHAFT - RIGHT HAND ROTATION
 UL = UPPER SHAFT - LEFT HAND ROTATION

BASE NO.	SIZE	HA	HB	HE	HF	HG	HH	HP
1	12 X 30	12 (305)	30 (762)	9 (229)	28 (711)	3 (76)	.63 (16)	1 (25)
2	12 X 34	12 (305)	34 (864)	9 (229)	32 (813)	3 (76)	.63 (16)	1 (25)

MODEL	FRAME	143T	145T	182T	184T	213T	215T
	C	13 (330)	13 (330)	13 (330)	14 (356)	16 (406)	18 (457)
	DM	3.50 (89)	3.50 (89)	4.50 (114)	4.50 (114)	5.25 (133)	5.25 (133)
20	BASE NO.	1	1	1	2	2	2
	D	5.00 (127)	5.00 (127)	5.00 (127)	5.00 (127)	5.25 (133)	5.25 (133)

MODEL	DISCHARGE	SUCTION	CP	DP	HY	S	W	X	YY	Z
20	1 1/2" M-NPT	1 1/2" M-NPT	13.25 (337)	5.00 (127)	7.50 (191)	1.25 (32)	6.60 (168)	4.50 (114)	4.13 (105)	1.25 (32)