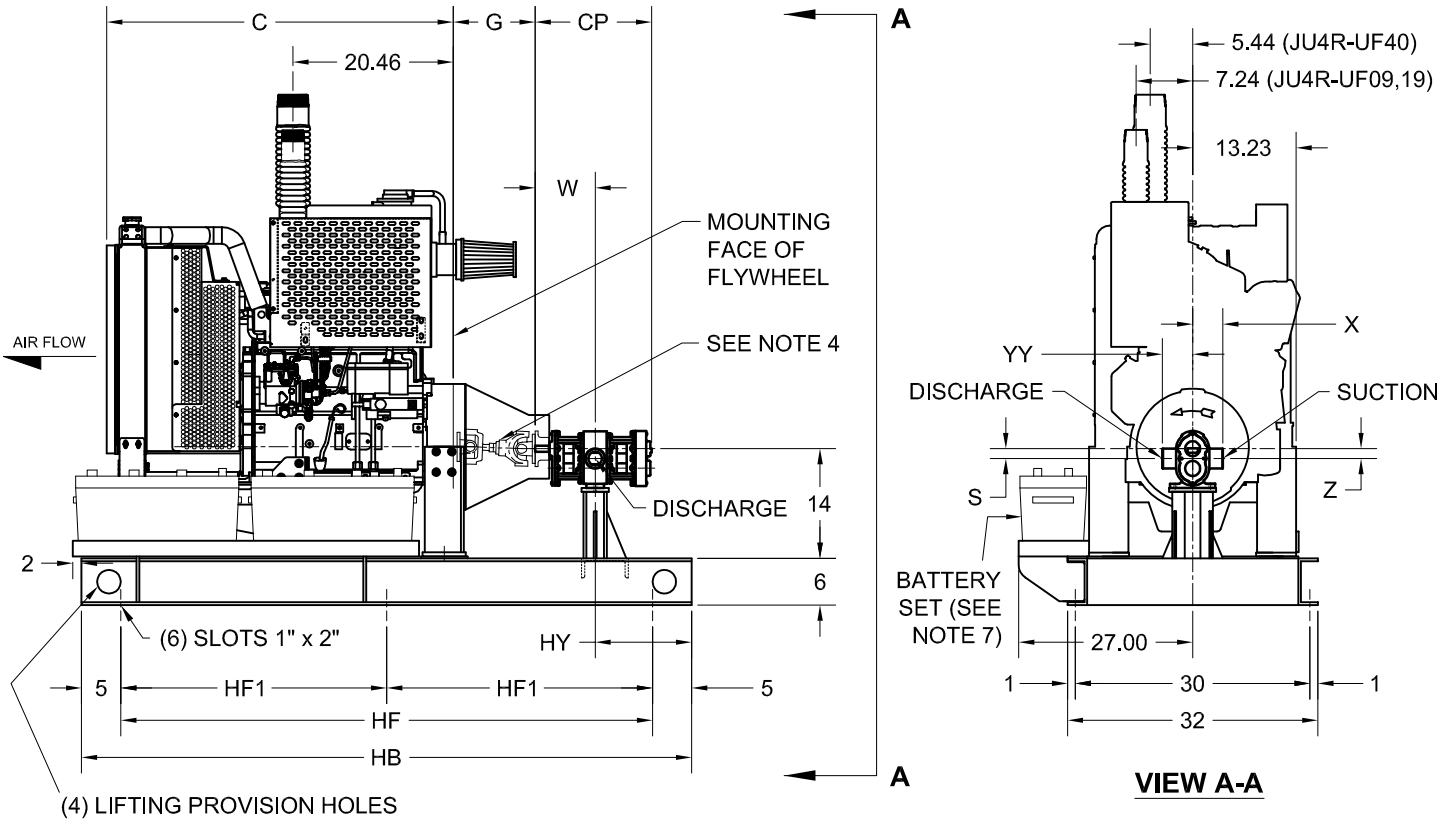


EDWARDS PUMPS

ROTARY GEAR PUMPS (UPPER DRIVE)
PUMP MODELS 20, 80, 150, 160, 300, 400

SECTION EDW PAGE 301

DATED MAR 2010



| MODEL | PUMP SIZE | | S | Z | HY | X | YY | W | CP | HB | HF | HF1 |
|---------|-----------|---------|------|------|-------|------|------|-------|-------|----|----|-----|
| | SUCT * | DISCH * | | | | | | | | | | |
| 20 | 1-1/2 | 1-1/2 | 1.25 | 1.25 | 13.40 | 4.50 | 4.13 | 6.60 | 13.25 | 78 | 68 | 34 |
| 80 | 1-1/2 | 1-1/2 | 1.25 | 1.25 | 12.34 | 3.88 | 3.88 | 7.66 | 14.88 | 78 | 68 | 34 |
| 150 | 2 | 2 | 2.00 | 2.00 | 11.12 | 4.72 | 4.72 | 8.88 | 17.75 | 78 | 68 | 34 |
| 160 | 2 | 2 | 2.00 | 2.00 | 10.12 | 4.72 | 4.72 | 9.88 | 18.75 | 78 | 68 | 34 |
| 300 | 3 | 3 | 2.00 | 2.00 | 8.75 | 4.94 | 4.94 | 10.75 | 20.53 | 78 | 68 | 34 |
| 300-388 | 3 | 3 | 2.00 | 2.00 | 8.75 | 4.94 | 4.94 | 11.25 | 21.53 | 78 | 68 | 34 |
| 400-112 | 4 | 4 | 2.00 | 2.00 | 7.81 | 5.19 | 4.72 | 11.19 | 22.44 | 78 | 68 | 34 |
| 400-128 | 4 | 4 | 2.00 | 2.00 | 7.31 | 5.19 | 5.19 | 11.69 | 23.44 | 78 | 68 | 34 |
| 400-140 | 4 | 4 | 2.00 | 2.00 | 4.37 | 5.19 | 5.19 | 15.63 | 27.88 | 78 | 68 | 34 |

NOTES

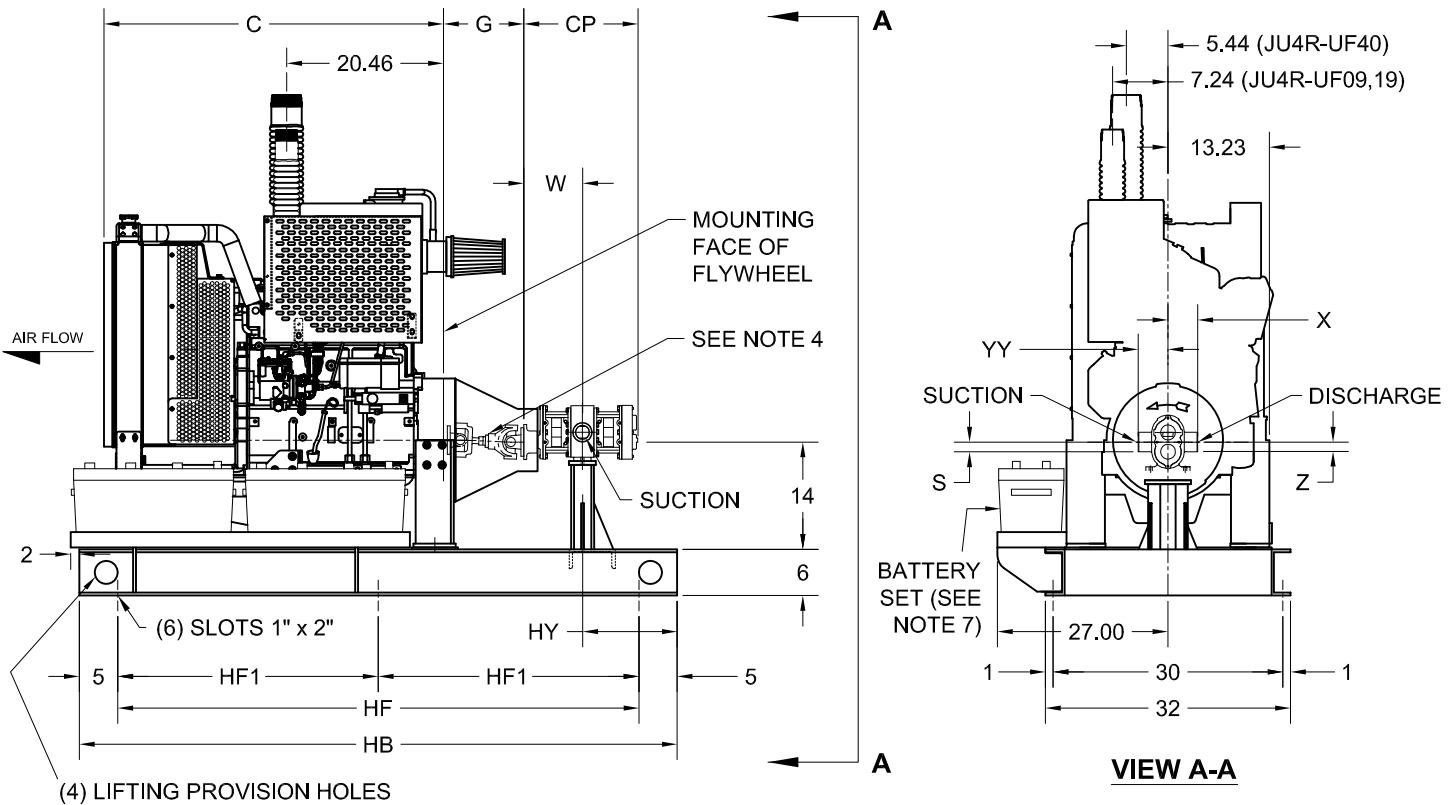
- All dimensions are in inches.
- Dimensions may vary $\pm 3/8"$.
- Not for construction purposes unless certified.
- Caution: The driveshaft is designed to operate at a 2° angle with the input and output shafts in parallel. The engine crankshaft is to be set with a parallel offset of 0.25"±0.08 inches vertically above the pump shaft and 0.00"±0.08 inch parallel offset horizontally right or left of the pump shaft. Refer to the Certified Driveshaft Instructions Manual for alignment instructions.
- Refer to individual engine dimension print for all interface connections.
- Left hand engine rotation not available.
- Two 8D batteries and cables shipped loose.

* - Pump Model 20 uses male-NPT threads.
Pump Models 80, 150, 160, 300 use female-NPT threads.
Pump Model 400 uses 300# ANSI flanges.

| ENGINE MODEL | C | G | UL | LISTED DRIVESHAFTS |
|-----------------------|------|-------|----|--------------------|
| JU4R-UF09 & JU4R-UF19 | 44.3 | 10.00 | UL | CDS10-SC |
| JU4R-UF40 | 44.7 | 10.50 | | CDS20-SC |



AURORA® EDWARDS SERIES



| PUMP SIZE | | | S | Z | HY | X | YY | W | CP | HB | HF | HF1 |
|-----------|--------|---------|------|------|-------|------|------|-------|-------|----|----|-----|
| MODEL | SUCT * | DISCH * | | | | | | | | | | |
| 20 | 1-1/2 | 1-1/2 | 1.25 | 1.25 | 13.40 | 4.50 | 4.13 | 6.60 | 13.25 | 78 | 68 | 34 |
| 80 | 1-1/2 | 1-1/2 | 1.25 | 1.25 | 12.34 | 3.88 | 3.88 | 7.66 | 14.88 | 78 | 68 | 34 |
| 150 | 2 | 2 | 2.00 | 2.00 | 11.12 | 4.72 | 4.72 | 8.88 | 17.75 | 78 | 68 | 34 |
| 160 | 2 | 2 | 2.00 | 2.00 | 10.12 | 4.72 | 4.72 | 9.88 | 18.75 | 78 | 68 | 34 |
| 300 | 3 | 3 | 2.00 | 2.00 | 8.75 | 4.94 | 4.94 | 10.75 | 20.53 | 78 | 68 | 34 |
| 300-388 | 3 | 3 | 2.00 | 2.00 | 8.75 | 4.94 | 4.94 | 11.25 | 21.53 | 78 | 68 | 34 |
| 400-112 | 4 | 4 | 2.00 | 2.00 | 7.81 | 5.19 | 4.72 | 11.19 | 22.44 | 78 | 68 | 34 |
| 400-128 | 4 | 4 | 2.00 | 2.00 | 7.31 | 5.19 | 5.19 | 11.69 | 23.44 | 78 | 68 | 34 |
| 400-140 | 4 | 4 | 2.00 | 2.00 | 4.37 | 5.19 | 5.19 | 15.63 | 27.88 | 78 | 68 | 34 |

NOTES

- All dimensions are in inches.
- Dimensions may vary $\pm 3/8"$.
- Not for construction purposes unless certified.
- Caution: The driveshaft is designed to operate at a 2° angle with the input and output shafts in parallel. The engine crankshaft is to be set with a parallel offset of 0.25"±0.08 inches vertically above the pump shaft and 0.00"±0.08 inch parallel offset horizontally right or left of the pump shaft. Refer to the Certified Driveshaft Instructions Manual for alignment instructions.
- Refer to individual engine dimension print for all interface connections.
- Left hand engine rotation not available.
- Two 8D batteries and cables shipped loose.

* - Pump Model 20 uses male-NPT threads.
 Pump Models 80, 150, 160, 300 use female-NPT threads.
 Pump Model 400 uses 300# ANSI flanges.

| ENGINE MODEL | C | G | UL | LISTED DRIVESHAFTS |
|-----------------------|------|-------|----|--------------------|
| JU4R-UF09 & JU4R-UF19 | 44.3 | 10.00 | UL | CDS10-SC |
| JU4R-UF40 | 44.7 | 10.50 | | CDS20-SC |