

EDWARDS MODEL 80 PUMPS

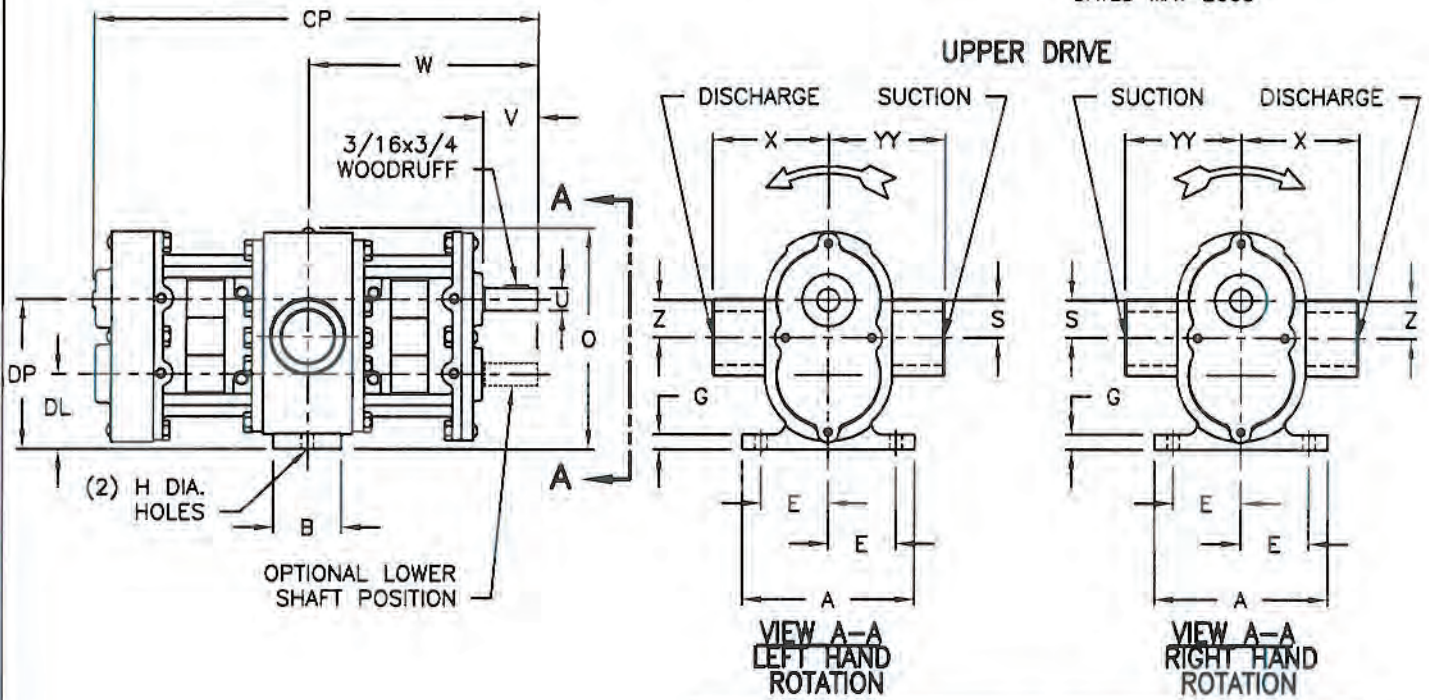
ROTARY GEAR PUMPS
PUMP ONLY

SECTION 80 PAGE 201

DATED APRIL 2009

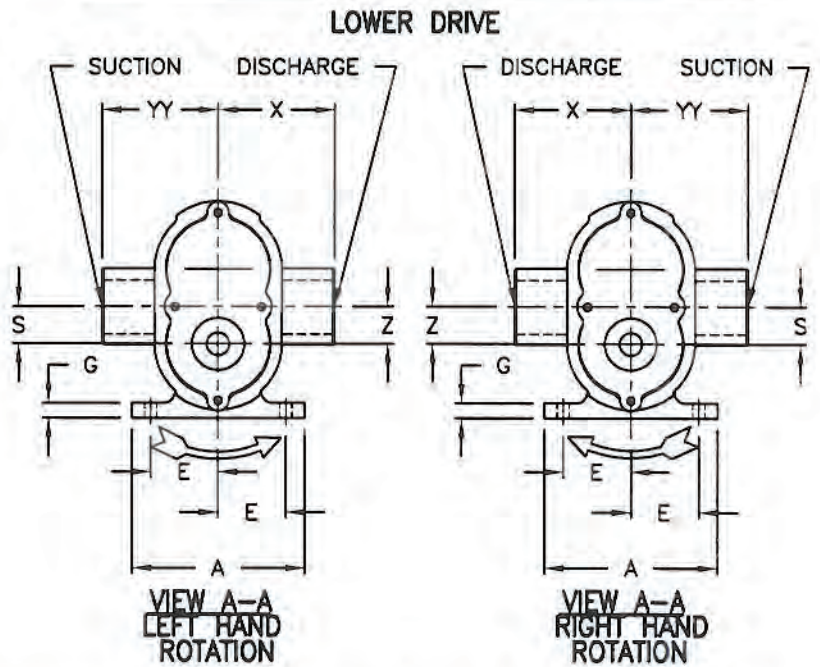
SUPERSEDES PAGE 201

DATED MAY 2005



NOTES:

1. All dimensions are in inches (mm).
2. Dimensions may vary $\pm .25"$ (6).
3. Not for construction purposes unless certified.
4. Discharge and suction ports are:
F-NPT (Female pipe threads)
5. Use the following notation for pump identification:
UR = UPPER SHAFT - RIGHT HAND ROTATION
UL = UPPER SHAFT - LEFT HAND ROTATION
LR = LOWER SHAFT - RIGHT HAND ROTATION
LL = LOWER SHAFT - LEFT HAND ROTATION



MODEL	DISCHARGE	SUCTION	A	B	CP	DL	DP	E	G	H
80	1 1/2" F-NPT	1 1/2" F-NPT	5.75 (146)	2.25 (57)	14.88 (378)	2.50 (64)	5.00 (127)	2.25 (57)	.50 (13)	.38 (10)

MODEL	O	S	U	V	W	X	YY	Z
80	7.25 (32)	1.25 (32)	.75 (19)	1.84 (47)	7.66 (195)	3.88 (99)	3.88 (99)	1.25 (32)



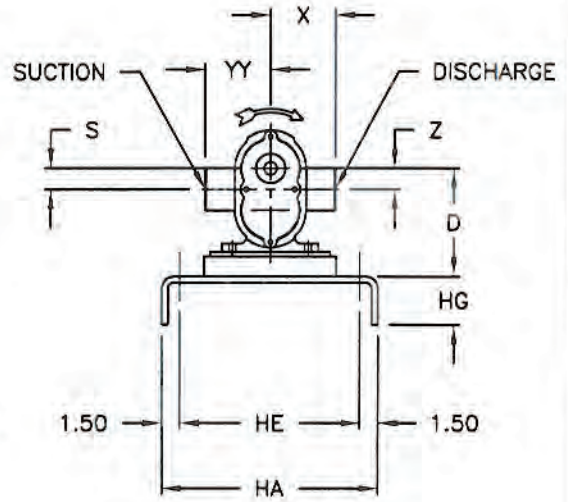
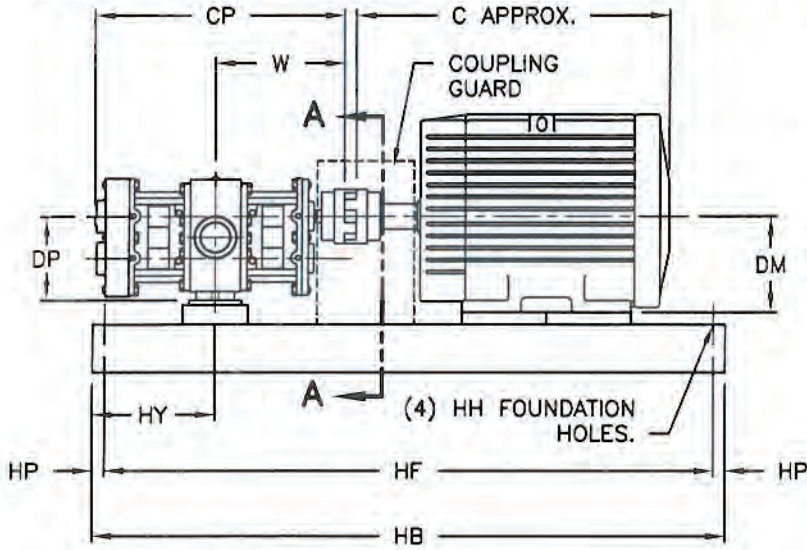
PENTAIR

AURORA® EDWARDS SERIES

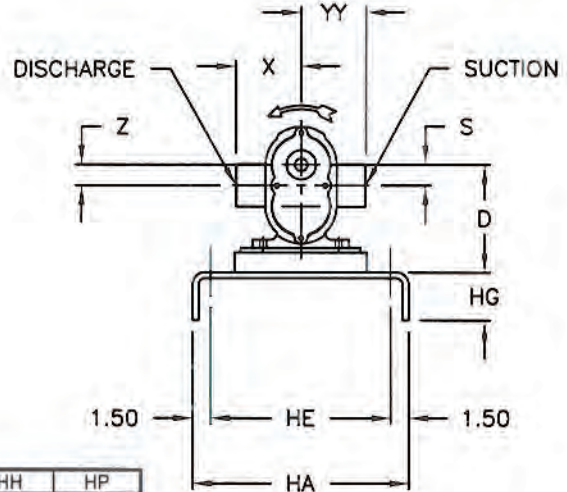
EDWARDS MODEL 80 PUMPS

DATED APRIL 2009
 SUPERSEDES PAGE 202
 DATED MAY 2005

ROTARY GEAR PUMPS
 ELECTRIC MOTOR DRIVEN ON STANDARD STEEL BASE
 UPPER DRIVE



VIEW A-A
 RIGHT HAND
 ROTATION



VIEW A-A
 LEFT HAND
 ROTATION

NOTES:

1. All dimensions are in inches (mm).
2. Dimensions may vary $\pm .25"$ (6).
3. Not for construction purposes unless certified.
4. Coupling gap may vary .13"(3) to 1.13"(29).
5. Motor dimension "CP" is approximate. Motor dimensions are not specified as they vary with each motor manufacturer.
6. Discharge and suction ports are:
 F-NPT (Female pipe threads)
7. Use the following notation for pump identification:
 UR = UPPER SHAFT - RIGHT HAND ROTATION
 UL = UPPER SHAFT - LEFT HAND ROTATION

BASE NO.	SIZE	HA	HB	HE	HF	HG	HH	HP
2	12 X 34	12	34	9	32	3	.63	1
		(305)	(864)	(229)	(813)	(76)	(16)	(25)
3	12 X 38	12	38	9	36	3	.63	1
		(305)	(965)	(229)	(914)	(76)	(16)	(25)
4	13 X 42	13	42	10	40	4	.75	1
		(330)	(1067)	(254)	(1016)	(102)	(19)	(25)

MODEL	FRAME	145T	182T	184T	213T	215T	254T	256T
	C	13 (330)	13 (330)	14 (356)	16 (406)	18 (457)	21 (533)	23 (584)
	DM	3.50 (89)	4.50 (114)	4.50 (114)	5.25 (133)	5.25 (133)	6.25 (159)	6.25 (159)
80	BASE NO.	2	2	2	2	3	4	4
	D	5.00 (127)	5.00 (127)	5.00 (127)	5.25 (133)	5.25 (133)	6.25 (159)	6.25 (159)

MODEL	DISCHARGE	SUCTION	CP	DP	HY	S	W	X	YY	Z
80	1 1/2" F-NPT	1 1/2" F-NPT	14.88 (378)	5.00 (127)	7.50 (191)	1.25 (32)	7.66 (194)	3.88 (98)	3.88 (98)	1.25 (32)

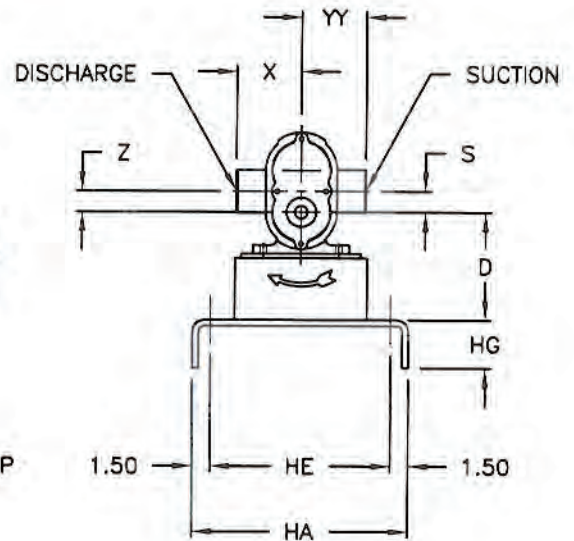
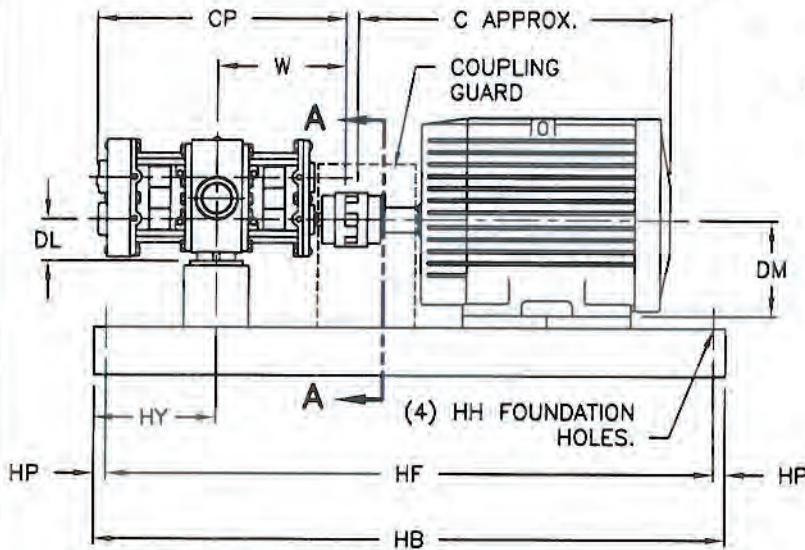
EDWARDS MODEL 80 PUMPS

ROTARY GEAR PUMPS ELECTRIC MOTOR DRIVEN ON STANDARD STEEL BASE LOWER DRIVE

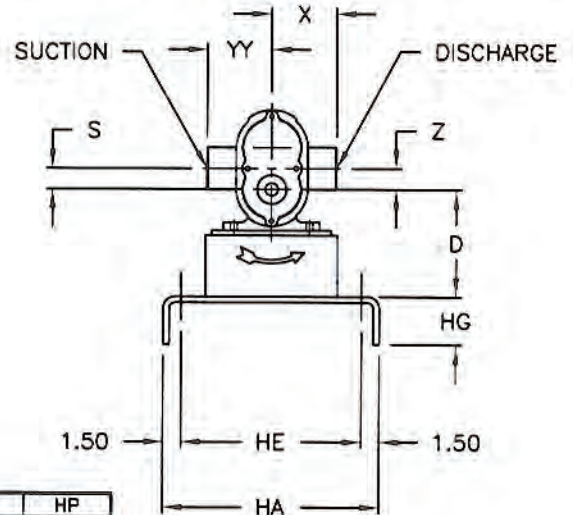
DATED APRIL 2009

SUPERSEDES PAGE -

DATED -



VIEW A-A
RIGHT HAND
ROTATION



VIEW A-A
LEFT HAND
ROTATION

NOTES:

1. All dimensions are in inches (mm).
2. Dimensions may vary $\pm .25"$ (6).
3. Not for construction purposes unless certified.
4. Coupling gap may vary .13"(3) to 1.13"(29).
5. Motor dimension "CP" is approximate. Motor dimensions are not specified as they vary with each motor manufacturer.
6. Discharge and suction ports are:
F-NPT (Female pipe threads)
7. Use the following notation for pump identification:
LR = LOWER SHAFT - RIGHT HAND ROTATION
LL = LOWER SHAFT - LEFT HAND ROTATION

BASE NO.	SIZE	HA	HB	HE	HF	HG	HH	HP
2	12 X 34	12	34	9	32	3	.63	1
		(305)	(864)	(229)	(813)	(76)	(16)	(25)
3	12 X 38	12	38	9	36	3	.63	1
		(305)	(965)	(229)	(914)	(76)	(16)	(25)
4	13 X 42	13	42	10	40	4	.75	1
		(330)	(1067)	(254)	(1016)	(102)	(19)	(25)

MODEL	FRAME	145T	182T	184T	213T	215T	254T	256T
	C	13 (330)	13 (330)	14 (356)	16 (406)	18 (457)	21 (533)	23 (584)
	DM	3.50 (89)	4.50 (114)	4.50 (114)	5.25 (133)	5.25 (133)	6.25 (159)	6.25 (159)
80	BASE NO.	2	2	2	2	3	4	4
	D	3.50 (89)	4.50 (114)	4.50 (114)	5.25 (133)	5.25 (133)	6.25 (159)	6.25 (159)

MODEL	DISCHARGE	SUCTION	CP	DL	HY	S	W	X	YY	Z
80	1 1/2"	1 1/2"	14.88	2.50	7.50	1.25	7.66	3.88	3.88	1.25
	F-NPT	F-NPT	(378)	(64)	(191)	(32)	(194)	(98)	(98)	(32)