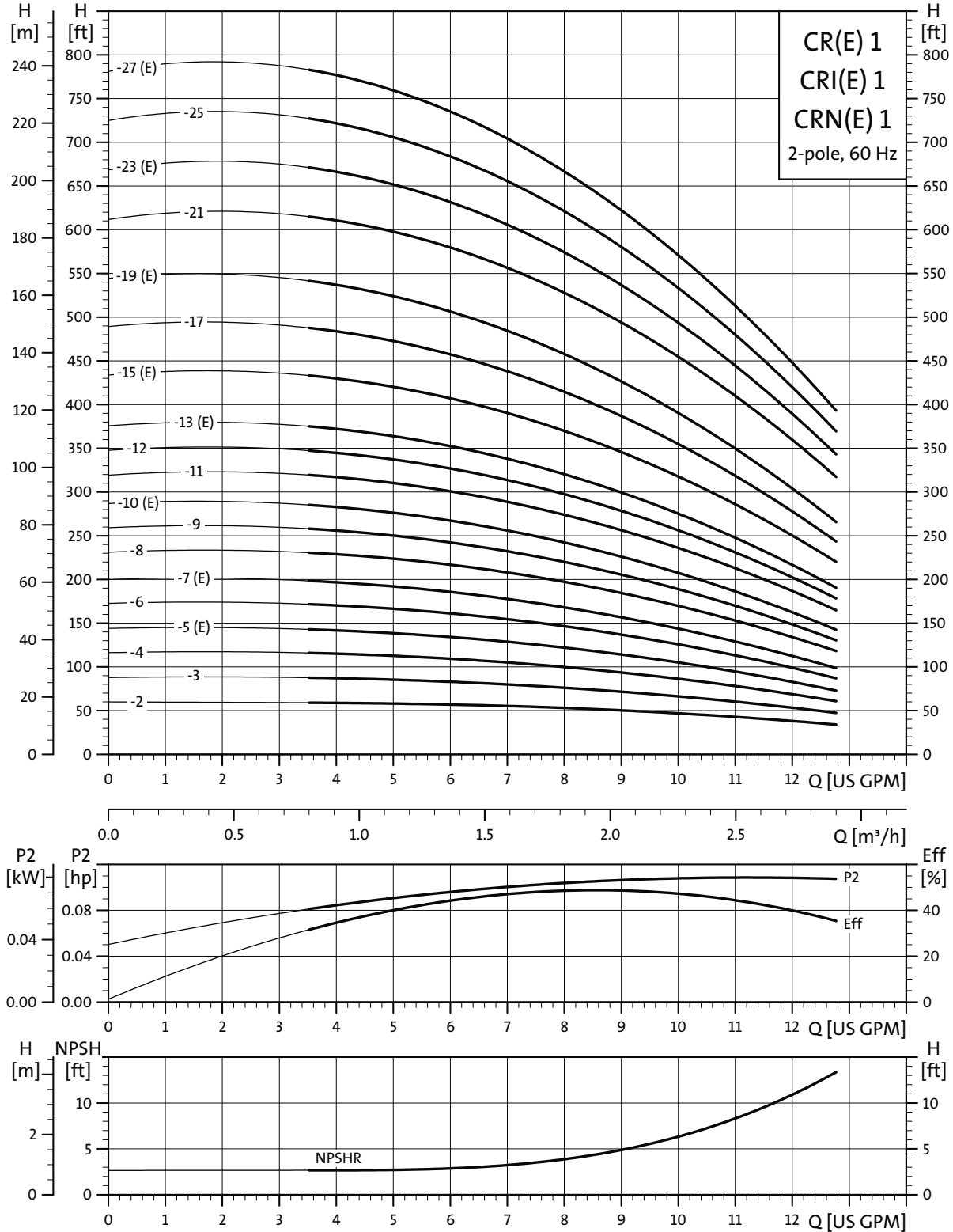
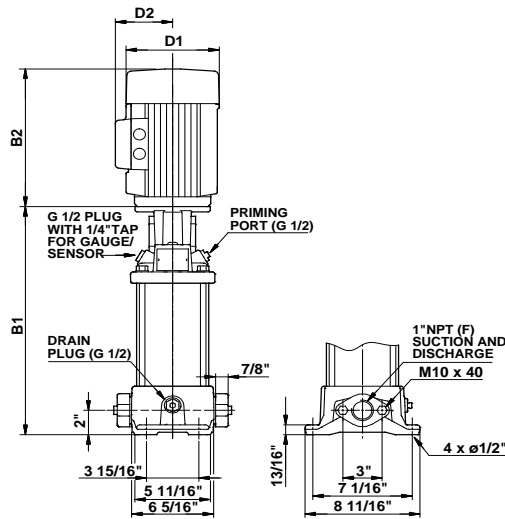


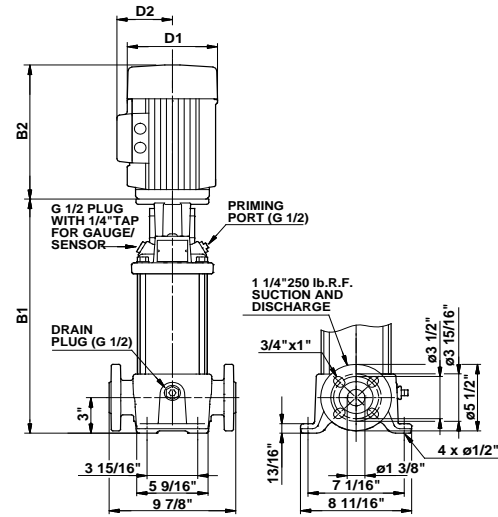
## CR(E), CRI(E), CRN(E) 1



TM02 4083 1303



TM03 1450 2205



TM03 1451 2205

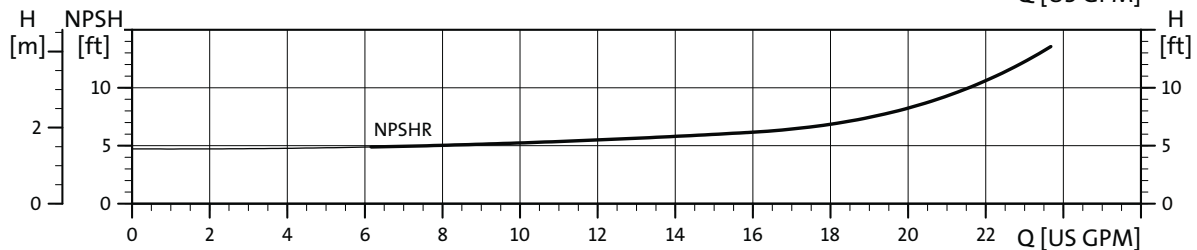
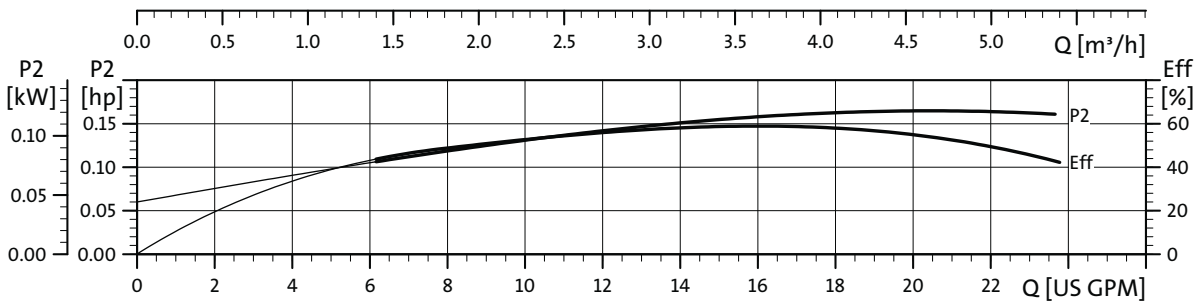
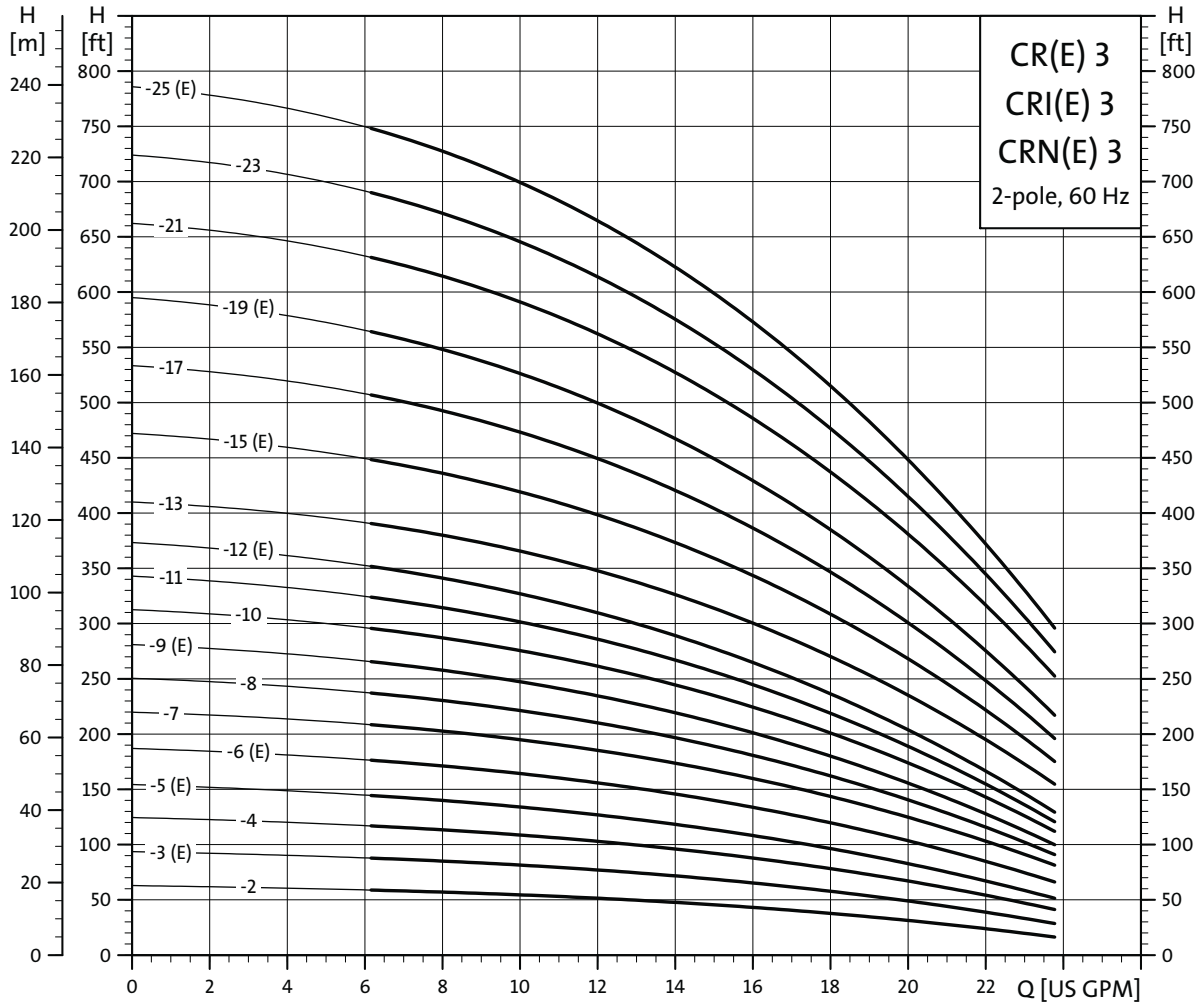
Pump type	P2 [hp]	Ph.	Oval*	ANSI dimensions [inch]				Ship Wt. [lbs.]	ANSI dimensions [inch]			
				B1	TEFC				MLE			Ship Wt. [lbs.]
					D1	D2	B1+B2		D1	D2	B1+B2	
CR 1-2	1/3	1	•	11.97	6.19	5.18	21.26	69	-	-	-	-
		3	•	11.97	5.55	4.57	19.41	67	-	-	-	-
CR 1-3	1/3	1	•	11.97	6.19	5.18	21.26	69	-	-	-	-
		3	•	11.97	5.55	4.57	19.41	67	-	-	-	-
CR 1-4	1/2	1	•	12.68	6.19	5.18	21.97	73	5.55	5.51	20.10	71
		3	•	12.68	5.55	4.57	20.12	68	-	-	-	-
CR(E) 1-5	1/2	1	•	13.39	6.19	5.18	22.68	75	-	-	-	-
		3	•	13.39	5.55	4.57	20.83	69	-	-	-	-
CR 1-6	3/4	1	•	14.09	6.19	5.18	24.00	80	5.55	5.51	21.51	74
		3	•	14.09	5.55	4.57	21.53	71	-	-	-	-
CR(E) 1-7	3/4	1	•	14.80	6.19	5.18	24.71	81	-	-	-	-
		3	•	14.80	5.55	4.57	22.24	72	-	-	-	-
CR 1-8	1	1	•	15.51	7.19	5.73	26.70	93	-	-	-	-
		3	•	15.51	5.55	4.57	22.95	72	-	-	-	-
CR 1-9	1	1	•	16.22	7.19	5.73	27.41	94	5.55	5.51	25.20	79
		3	•	16.22	5.55	4.57	23.66	74	7.01	6.57	29.02	96
CR(E) 1-10	1 1/2	1	•	16.93	7.19	5.73	28.61	95	-	-	-	-
		3	•	16.93	5.55	4.57	25.55	74	7.01	6.57	29.73	99
CR 1-11	1 1/2	1	•	17.64	7.19	5.73	29.32	102	-	-	-	-
		3	•	17.64	5.55	4.57	26.26	76	-	-	-	-
CR 1-12	1 1/2	1	•	18.35	7.19	5.73	30.03	103	-	-	-	-
		3	•	18.35	5.55	4.57	26.97	77	-	-	-	-
CR(E) 1-13	1 1/2	1	•	19.06	7.19	5.73	30.74	104	5.55	5.51	28.04	86
		3	•	19.06	5.55	4.57	27.68	78	7.01	6.57	31.86	102
CR(E) 1-15	2	1	•	20.47	7.19	5.73	33.03	114	-	-	-	-
		3	•	20.47	7.01	4.33	31.69	104	7.01	6.57	33.27	117
CR 1-17	2	1	•	21.89	7.19	5.73	34.45	116	-	-	-	-
		3	•	21.89	7.01	4.33	33.11	106	7.01	6.57	34.69	119
CR(E) 1-19	3	1	-	24.41	8.60	6.87	39.06	155	-	-	-	-
		3	-	24.41	7.01	4.33	37.64	123	-	-	-	-
CR 1-21	3	1	-	25.83	8.60	6.87	40.48	158	-	-	-	-
		3	-	25.83	7.01	4.33	39.06	125	-	-	-	-
CR(E) 1-23	3	1	-	27.24	8.60	6.87	41.89	159	-	-	-	-
		3	-	27.24	7.01	4.33	40.47	130	7.01	6.57	40.55	139
CR 1-25	3	1	-	28.66	8.60	6.87	43.31	161	-	-	-	-
		3	-	28.66	7.01	4.33	41.89	132	-	-	-	-
CR(E) 1-27	3	1	-	30.08	8.60	6.87	44.73	163	-	-	-	-
		3	-	30.08	7.01	4.33	43.31	134	7.01	6.57	43.39	142

All dimensions in inches unless otherwise noted.

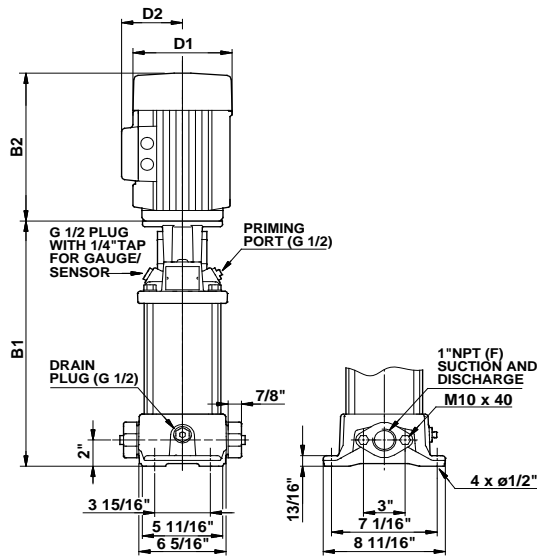
\*Oval flanged pump B1 and B1+B2 dimension is one inch less than ANSI flanged pump and weight is approximately 9 lbs. less.

• Available.

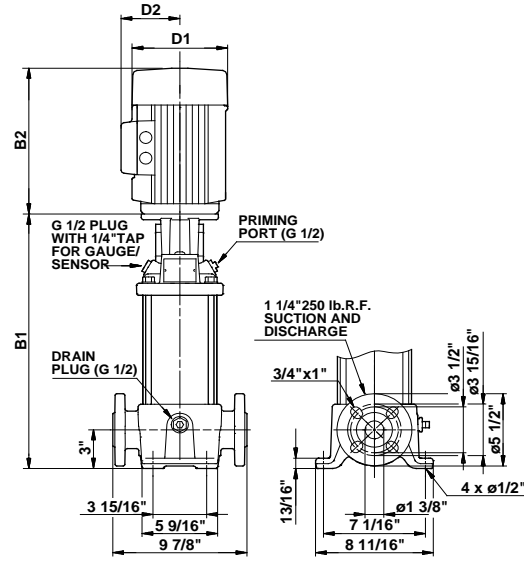
## CR(E), CRI(E), CRN(E) 3



TM02 4084 1303



TM03 1450 2205



TM03 1451 2205

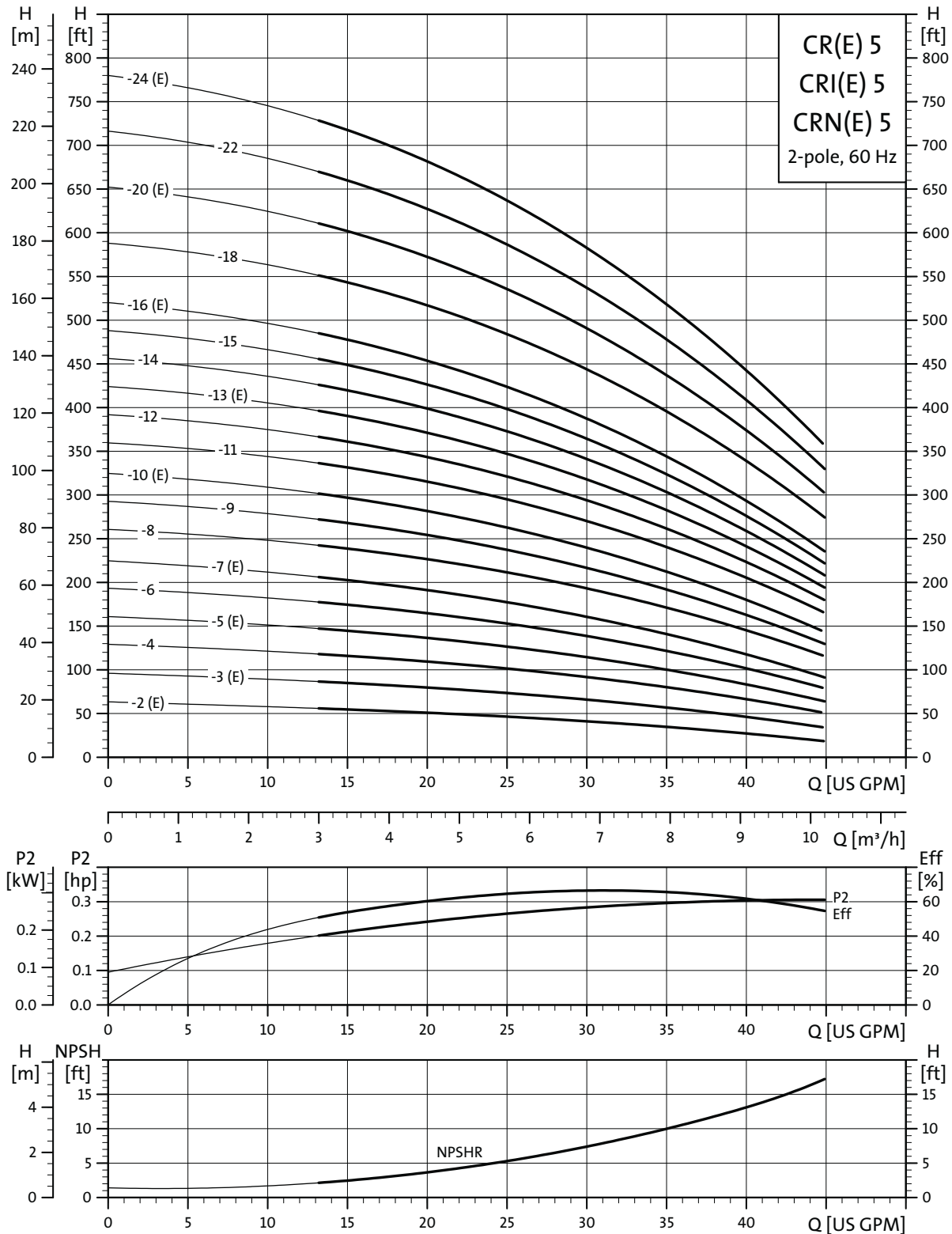
Pump type	P2 [hp]	Ph.	Oval*	ANSI dimensions [inch]					Ship Wt. [lbs.]	ANSI dimensions [inch]			
				B1	TEFC			MLE			Ship Wt. [lbs.]		
					D1	D2	B1+B2	D1		D2		B1+B2	
CR 3-2	1/3	1	•	11.97	6.19	5.18	21.26	69	5.55	5.51	19.39	69	
		3	•	11.97	5.55	4.57	19.41	67	-	-	-	-	
CR(E) 3-3	1/2	1	•	11.97	6.19	5.18	21.26	73	-	-	-	-	
		3	•	11.97	5.55	4.57	19.41	67	-	-	-	-	
CR 3-4	3/4	1	•	12.68	6.19	5.18	22.59	78	5.55	5.51	20.10	72	
		3	•	12.68	5.55	4.57	20.12	69	-	-	-	-	
CR(E) 3-5	3/4	1	•	13.39	6.19	5.18	23.30	79	5.55	5.51	22.37	73	
		3	•	13.39	5.55	4.57	20.83	70	-	-	-	-	
CR(E) 3-6	1	1	•	14.09	7.19	5.73	25.28	91	-	-	-	-	
		3	•	14.09	5.55	4.57	21.53	71	7.01	6.57	26.89	90	
CR 3-7	1 1/2	1	•	14.80	7.19	5.73	26.48	95	-	-	-	-	
		3	•	14.80	5.55	4.57	23.42	72	-	-	-	-	
CR 3-8	1 1/2	1	•	15.51	7.19	5.73	27.19	96	5.55	5.51	24.49	81	
		3	•	15.51	5.55	4.57	24.13	73	-	-	-	-	
CR(E) 3-9	1 1/2	1	•	16.22	7.19	5.73	27.90	97	-	-	-	-	
		3	•	16.22	5.55	4.57	24.84	74	7.01	6.57	29.02	99	
CR 3-10	2	1	•	16.93	7.19	5.73	29.49	109	-	-	-	-	
		3	•	16.93	7.01	4.33	28.15	96	-	-	-	-	
CR 3-11	2	1	•	17.64	7.19	5.73	30.20	110	-	-	-	-	
		3	•	17.64	7.01	4.33	28.86	101	-	-	-	-	
CR(E) 3-12	2	1	•	18.35	7.19	5.73	30.91	111	-	-	-	-	
		3	•	18.35	7.01	4.33	29.57	102	7.01	6.57	31.15	115	
CR 3-13	3	1	•	20.16	8.60	6.87	34.81	147	-	-	-	-	
		3	•	20.16	7.01	4.33	33.39	118	-	-	-	-	
CR(E) 3-15	3	1	•	21.57	8.60	6.87	36.22	149	-	-	-	-	
		3	•	21.57	7.01	4.33	34.80	120	7.01	6.57	34.88	128	
CR 3-17	3	1	•	22.99	8.60	6.87	37.64	150	-	-	-	-	
		3	•	22.99	7.01	4.33	36.22	121	7.01	6.57	36.30	130	
CR(E) 3-19	5	1	-	24.41	10.62	7.46	39.93	179	-	-	-	-	
		3	-	24.41	8.66	5.28	39.92	175	-	-	-	-	
CR 3-21	5	1	-	25.83	10.62	7.46	41.35	181	-	-	-	-	
		3	-	25.83	8.66	5.28	41.34	177	-	-	-	-	
CR 3-23	5	1	-	27.24	10.62	7.46	42.76	182	-	-	-	-	
		3	-	27.24	8.66	5.28	42.75	179	-	-	-	-	
CR(E) 3-25	5	1	-	28.66	10.62	7.46	44.18	184	-	-	-	-	
		3	-	28.66	8.66	5.28	44.17	181	8.66	7.40	44.17	172	

All dimensions in inches unless otherwise noted.

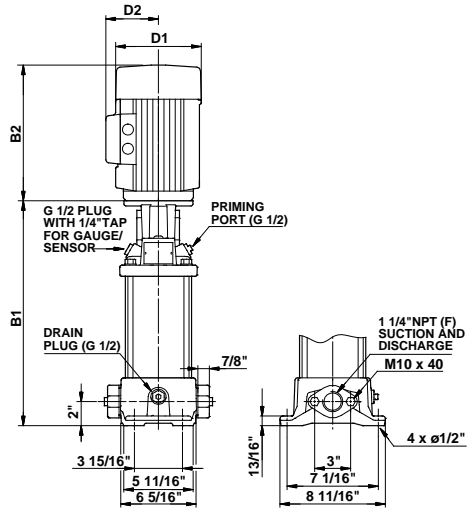
\*Oval flanged pump B1 and B1+B2 dimension is one inch less than ANSI flanged pump and weight is approximately 9 lbs. less.

• Available.

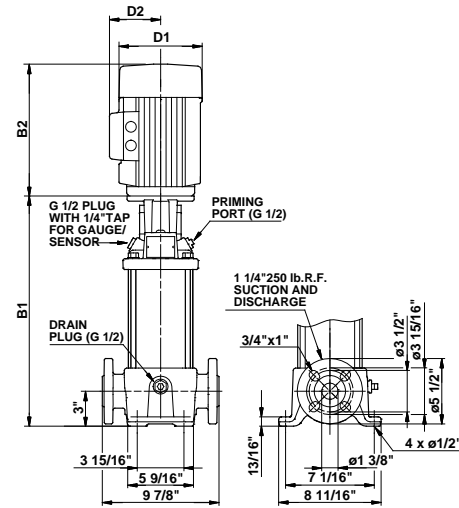
## CR(E), CRI(E), CRN(E) 5



TM02 4085 1303



TM03 1455 2205



TM03 1451 2205

Pump type	P2 [hp]	Ph.	Oval*	ANSI dimensions [inch]				Ship Wt. [lbs.]	ANSI dimensions [inch]			
				B1	TEFC				MLE			Ship Wt. [lbs.]
					D1	D2	B1+B2		D1	D2	B1+B2	
CR(E) 5-2	3/4	1	•	11.97	6.19	5.18	21.88	77	5.55	5.51	19.39	71
		3	•	11.97	5.55	4.57	19.41	68	-	-	-	-
CR(E) 5-3	1	1	•	13.03	7.19	5.73	24.22	90	7.01	6.57	25.83	88
		3	•	13.03	5.55	4.57	20.47	69	5.55	5.51	23.07	79
CR 5-4	1 1/2	1	•	14.09	7.19	5.73	25.77	94	7.01	6.57	26.89	92
		3	•	14.09	5.55	4.57	22.71	71	-	-	-	-
CR(E) 5-5	2	1	•	15.16	7.19	5.73	27.72	106	-	-	-	-
		3	•	15.16	7.01	4.33	26.38	93	-	-	-	-
CR 5-6	2	1	•	16.22	7.19	5.73	28.78	108	-	-	-	-
		3	•	16.22	7.01	4.33	27.44	95	7.01	6.57	29.02	111
CR(E) 5-7	3	1	•	18.39	8.60	6.87	33.04	143	-	-	-	-
		3	•	18.39	7.01	4.33	31.62	114	-	-	-	-
CR 5-8	3	1	•	19.45	8.60	6.87	34.10	145	-	-	-	-
		3	•	19.45	7.01	4.33	32.68	116	-	-	-	-
CR 5-9	3	1	•	20.51	8.60	6.87	35.16	147	-	-	-	-
		3	•	20.51	7.01	4.33	33.74	118	7.01	6.57	33.82	126
CR(E) 5-10	5	1	•	21.57	10.62	7.46	37.09	170	-	-	-	-
		3	•	21.57	8.66	5.28	37.08	168	-	-	-	-
CR 5-11	5	1	•	22.64	10.62	7.46	38.16	172	-	-	-	-
		3	•	22.64	8.66	5.28	38.15	169	-	-	-	-
CR 5-12	5	1	•	23.70	10.62	7.46	39.22	177	-	-	-	-
		3	•	23.70	8.66	5.28	39.21	170	-	-	-	-
CR(E) 5-13	5	1	•	24.76	10.62	7.46	40.28	178	8.66	7.40	40.27	166
		3	•	24.76	8.66	5.28	40.27	171	-	-	-	-
CR 5-14	5	1	•	25.83	10.62	7.46	41.35	180	-	-	-	-
		3	•	25.83	8.66	5.28	41.34	176	-	-	-	-
CR 5-15	5	1	•	26.89	10.62	7.46	42.41	181	8.66	7.40	42.40	169
		3	•	26.89	8.66	5.28	42.40	177	-	-	-	-
CR(E) 5-16	5	1	•	27.95	10.62	7.46	43.47	182	-	-	-	-
		3	•	27.95	8.66	5.28	43.46	178	8.66	7.40	43.46	170
CR 5-18	7 1/2	1	-	30.59	10.22	7.62	46.12	200	-	-	-	-
		3	-	30.59	8.66	5.28	46.10	188	-	-	-	-
CR(E) 5-20	7 1/2	1	-	32.72	10.22	7.62	48.25	203	-	-	-	-
		3	-	32.72	8.66	5.28	48.23	190	8.66	7.40	48.23	204
CR 5-22	7 1/2	1	-	34.84	10.22	7.62	50.37	300	-	-	-	-
		3	-	34.84	8.66	5.28	50.35	287	-	-	-	-
CR(E) 5-24	7 1/2	1	-	36.97	10.22	7.62	52.50	302	-	-	-	-
		3	-	36.97	8.66	5.28	52.48	290	8.66	7.40	52.48	303

All dimensions in inches unless otherwise noted.

\*Oval flanged pump B1 and B1+B2 dimension is one inch less than ANSI flanged pumps and weight is approximately 9 lbs. less.

• Available.