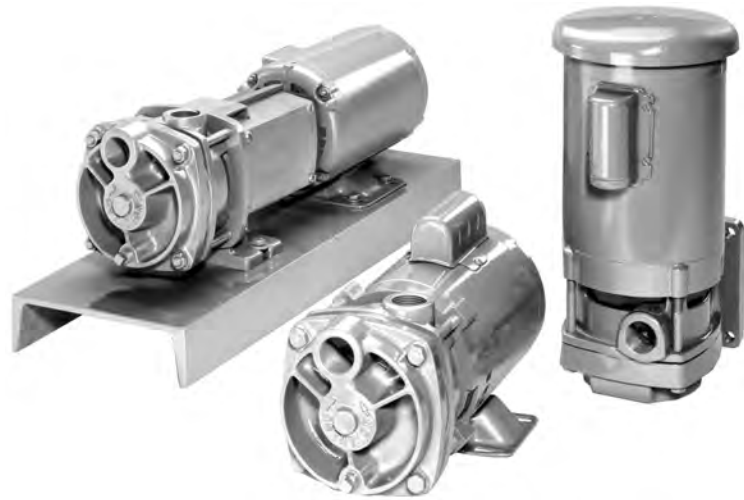


MTH PUMPS

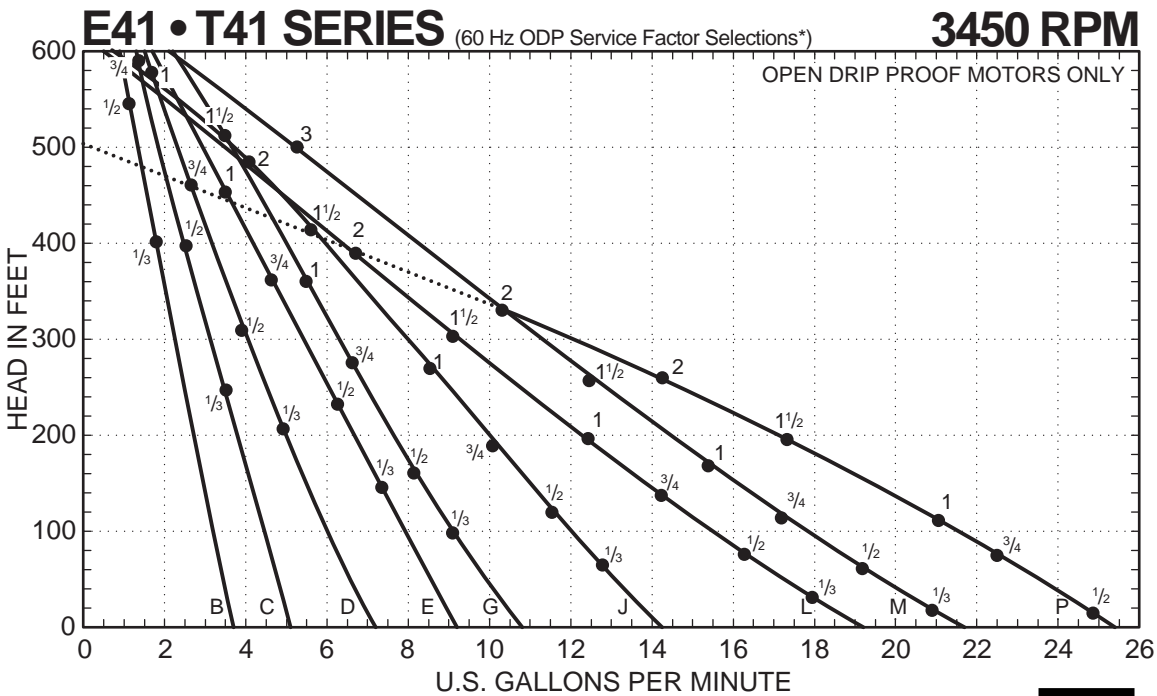
E41 • T41 Series

- Capacities to 24 GPM
- Heads to 600 Feet
- Low NPSH Requirements
- Horizontal Close Coupled
- Vertical Flange Mounted
- Flex Coupled



E41 • T41 SERIES

Composite Curves



MTH PUMPS

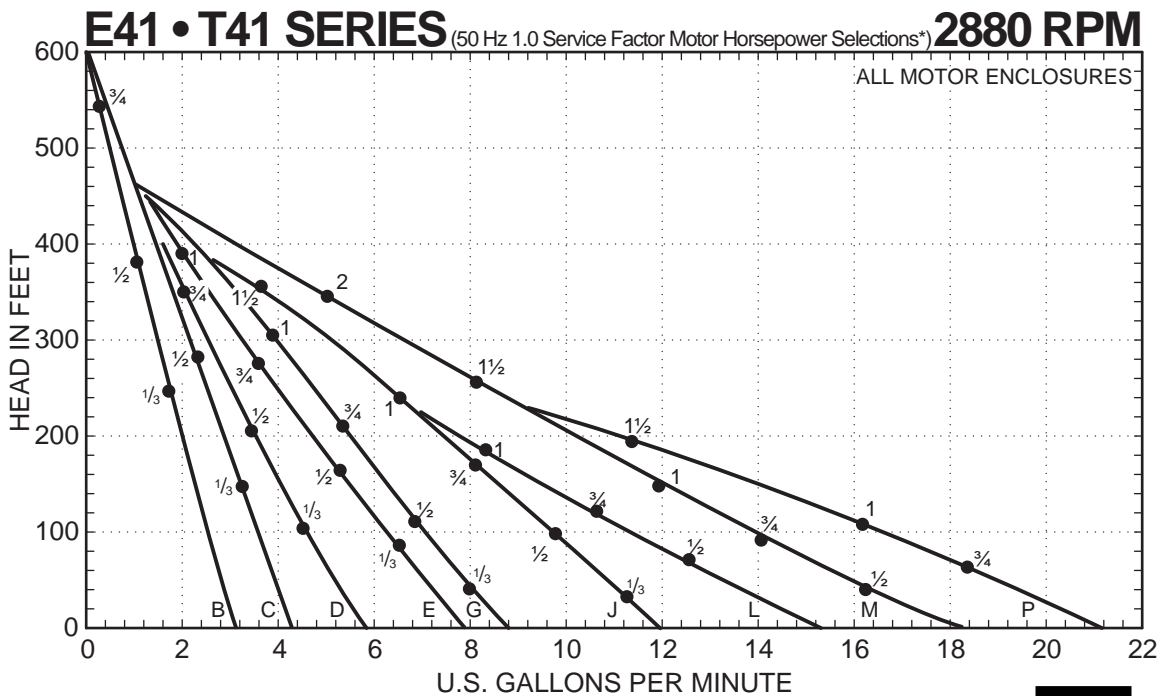
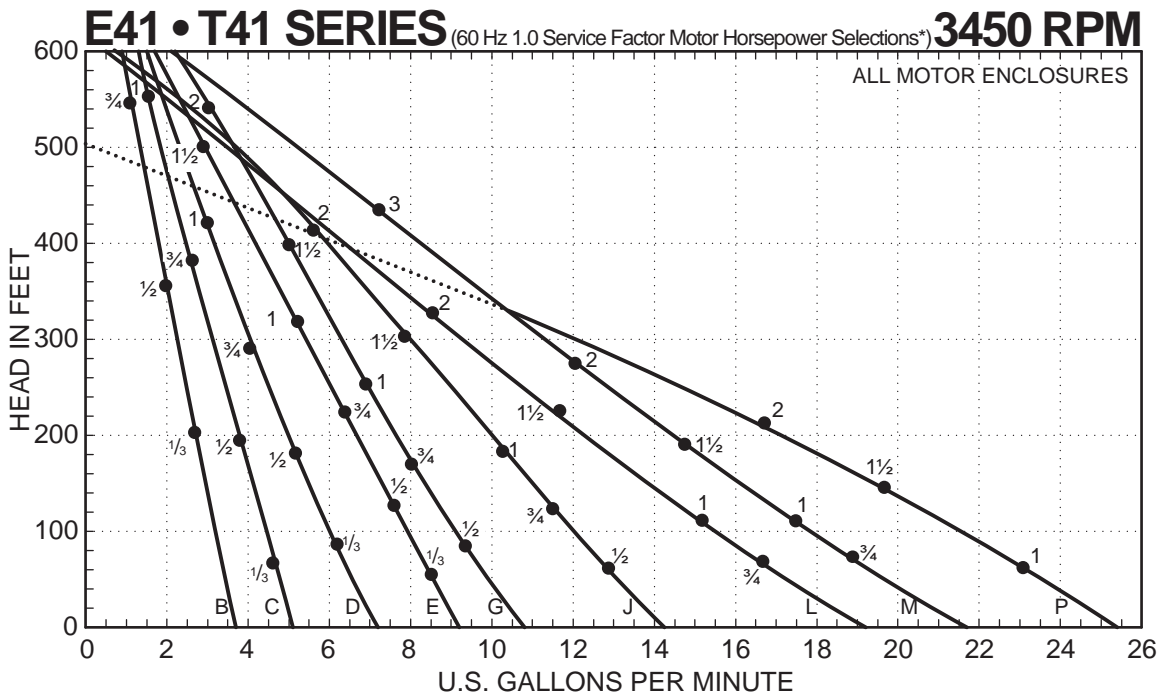
401 West Main Street • Plano, IL 60545-1436
 Phone: 630-552-4115 • Fax: 630-552-3688
 Email: SALES@MTHPUMPS.COM
 http://WWW.MTHPUMPS.COM

* Horsepower data is valid for 1.0 specific gravity fluids only

E41 • T41 SERIES PUMPS

E41 • T41 SERIES

Composite Curves



E41 • T41 SERIES PUMPS



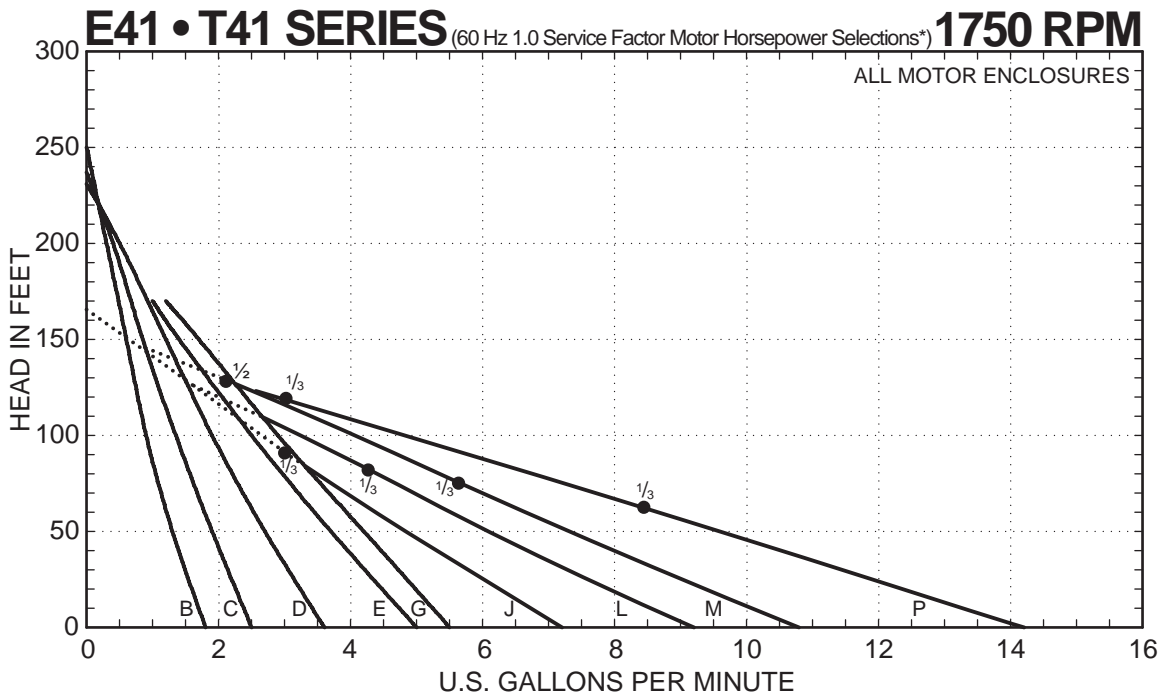
MTH PUMPS

401 West Main Street • Plano, IL 60545-1436
Phone: 630-552-4115 • Fax: 630-552-3688
Email: SALES@MTHPUMPS.COM
<http://WWW.MTHPUMPS.COM>

* Horsepower data is valid for 1.0 specific gravity fluids only

E41 • T41 SERIES

Composite Curves



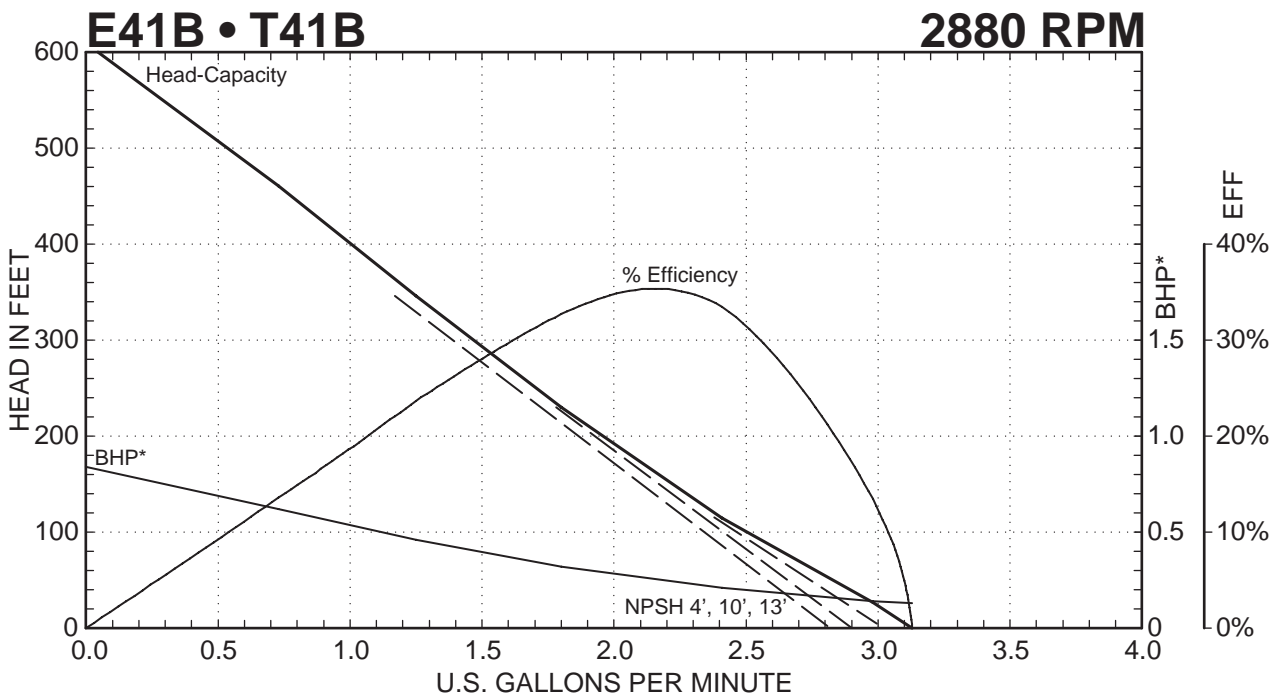
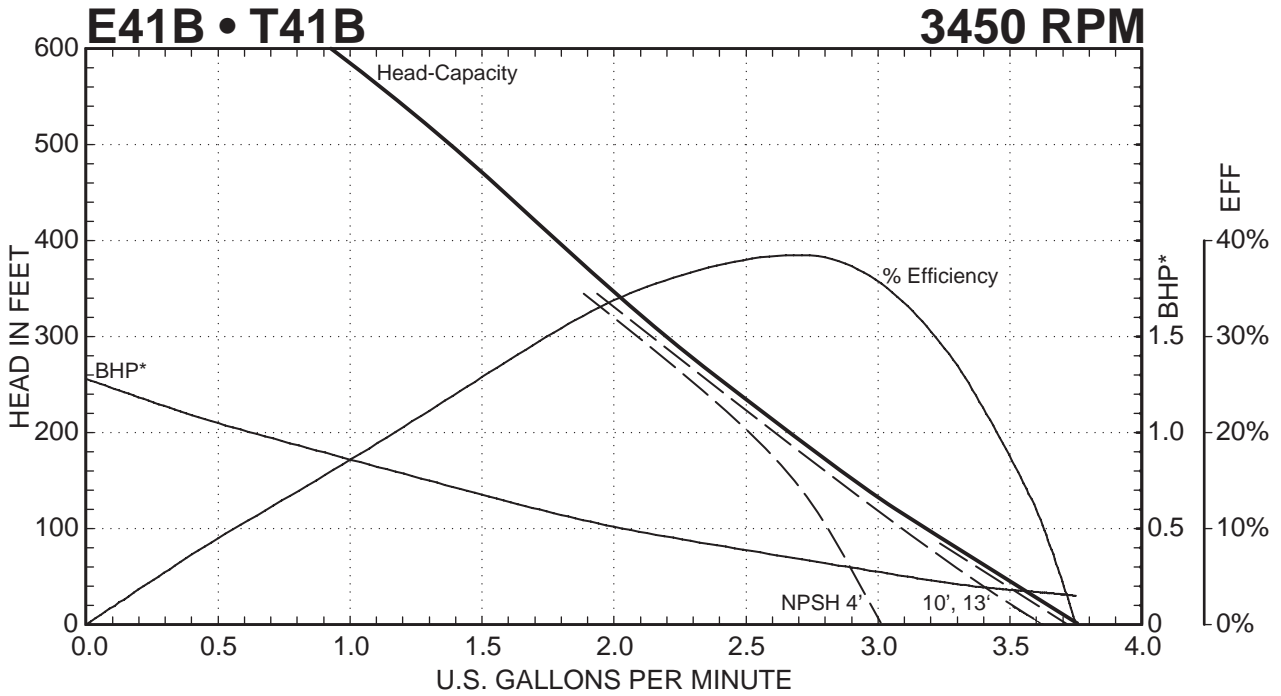
* Horsepower data is valid for 1.0 specific gravity fluids only



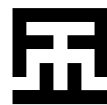
401 West Main Street • Plano, IL 60545-1436
 Phone: 630-552-4115 • Fax: 630-552-3688
 Email: SALES@MTHPUMPS.COM
<http://WWW.MTHPUMPS.COM>

E41 • T41 SERIES PUMPS

Performance Curves



E41 • T41 SERIES PUMPS



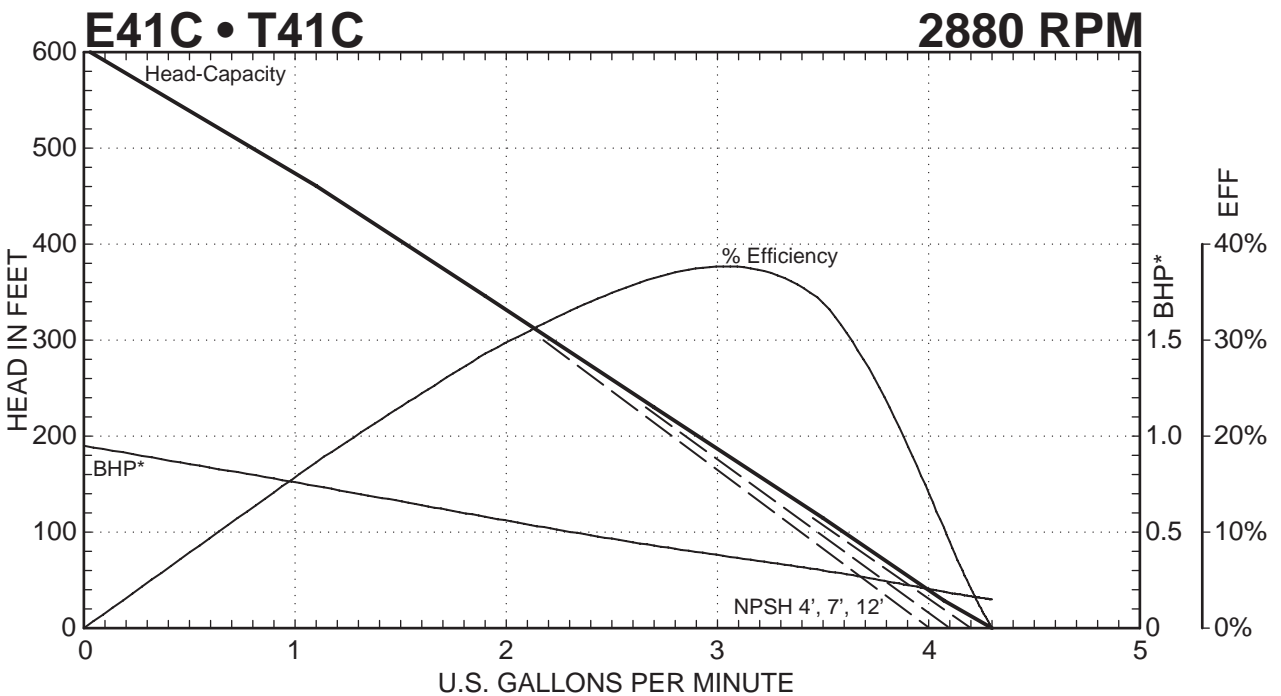
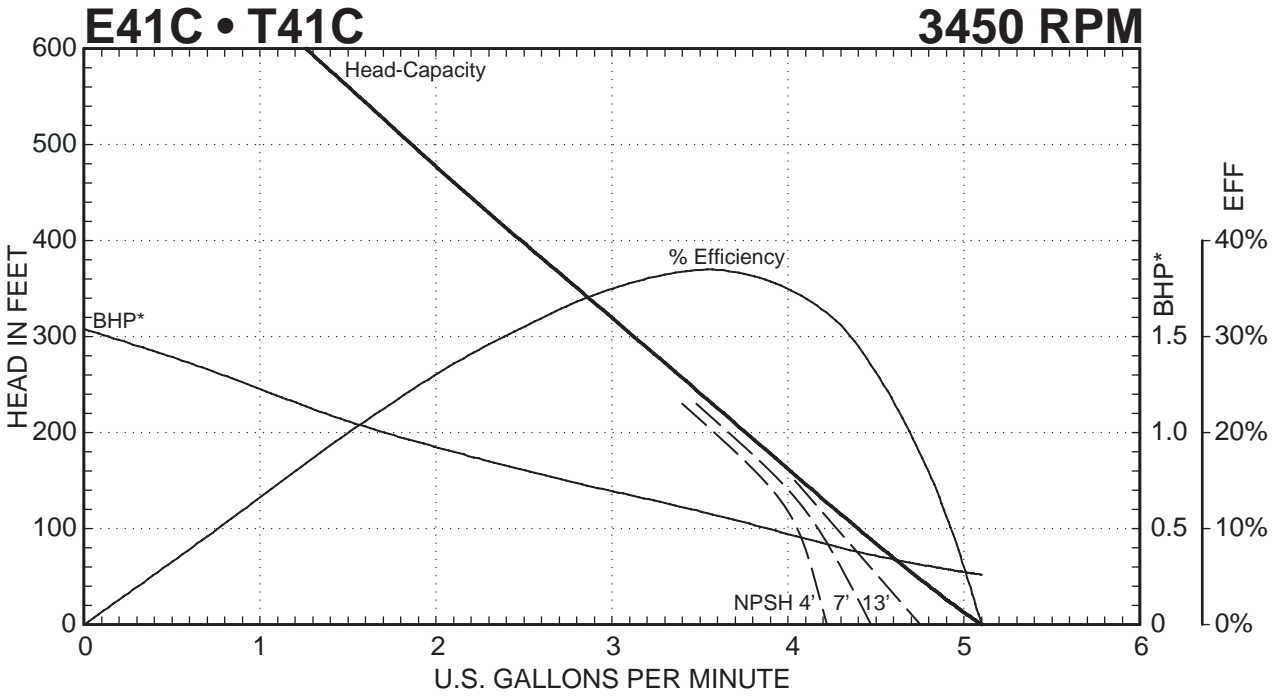
MTH PUMPS

401 West Main Street • Plano, IL 60545-1436
 Phone: 630-552-4115 • Fax: 630-552-3688
 Email: SALES@MTHPUMPS.COM
<http://WWW.MTHPUMPS.COM>

— — — Indicates altered performance at NPSH Available
 * Horsepower data is valid for 1.0 specific gravity fluids only

E41 • T41 SERIES

Performance Curves

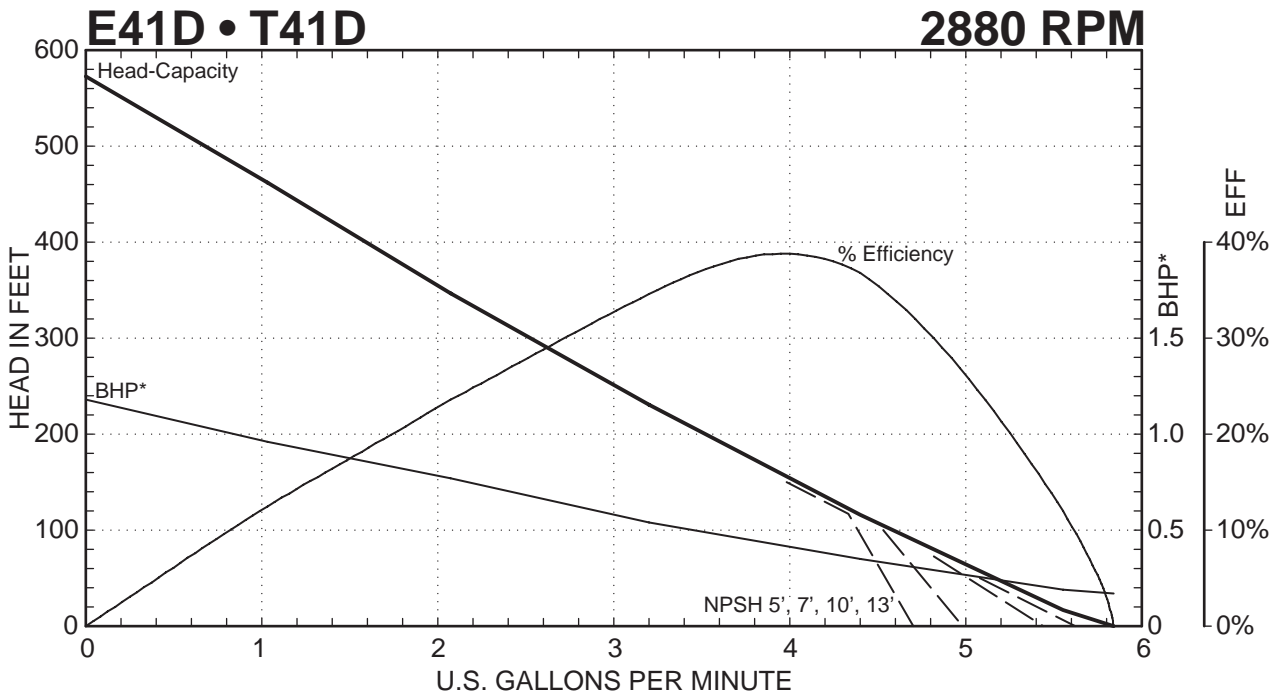
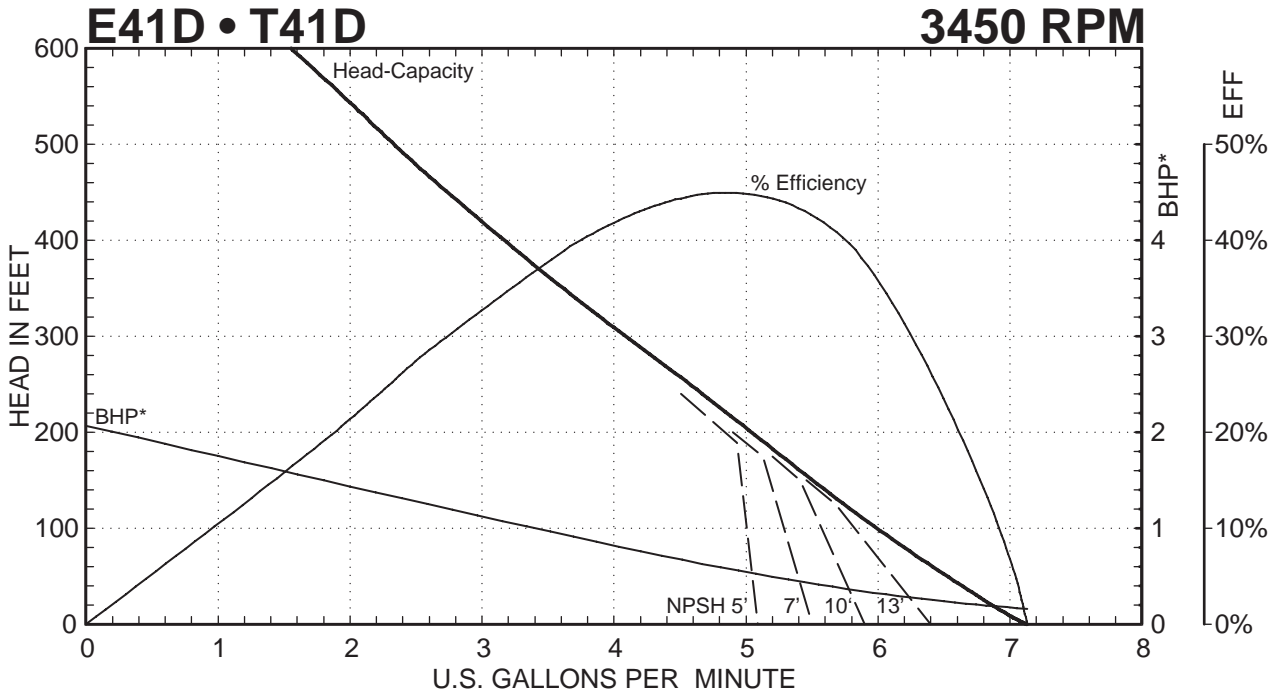


— — — Indicates altered performance at NPSH Available
 * Horsepower data is valid for 1.0 specific gravity fluids only

MTH PUMPS
 401 West Main Street • Plano, IL 60545-1436
 Phone: 630-552-4115 • Fax: 630-552-3688
 Email: SALES@MTHPUMPS.COM
 http://WWW.MTHPUMPS.COM

E41 • T41 SERIES PUMPS

Performance Curves



E41 • T41 SERIES PUMPS



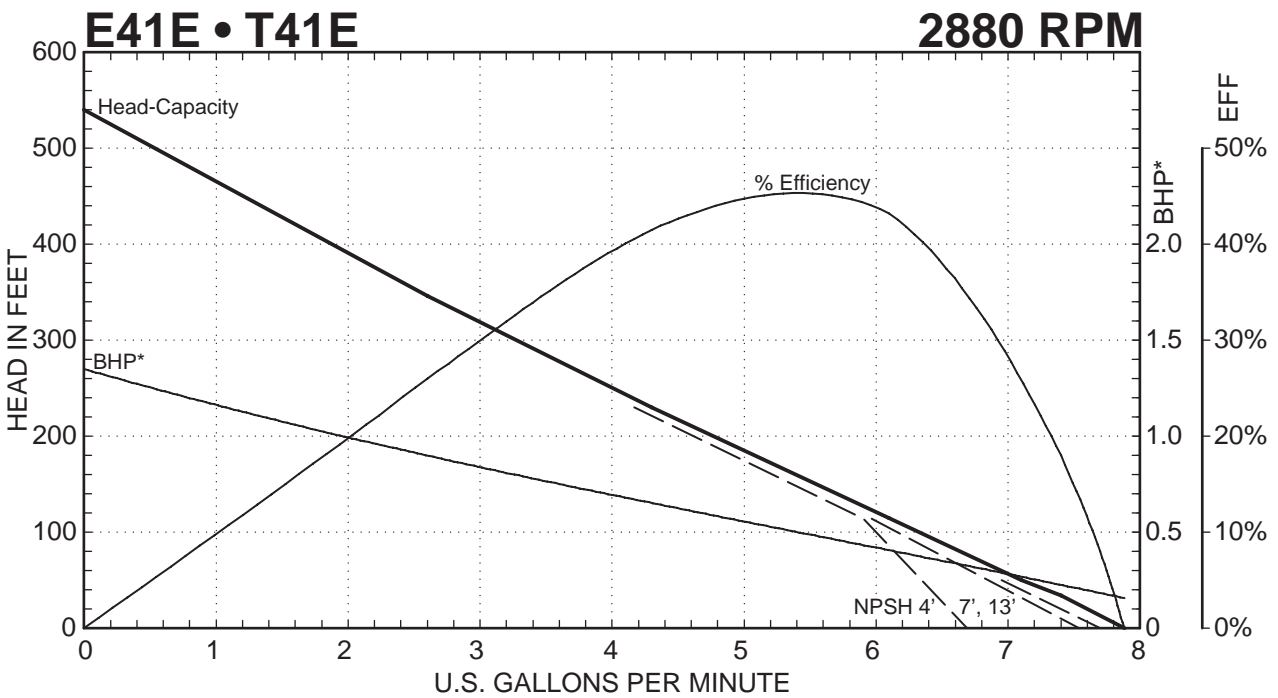
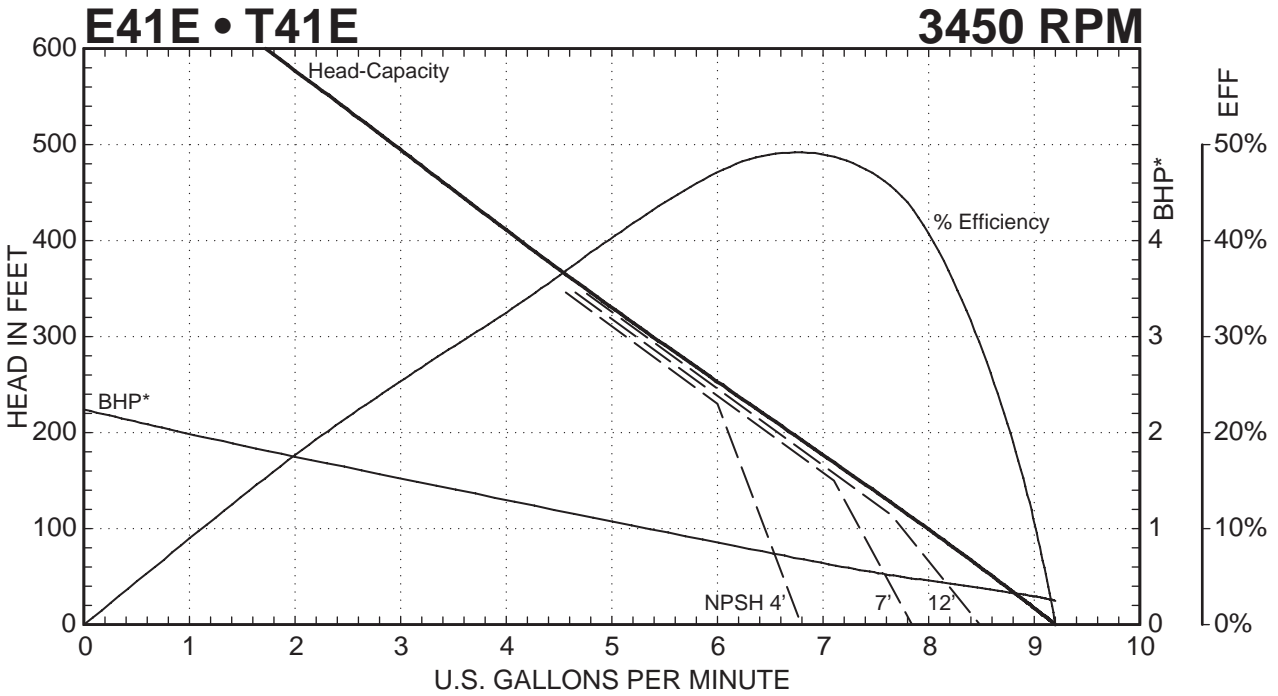
MTH PUMPS

401 West Main Street • Plano, IL 60545-1436
 Phone: 630-552-4115 • Fax: 630-552-3688
 Email: SALES@MTHPUMPS.COM
 http://WWW.MTHPUMPS.COM

— — — Indicates altered performance at NPSH Available
 * Horsepower data is valid for 1.0 specific gravity fluids only

E41 • T41 SERIES

Performance Curves



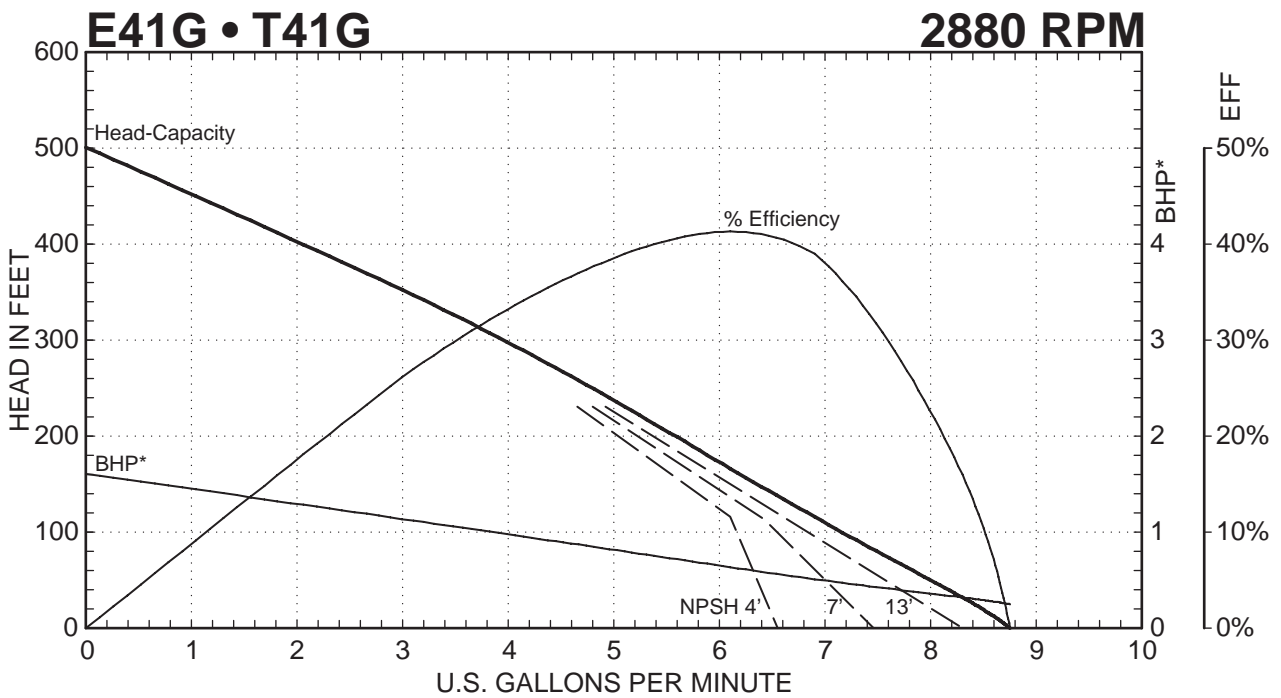
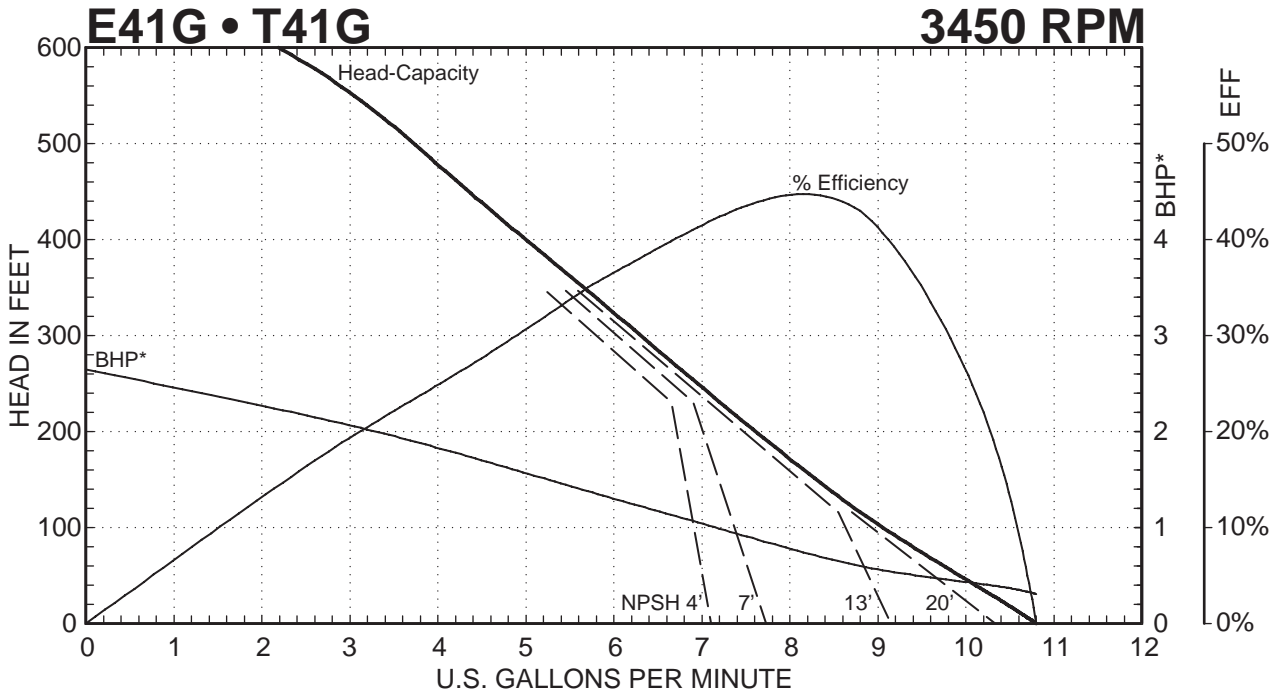
— — — Indicates altered performance at NPSH Available
 * Horsepower data is valid for 1.0 specific gravity fluids only



401 West Main Street • Plano, IL 60545-1436
 Phone: 630-552-4115 • Fax: 630-552-3688
 Email: SALES@MTHPUMPS.COM
 http://WWW.MTHPUMPS.COM

E41 • T41 SERIES PUMPS

Performance Curves



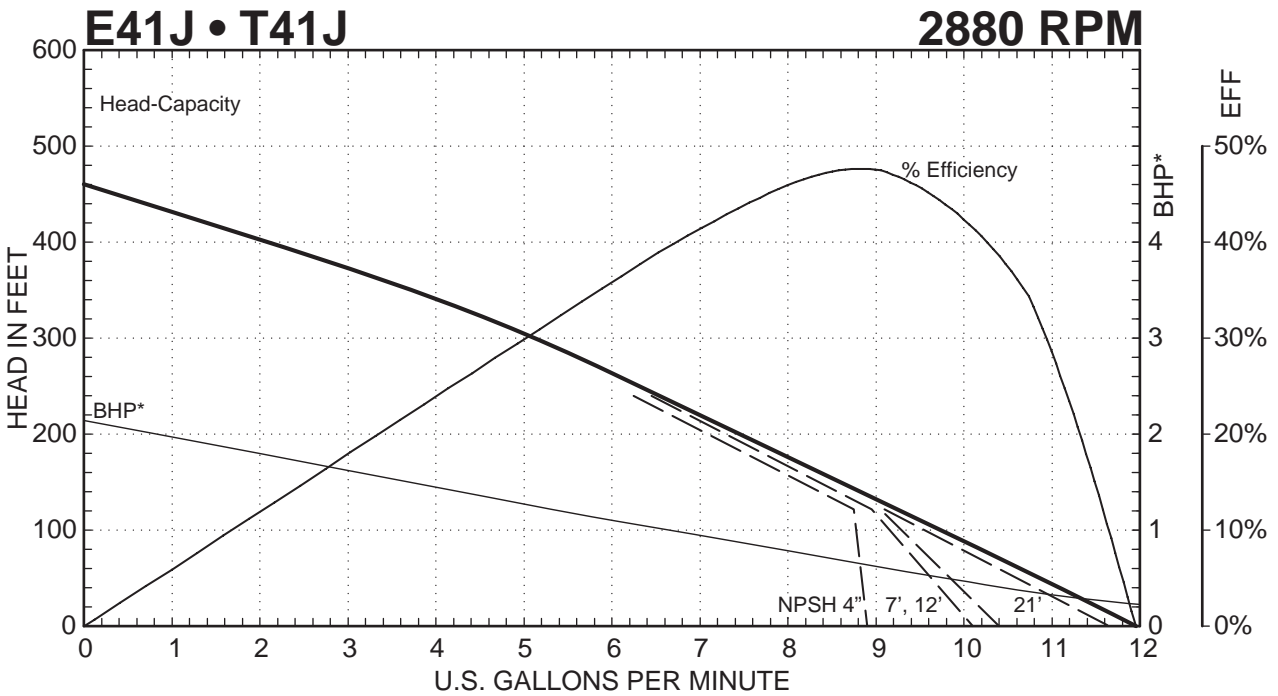
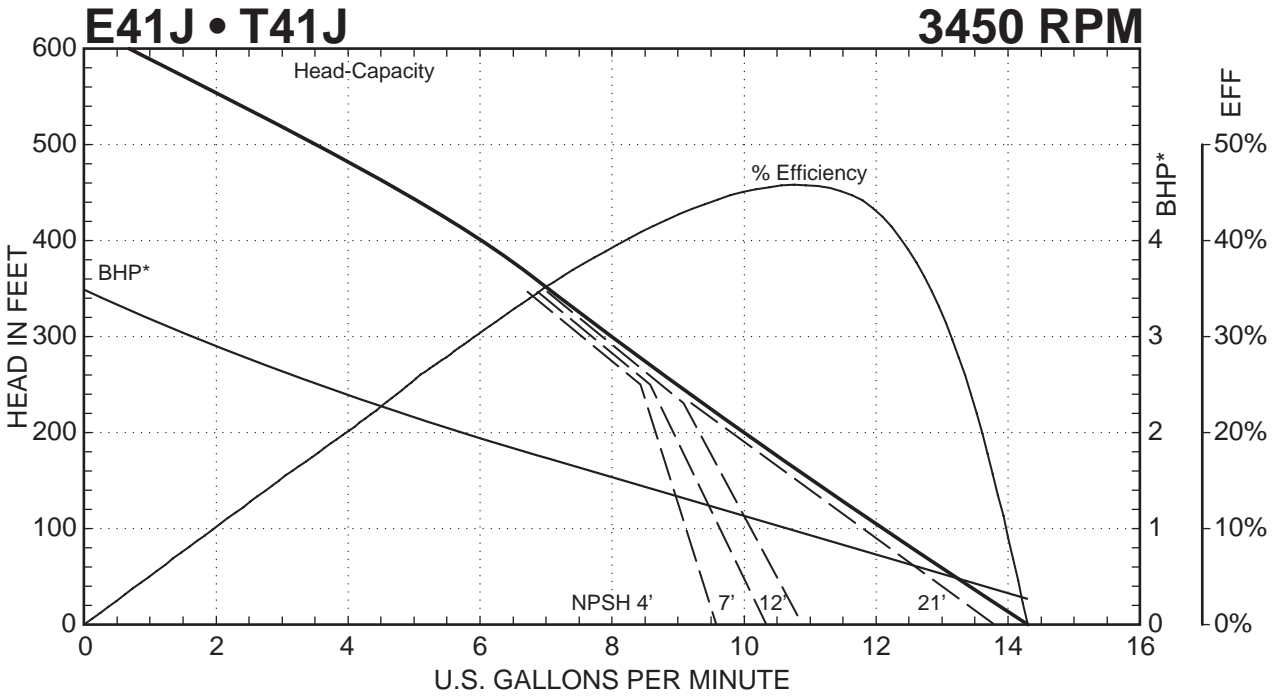
E41 • T41 SERIES PUMPS

— — — — — Indicates altered performance at NPSH Available
 * Horsepower data is valid for 1.0 specific gravity fluids only

MTH PUMPS
 401 West Main Street • Plano, IL 60545-1436
 Phone: 630-552-4115 • Fax: 630-552-3688
 Email: SALES@MTHPUMPS.COM
 http://WWW.MTHPUMPS.COM

E41 • T41 SERIES

Performance Curves



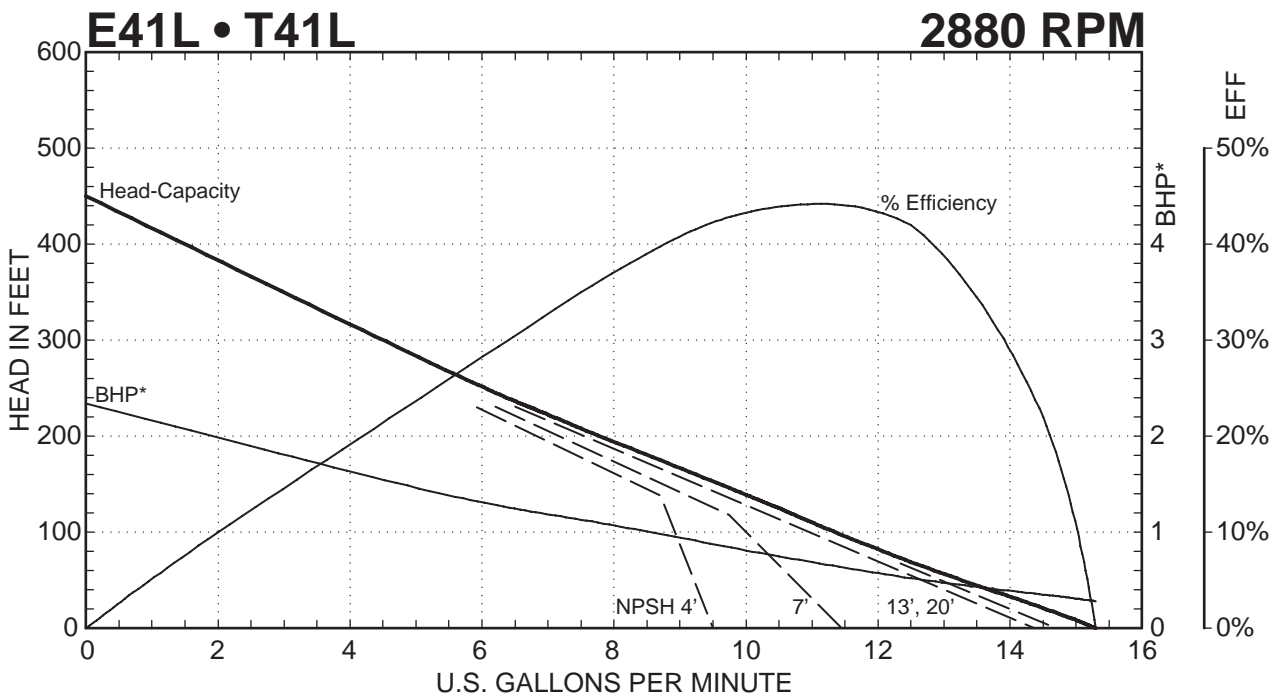
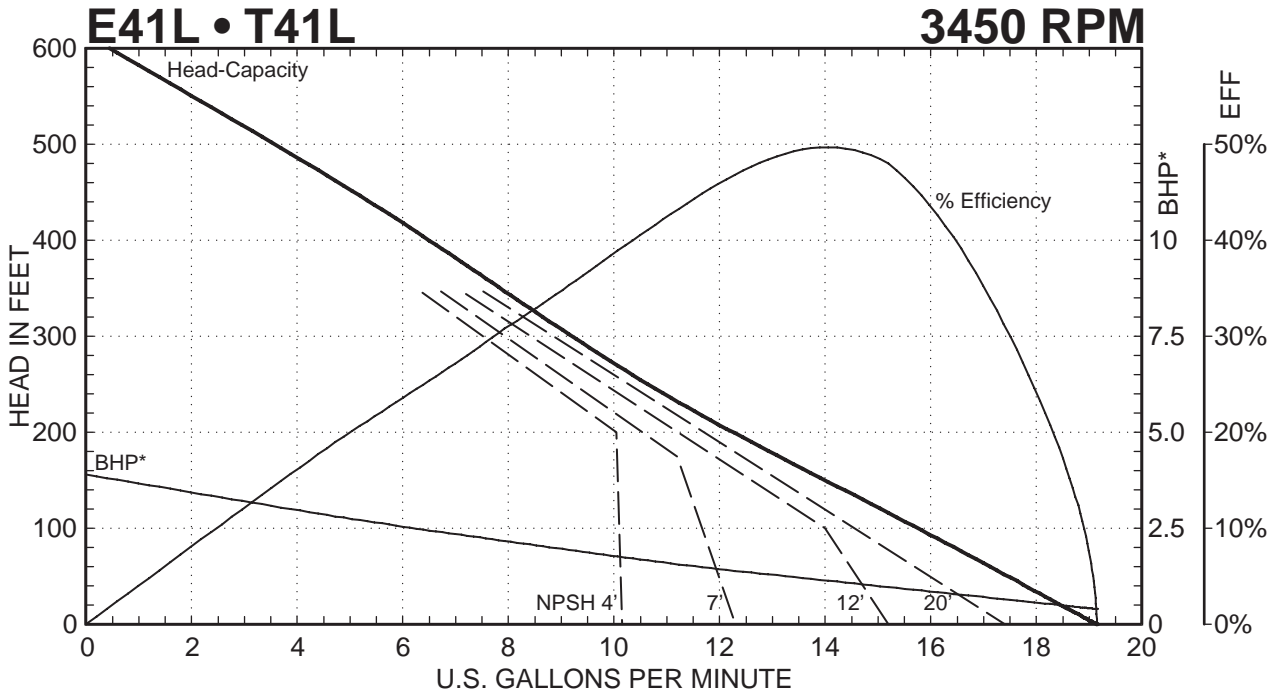
— — — Indicates altered performance at NPSH Available
 * Horsepower data is valid for 1.0 specific gravity fluids only



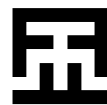
401 West Main Street • Plano, IL 60545-1436
 Phone: 630-552-4115 • Fax: 630-552-3688
 Email: SALES@MTHPUMPS.COM
<http://WWW.MTHPUMPS.COM>

E41 • T41 SERIES PUMPS

Performance Curves



E41 • T41 SERIES PUMPS



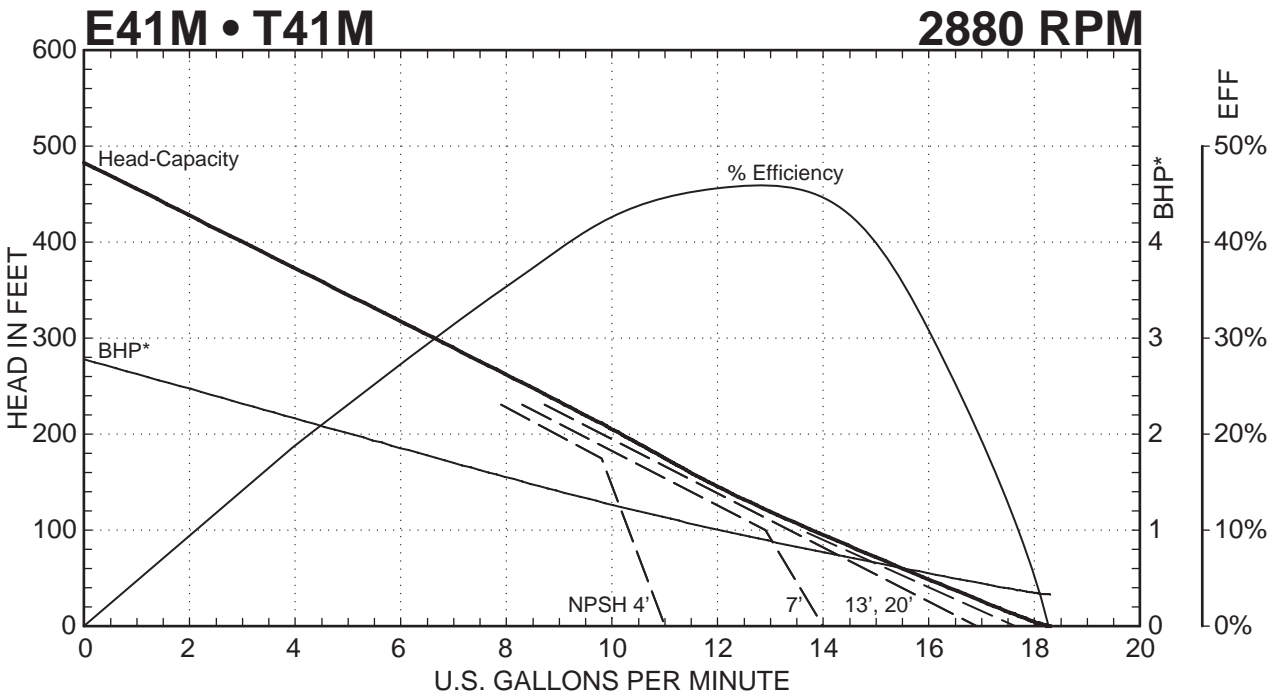
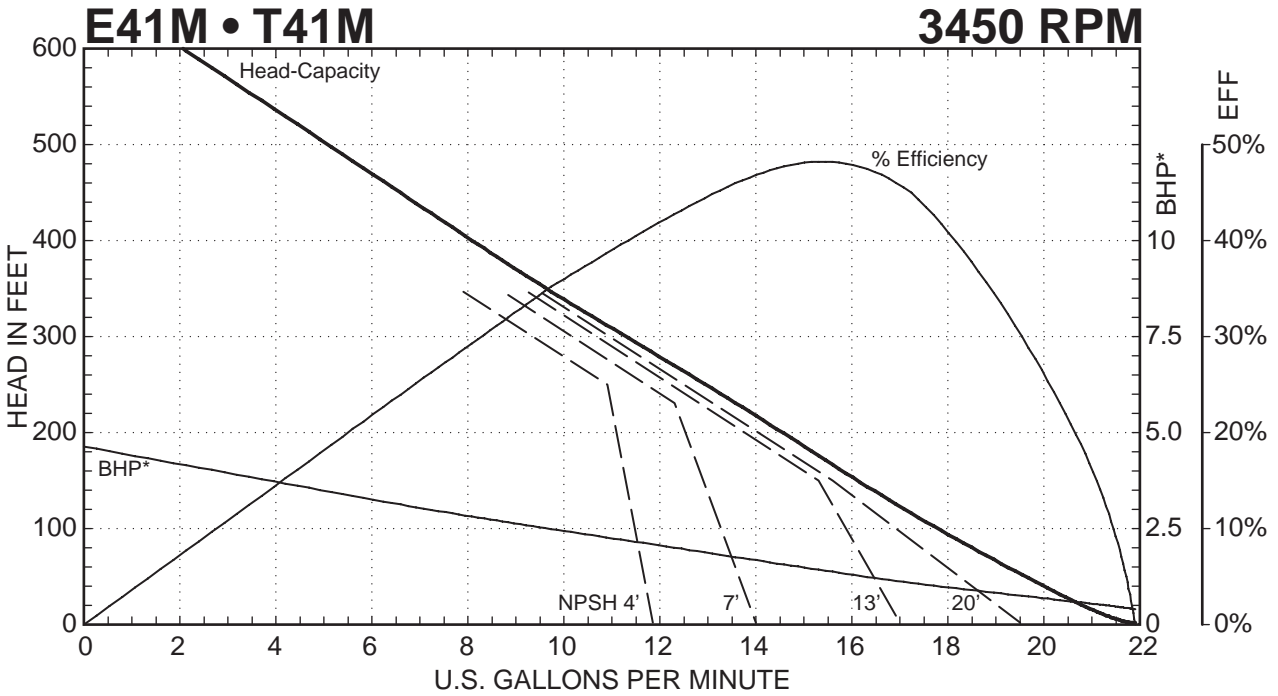
MTH PUMPS

401 West Main Street • Plano, IL 60545-1436
 Phone: 630-552-4115 • Fax: 630-552-3688
 Email: SALES@MTHPUMPS.COM
 http://WWW.MTHPUMPS.COM

— — — Indicates altered performance at NPSH Available
 * Horsepower data is valid for 1.0 specific gravity fluids only

E41 • T41 SERIES

Performance Curves



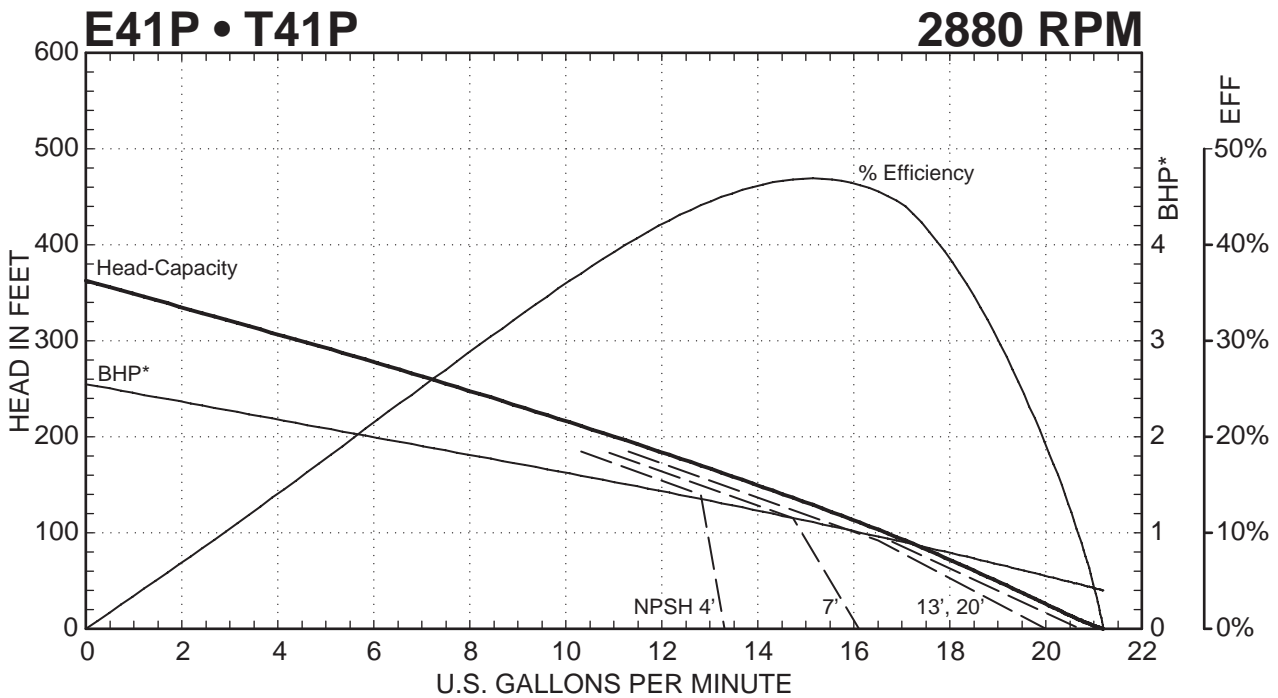
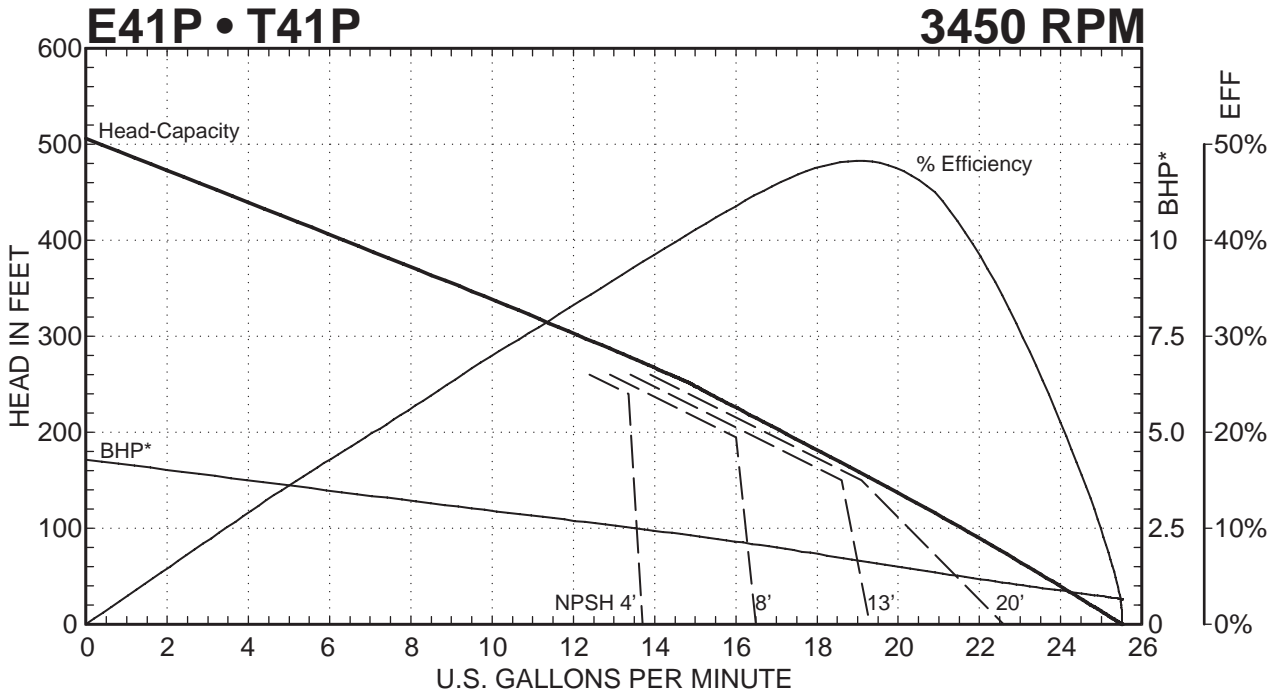
— — — Indicates altered performance at NPSH Available
 * Horsepower data is valid for 1.0 specific gravity fluids only



401 West Main Street • Plano, IL 60545-1436
 Phone: 630-552-4115 • Fax: 630-552-3688
 Email: SALES@MTHPUMPS.COM
 http://WWW.MTHPUMPS.COM

E41 • T41 SERIES PUMPS

Performance Curves



E41 • T41 SERIES PUMPS



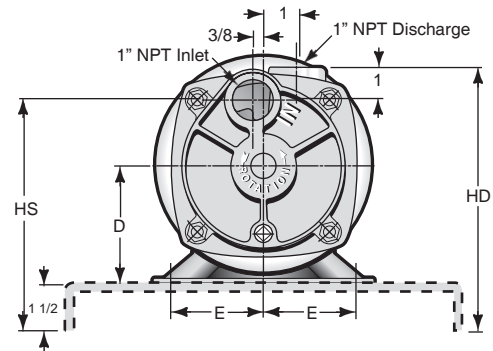
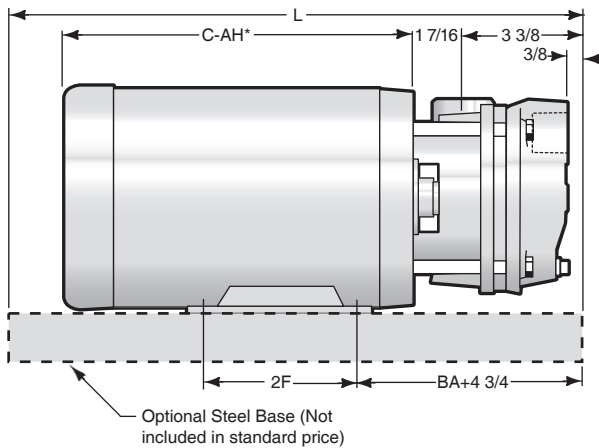
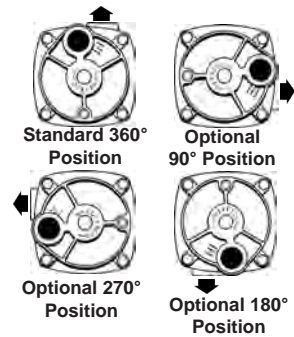
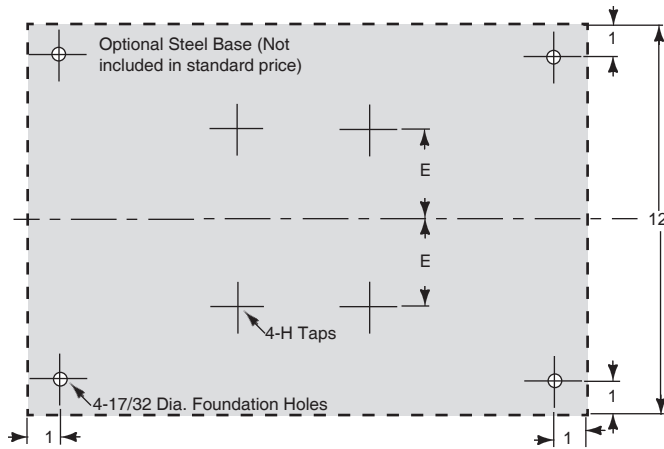
MTH PUMPS

401 West Main Street • Plano, IL 60545-1436
 Phone: 630-552-4115 • Fax: 630-552-3688
 Email: SALES@MTHPUMPS.COM
<http://WWW.MTHPUMPS.COM>

— — — Indicates altered performance at NPSH Available
 * Horsepower data is valid for 1.0 specific gravity fluids only

E41 • T41 SERIES
Dimensions

T41 Horizontal Close Coupled



56C Thru 215TC Motor Frames

FRAME	D	BA+4 3/4	2F	E	H	HS	HD	L
56 C	3 1/2	7 3/8	3	2 7/16	5/16 - 18	7	8	18
143 TC	3 1/2	7 5/8	4	2 3/4	5/16 - 18	7	8	18
145 TC	3 1/2	7 5/8	5	2 3/4	5/16 - 18	7	8	18
182 TC	4 1/2	8 3/8	4 1/2	3 3/4	3/8 - 16	8	9	20
184 TC	4 1/2	8 3/8	5 1/2	3 3/4	3/8 - 16	8	9	20
213 TC	5 1/4	9 1/8	5 1/2	4 1/4	3/8 - 16	8 3/4	9 3/4	22
215 TC	5 1/4	9 1/8	7	4 1/4	3/8 - 16	8 3/4	9 3/4	22

NOTES

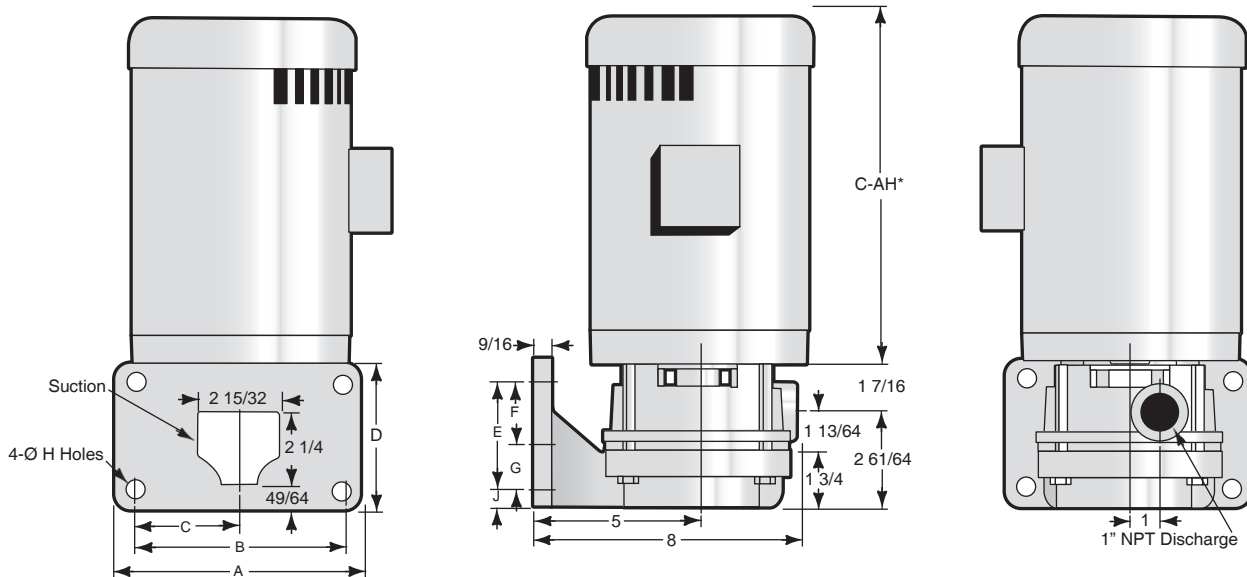
All dimensions in inches. May vary \pm 1/4 inches.
 Not for construction purposes unless certified.
 *See motor dimensions for "C-AH" dimension
 (Varies depending on motor enclosure).



MTH PUMPS
 401 West Main Street • Plano, IL 60545-1436
 Phone: 630-552-4115 • Fax: 630-552-3688
 Email: SALES@MTHPUMPS.COM
 http://WWW.MTHPUMPS.COM

Dimensions

T41 Flange Mounted Close Coupled



56C Thru 215TC Motor Frames

FLANGE STYLE	A	B	C	D	E	F	G	H	J
AU (7 1/2 x 4 1/2)	7 1/2	6 1/4	3 1/8	4 1/2	3 1/4	2 1/8	1 1/8	9/16	5/8
DB (4 1/2 x 4 1/2)	4 1/2	3.270	1.635	4 1/2	3.270	2.135	1.135	1/2	.615
FE (7 3/4 x 4 3/4)	7 1/2	6 1/4	3 1/8	4 1/2	3 1/2	2 1/4	1 1/4	9/16	1/2
PA (6 1/2 x 3 3/4)	6 1/2	5 1/2	2 3/4	3 3/4	2 5/8	1 1/2	1 1/8	9/16	5/8
SH & BU (6 1/4 x 4)	6 1/4	5	2 1/2	4	2 3/4	1 5/8	1 1/8	9/16	5/8
SK (6 1/8 x 4 1/8)	6.13	4.94	2.47	4.13	2.69	1.66	1.03	9/16	.72
ST (5 x 5)	5	3 3/4	1 7/8	5	3 3/4	2 5/8	1 1/8	1/2	5/8
WI (5 x 5)	5	4 1/8	2 1/16	5	4 1/8	2 13/16	1 5/16	7/16	7/16

NOTES

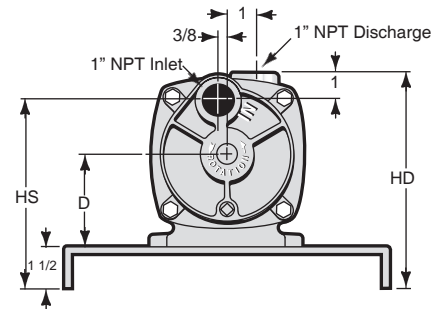
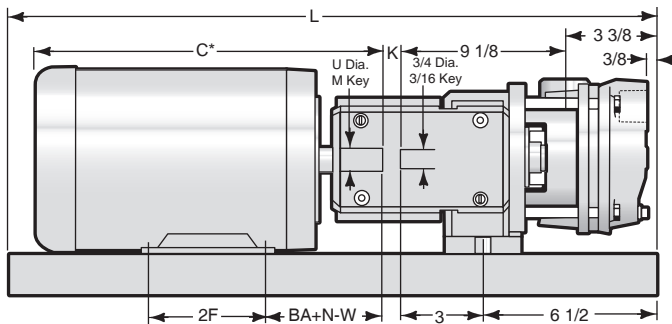
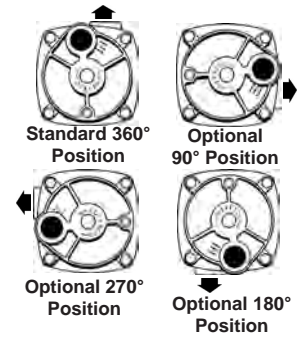
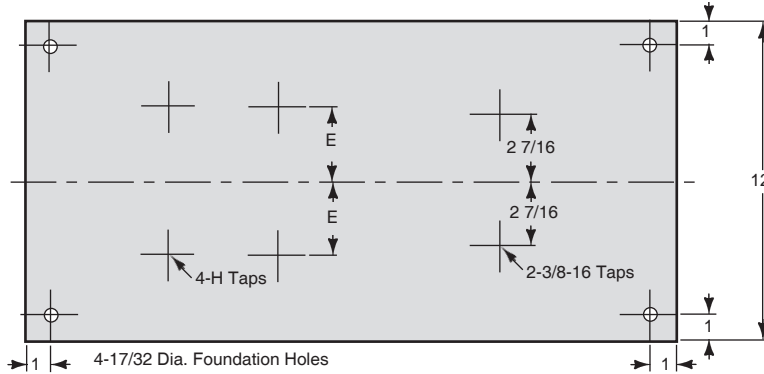
All dimensions in inches. May vary ± 1/4 inches.
 Not for construction purposes unless certified.
 *See motor dimensions for "C-AH" dimension
 (Varies depending on motor enclosure).



401 West Main Street • Plano, IL 60545-1436
 Phone: 630-552-4115 • Fax: 630-552-3688
 Email: SALES@MTHPUMPS.COM
 http://WWW.MTHPUMPS.COM

E41 • T41 SERIES
Dimensions

P3 Bearing Pedestal



56T Thru 184T Motor Frames

FRAME	D	U	BA+N-W	2F	E	H	K	HS	HD	L	M
56 T	3 1/2	5/8	4 5/8	3	2 7/16	5/16 - 18	5/8	7	8	24	3/16
143 T	3 1/2	7/8	4 1/2	4	2 3/4	5/16 - 18	5/8	7	8	24	3/16
145 T	3 1/2	7/8	4 1/2	5	2 3/4	5/16 - 18	5/8	7	8	24	3/16
182 T	4 1/2	1 1/8	5 1/2	4 1/2	3 3/4	3/8 - 16	3/4	8	9	26	1/4
184 T	4 1/2	1 1/8	5 1/2	5 1/2	3 3/4	3/8 - 16	3/4	8	9	26	1/4

NOTES

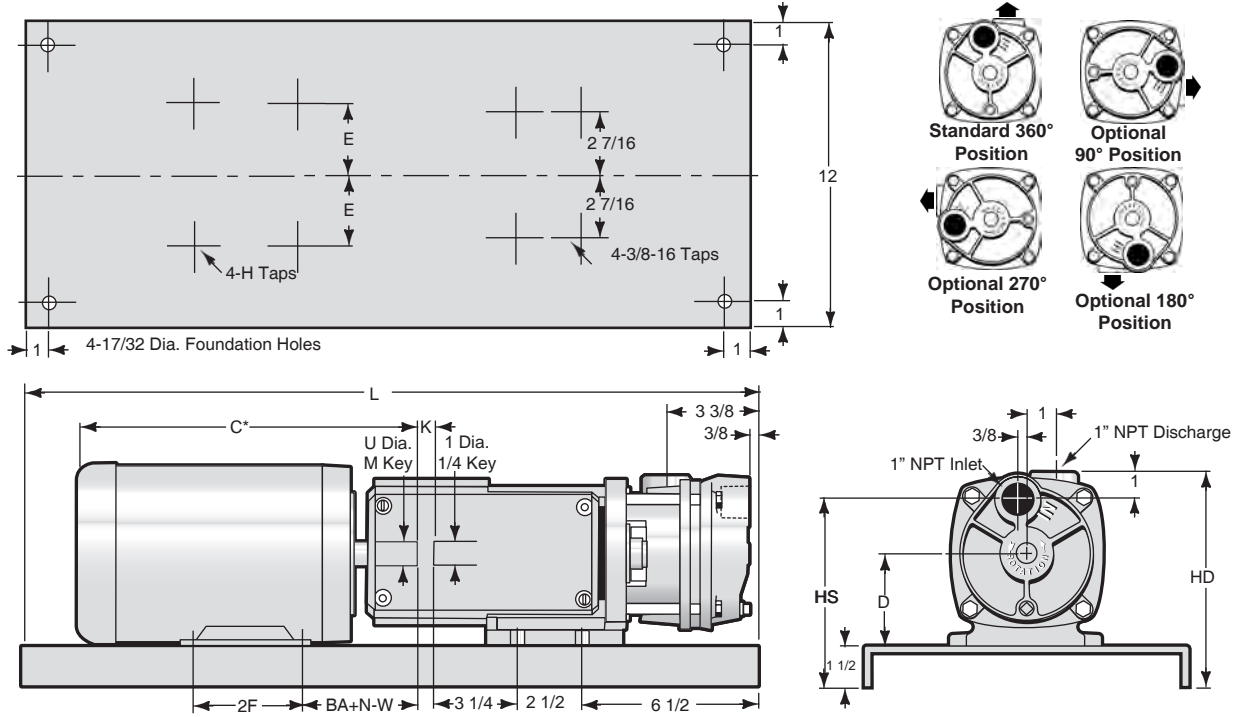
All dimensions in inches. May vary ± 1/4 inches.
 Not for construction purposes unless certified.
 *See motor dimensions for "C-AH" dimension
 (Varies depending on motor enclosure).



MTH PUMPS
 401 West Main Street • Plano, IL 60545-1436
 Phone: 630-552-4115 • Fax: 630-552-3688
 Email: SALES@MTHPUMPS.COM
 http://WWW.MTHPUMPS.COM

Dimensions

P15 Bearing Pedestal



143T Thru 215T Motor Frames

FRAME	D	U	BA+N-W	2F	E	H	K	HS	HD	L	M
143 T	3 1/2	7/8	4 1/2	4	2 3/4	5/16 - 18	5/8	7	8	28	3/16
145 T	3 1/2	7/8	4 1/2	5	2 3/4	5/16 - 18	5/8	7	8	28	3/16
182 T	4 1/2	1 1/8	5 1/2	4 1/2	3 3/4	3/8 - 16	3/4	8	9	30	1/4
184 T	4 1/2	1 1/8	5 1/2	5 1/2	3 3/4	3/8 - 16	3/4	8	9	30	1/4
213 T	5 1/4	1 3/8	6 7/8	5 1/2	4 1/4	3/8 - 16	7/8	8 3/4	9 3/4	33	5/16
215 T	5 1/4	1 3/8	6 7/8	7	4 1/4	3/8 - 16	7/8	8 3/4	9 3/4	33	5/16

NOTES

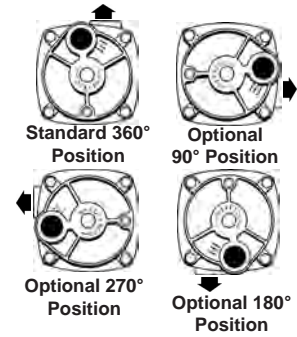
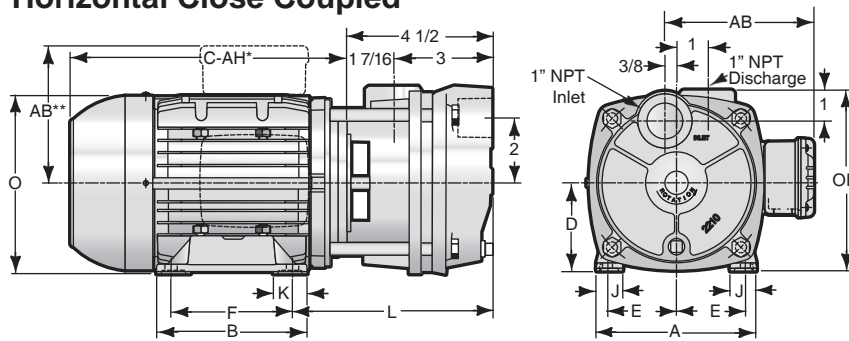
All dimensions in inches. May vary ± 1/4 inches.
 Not for construction purposes unless certified.
 *See motor dimensions for "C-AH" dimension
 (Varies depending on motor enclosure).



401 West Main Street • Plano, IL 60545-1436
 Phone: 630-552-4115 • Fax: 630-552-3688
 Email: SALES@MTHPUMPS.COM
 http://WWW.MTHPUMPS.COM

E41 • T41 SERIES Dimensions

E41 Horizontal Close Coupled

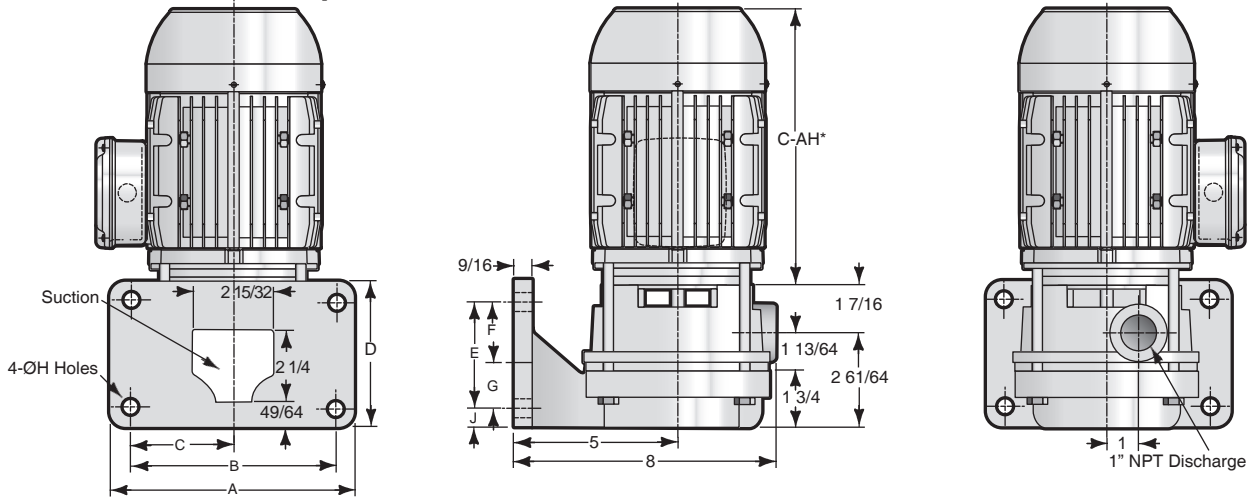


48 Thru 90 Motor Frames

FRAME	Phase	A	AB	B	D	E	F	J	K	L	O	OP
48	1	6.14	---	3.54	3.00	2.12	2.72	---	---	7.08	5.64	6.00
56	1	6.53	---	6.50	3.50	2.44	3.00	---	---	7.73	6.54	6.50
71	3	5.28	5.00	4.25	2.80	2.20	3.54	1.10	1.19	6.53	5.47	5.80
80	3	6.10	5.12	4.88	3.15	2.46	3.94	1.26	1.10	6.7	6.18	6.15
90	3	6.69	5.91**	5.75	3.54	2.76	4.92	1.38	---	7.0	6.97	6.54

**Denotes conduit box mounted on top(90 frame only)

E41 Vertical Close Coupled



48 Thru 90 Motor Frames

FLANGE STYLE	A	B	C	D	E	F	G	H	J
AU (7 1/2 x 4 1/2)	7 1/2	6 1/4	3 1/8	4 1/2	3 1/4	2 1/8	1 1/8	9/16	5/8
DB (4 1/2 x 4 1/2)	4 1/2	3.270	1.635	4 1/2	3.270	2.135	1.135	1/2	.615
FE (7 3/4 x 4 3/4)	7 1/2	6 1/4	3 1/8	4 1/2	3 1/2	2 1/4	1 1/4	9/16	1/2
PA (6 1/2 x 3 3/4)	6 1/2	5 1/2	2 3/4	3 3/4	2 5/8	1 1/2	1 1/8	9/16	5/8
SH & BU (6 1/4 x 4)	6 1/4	5	2 1/2	4	2 3/4	1 5/8	1 1/8	9/16	5/8
SK (6 1/8 x 4 1/8)	6.13	4.94	2.47	4.13	2.69	1.66	1.03	9/16	.72
ST (5 x 5)	5	3 3/4	1 7/8	5	3 3/4	2 5/8	1 1/8	1/2	5/8
WI (5 x 5)	5	4 1/8	2 1/16	5	4 1/8	2 13/16	1 5/16	7/16	7/16

NOTES

All dimensions in inches. May vary ± 1/4 inches.
 Not for construction purposes unless certified.
 *See motor dimensions for "C-AH" dimension
 (Varies depending on motor enclosure).



401 West Main Street • Plano, IL 60545-1436
 Phone: 630-552-4115 • Fax: 630-552-3688
 Email: SALES@MTHPUMPS.COM
 http://WWW.MTHPUMPS.COM