

FFX-30 NitroPower

Residential Fire Water Supply System

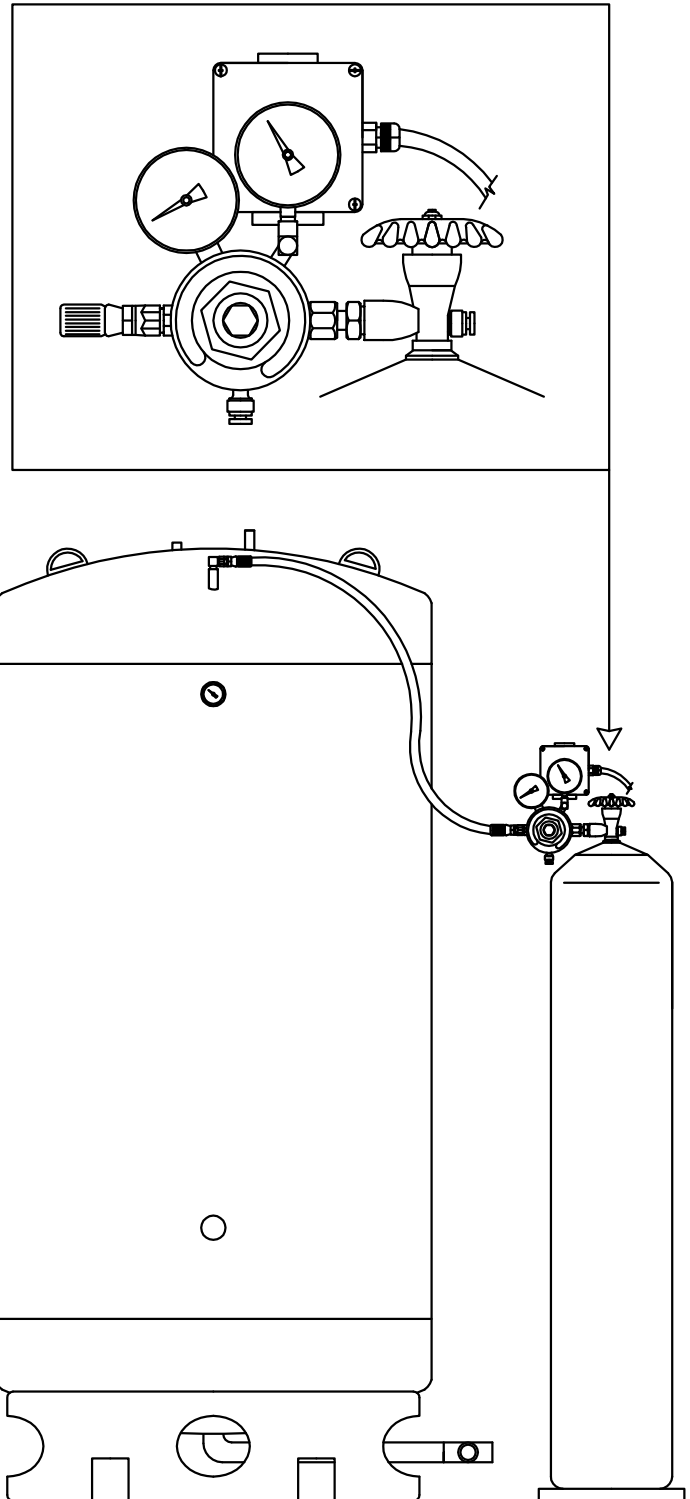
- Low Maintenance
- No Power Required
- 25 to 100 PSI Adjustable Pressure
- 30 GPM (Set for 10 minute run time)

System Components:

- Premium Brass Regulator
- Zero Leakage Relief Valve
- Nitrogen Gas Cylinder
- Fabricated Steel Water Pressure Tank (ASME Certified)
- Water Level Gauge
- Brass Check Valve
- Discharge Manifold & Fittings
- Mounting Hardware

Dimensions:

- Discharge Pipe Size: 1" NPT
- Water Tank: 300 gallon
36" Diameter x 73" Tall
- Nitrogen Tank: 336ci.
11" Diameter x 62" Tall
- Pad Size: 54" x 54" (Recommended)
- Weight: 800# (Dry)



FFX-45 NitroPower

Residential Fire Water Supply System

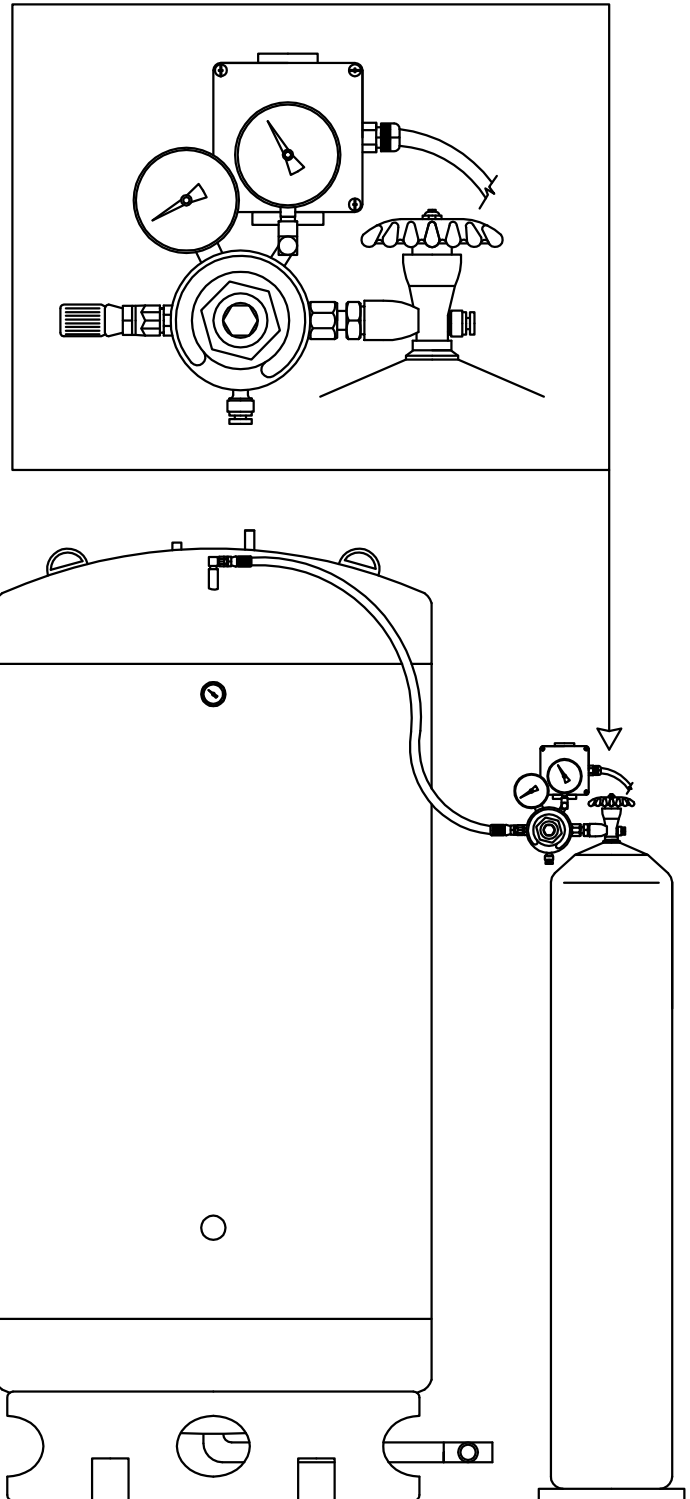
- Low Maintenance
- No Power Required
- 25 to 100 PSI Adjustable Pressure
- 45 GPM (Set for 10 minute run time)

System Components:

- Premium Brass Regulator
- Zero Leakage Relief Valve
- Nitrogen Gas Cylinder
- Fabricated Steel Water Pressure Tank (ASME Certified)
- Water Level Gauge
- Brass Check Valve
- Discharge Manifold & Fittings
- Mounting Hardware

Dimensions:

- Discharge Pipe Size: 1 1/4" NPT
- Water Tank: 450 gallon
42" Diameter x 82" Tall
- Nitrogen Tank: 336ci. (Quantity - 2)
11" Diameter x 62" Tall
- Pad Size: 72" x 72" (Recommended)
- Weight: 1100# (Dry)



FFX-60 NitroPower

Residential Fire Water Supply System

- Low Maintenance
- No Power Required
- 25 to 100 PSI Adjustable Pressure
- 60 GPM (Set for 10 minute run time)

System Components:

- Premium Brass Regulator
- Zero Leakage Relief Valve
- Nitrogen Gas Cylinder
- Fabricated Steel Water Pressure Tank (ASME Certified)
- Water Level Gauge
- Brass Check Valve
- Discharge Manifold & Fittings
- Mounting Hardware

Dimensions:

- Discharge Pipe Size: 1 1/4" NPT
- Water Tank: 600 gallon
48" Diameter x 86" Tall
- Nitrogen Tank: 336ci. (Quantity - 2)
11" Diameter x 62" Tall
- Pad Size: 90" x 90" (Recomended)
- Weight: 1400# (Dry)

