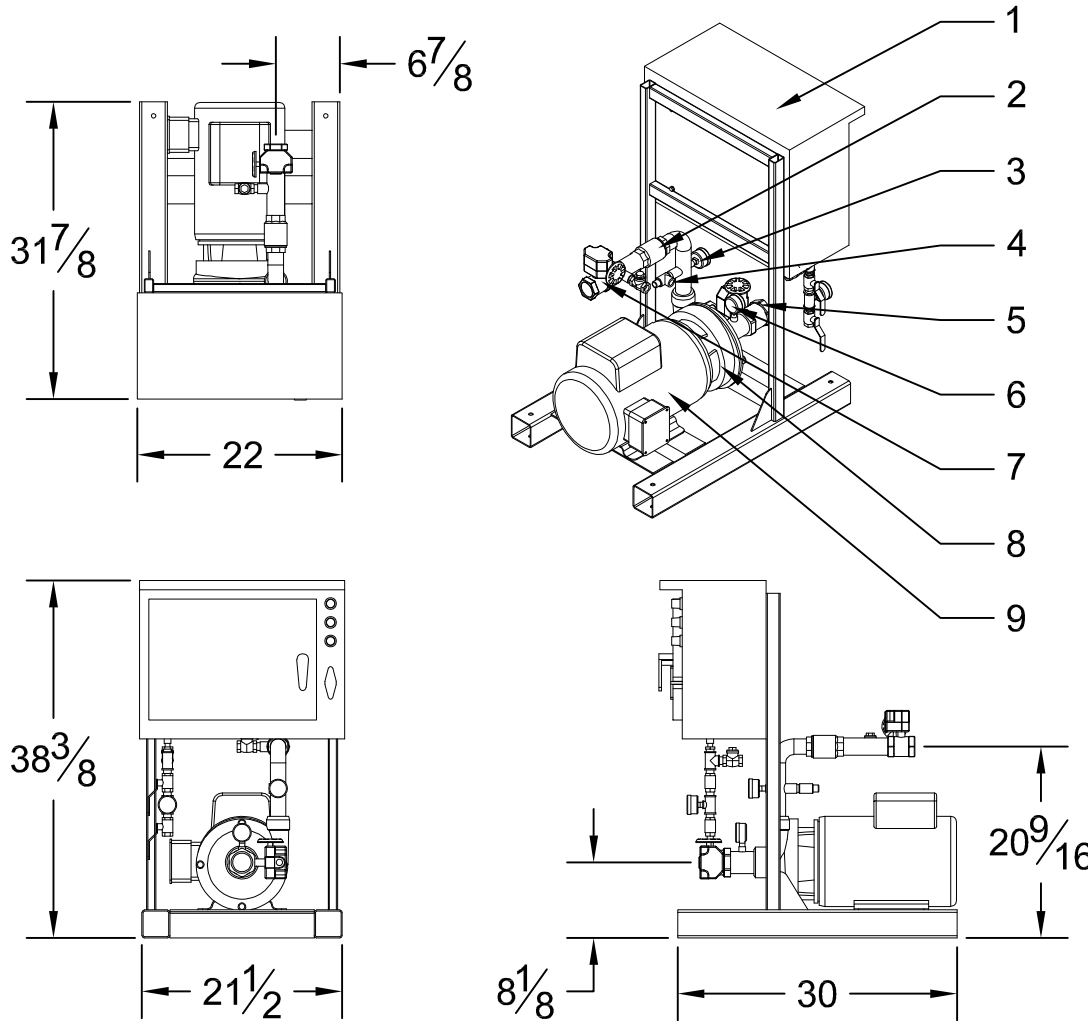


Residential Packaged Fire Pump System

# HDR-100

Heavy Duty Residential Package  
Design Condition: 100GPM @ 90PSI



## System Specifications:

- Motor
- 10 Horsepower Electric
- 230 Volt
- 46 Amp
- Single Phase
- 3450 RPM

- Pump
- End Suction Centrifugal Pump
- 2" Suction (NPT)
- 1 1/2" Discharge (NPT)
- 175 PSI max working pressure

- System Components
- 1- Residential Fire Pump Controller
- 2- Check Valve
- 3- Discharge Pressure Gauge
- 4- Case Relief Valve
- 5- Suction Monitored Butterfly Valve
- 6- Suction Pressure Gauge
- 7- Discharge Monitored Butterfly Valve
- 8- End Suction Pump
- 9- Electric Motor
- Not Shown- Copper Sensing Line (per NFPA20)

## Performance

Performance values based on multiple pump tests. Not for certification purposes.

GPM	0	25	50	75	100	125	150	175
PSI	93	93	93	91	90	86	82	75

Please Note: This fire pump system uses an unlisted pump & a residential controller.

Please submit to your AHJ for approval prior to ordering.